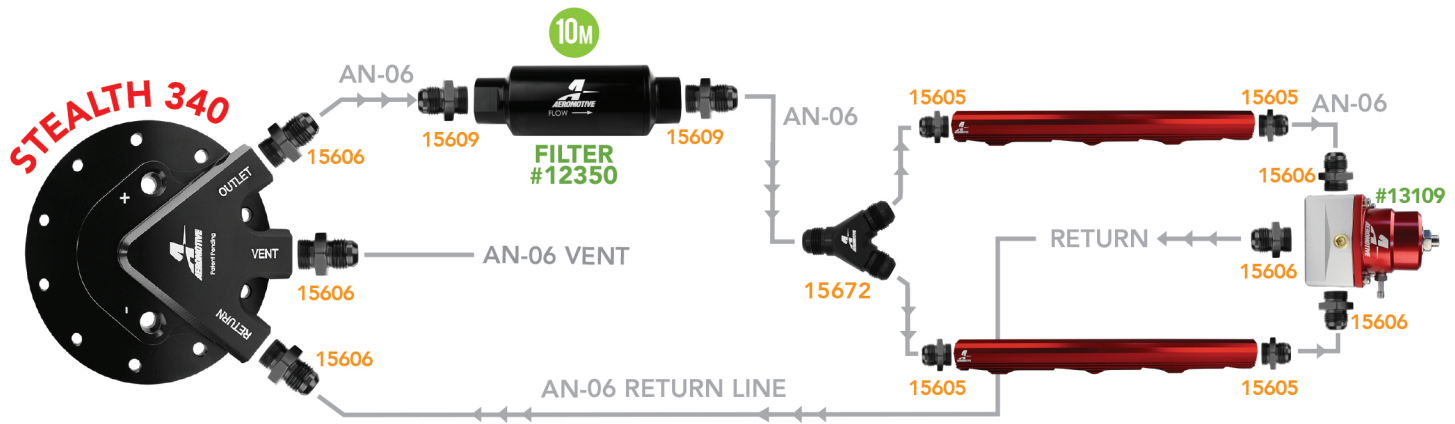


# STEALTH 340

FUEL INJECTED - DUAL FUEL RAIL

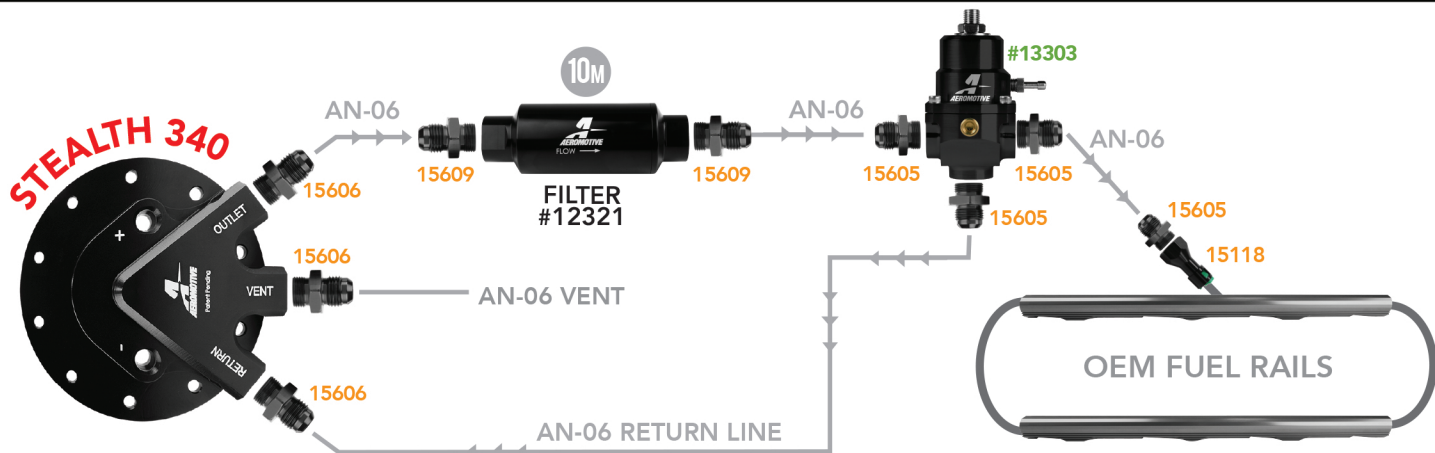
| *flywheel | Naturally Aspirated | Forced Induction |
|-----------|---------------------|------------------|
| GAS       | 850hp               | 700hp            |
| E85       | 595hp               | 490hp            |



# STEALTH 340

FUEL INJECTED - OEM FUEL RAIL

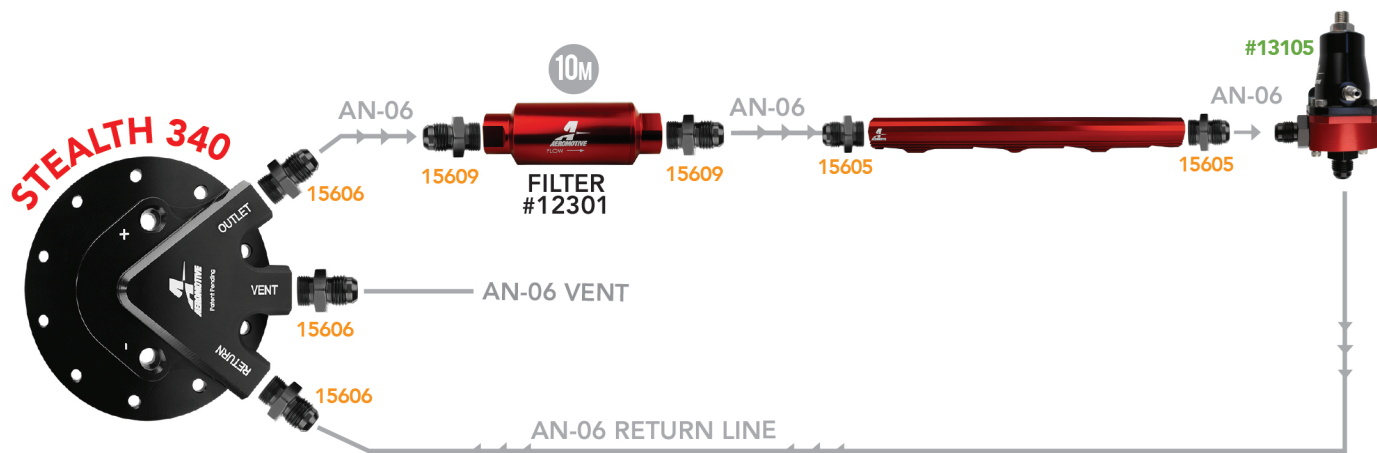
| *flywheel | Naturally Aspirated | Forced Induction |
|-----------|---------------------|------------------|
| GAS       | 850hp               | 700hp            |



# STEALTH 340

FUEL INJECTED - SINGLE FUEL RAIL

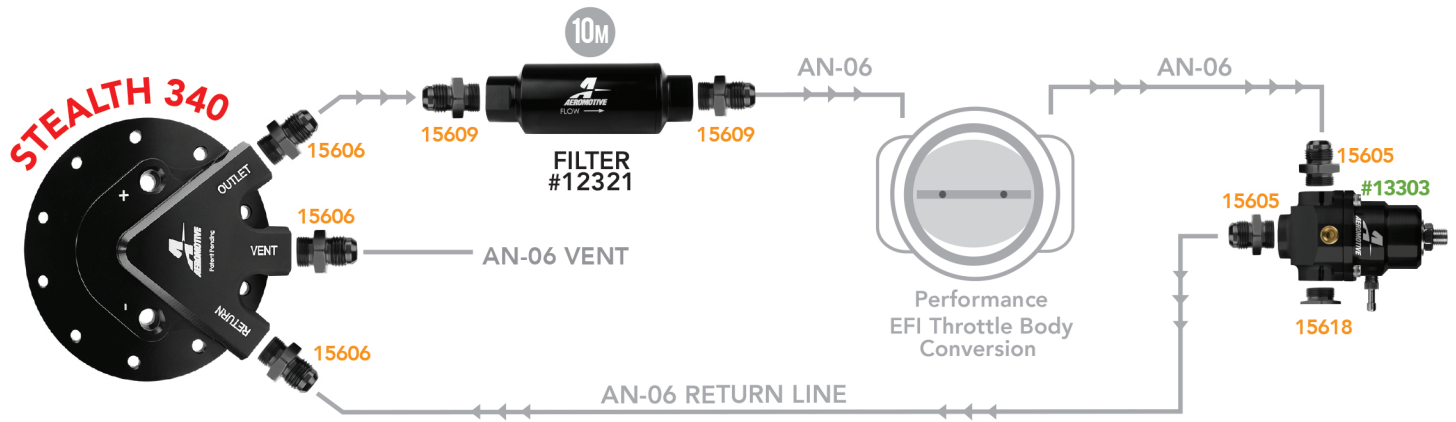
| *flywheel | Naturally Aspirated | Forced Induction |
|-----------|---------------------|------------------|
| GAS       | 850hp               | 700hp            |



# STEALTH 340

THROTTLE BODY EFI CONVERSION

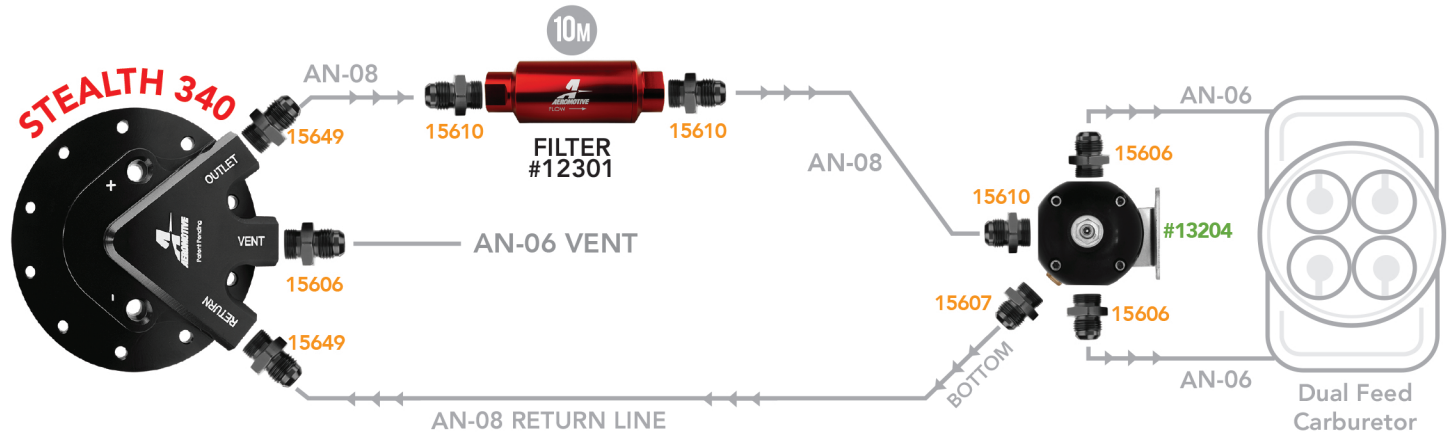
| *flywheel | Naturally Aspirated | Forced Induction |
|-----------|---------------------|------------------|
| GAS       | 850hp               | 700hp            |



# STEALTH 340

CARBURETED - DUAL FEED - SINGLE CARB

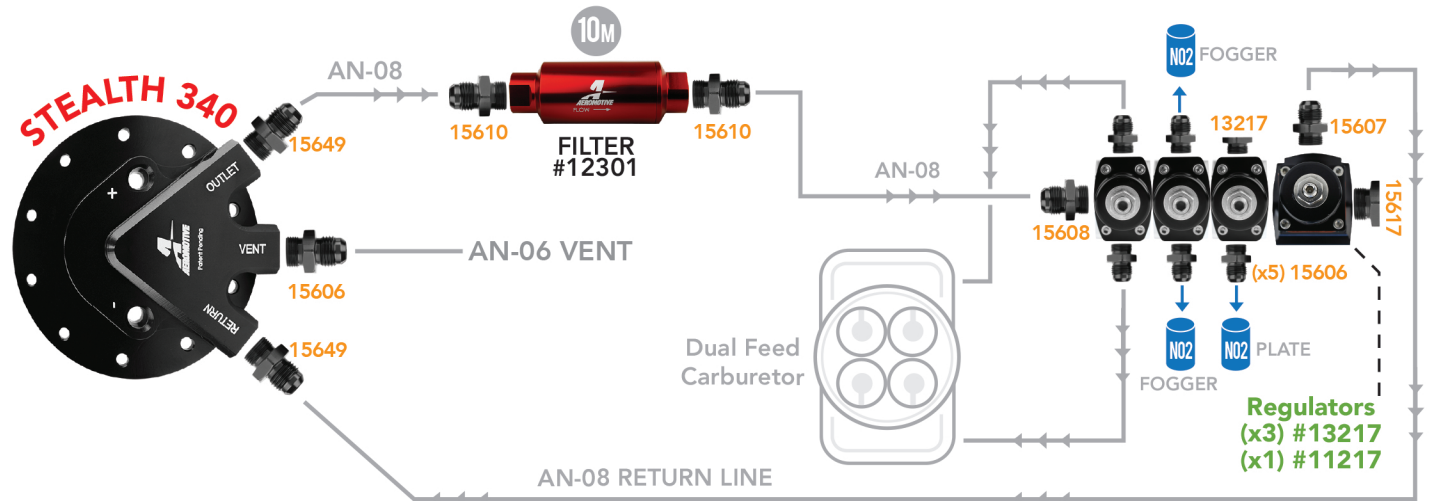
| *flywheel | Naturally Aspirated | Forced Induction |
|-----------|---------------------|------------------|
| GAS       | 1,000hp             | 850hp            |



# STEALTH 340

CARBURETED - TWO STAGE NITROUS

| *flywheel | Naturally Aspirated | Forced Induction |
|-----------|---------------------|------------------|
| GAS       | 1,000hp             | 850hp            |



**WARNING:** This product can expose you to chemicals, including chromium, which is known to the State of California to cause cancer or birth defects or other reproductive harm. For more information visit [www.p65warnings.ca.gov](http://www.p65warnings.ca.gov)