

INSTALLATION INSTRUCTIONS

HEI ELECTRONIC DISTRIBUTOR

These instructions apply to the following Jegs products:

Part #40000 HEI Distributor for standard deck height Chevrolet engines

The following parts are included in this package:

1 40000 Performance Distributor

HOW TO INSTALL YOUR ELECTRONIC DISTRIBUTOR

These distributors are direct bolt-in replacements but offer improved performance and fuel economy potential. Although installation is easy, reading these instructions **BEFORE STARTING THE INSTALLATION**, will assure that you'll be able to take maximum advantage of all the performance your distributor was designed to deliver.

Step 1 – After unpacking the distributor, check it for any damage that might have occurred during shipping, then remove the cap.

Step 2 – If the distributor to be replaced has not already been removed from the engine, pull the cap off. Unplug the pickup-to-coil harness from the cap. Do not remove the plug wires at this time. Crank the engine slowly until the rotor blade is pointed at a fixed point on the engine or firewall.

Step 3 – Unplug the distributor-to-ignition harness from the cap.

Step 4 – Note the position of the vacuum advance canister. Put a reference mark on the engine or firewall so that the new distributor may be easily installed in the same position.

Step 5 – Loosen and remove the distributor hold-down bolt and clamp. Lift the distributor out. If the engine has been running within the past few minutes, the distributor housing may be hot and coated with hot engine oil. Wrap a shop towel around the distributor to avoid burning your hands and dripping oil.

Step 6 – Lower the new distributor into position. The rotor should be pointing at the same fixed point as the discarded distributor and the vacuum canister aligned with the reference mark.

After the distributor has been lowered into place, you may find that it hasn't seated firmly against the support boss. This indicates that the lower end of the distributor shaft is not properly aligned with the oil pump drive rod. Do not attempt to force the distributor into position.

Step 7 – Reinstall the hold-down clamp and thread the bolt in just enough to exert a very slight pressure against the distributor. If the distributor is not firmly seated, rotate the engine until it drops down into place.

Step 8 – With the distributor properly seated, tighten the hold-down bolt just enough so that the distributor is held in place, but can still be rotated with a little effort. Again, make sure that the vacuum canister is aligned with the reference mark.

Step 9 – Remove the spark plug wires one at a time from the old cap and install them in the corresponding positions on the new one. It will also be necessary to transfer the coil and coil cover from the old cap to the new one. After all wires have been transferred, verify that the wire in the terminal post that is aligned with the rotor leads to cylinder number one. If you are unsure of cylinder number position or firing order, this information can be found in the service manual that covers your particular engine. Install the distributor cap.

Step 10 – Reconnect the pickup lead connector and the distributor-to-ignition harness into the new distributor cap.

Step 11 – Connect a timing light. Start the engine and allow it to warm up sufficiently to idle smoothly. It may be necessary to rotate the distributor (either clockwise or counter-clockwise) before a smooth idle can be achieved. If the engine will not idle smoothly, the firing order may be incorrect or the rotor may not have been properly aligned during installation. Consult a service manual for corrective procedures.

Step 12 – Consult the appropriate service manual to determine the factory recommended initial timing and idle speed. Set initial spark timing with the vacuum advance line disconnected and plugged. Advancing timing two to four degrees from the factory setting will usually provide improved performance and fuel economy. However, timing advance beyond factory specifications may result in detonation, which can cause engine damage. Listen carefully - if you hear the engine knocking or pinging, retard initial timing as required to eliminate it.

Step 13 – Insert a 3/32" hex wrench in the vacuum canister nipple and rotate the adjusting screw counter-clockwise until it bottoms against its stop, then turn four complete turns clockwise. This is approximately 7" dist. (14" eng.) at approximately 12" vacuum. This is a starting point for the vacuum advance adjustment. If surging or pinging is noticed at cruise RPM, turn the adjustment counter-clockwise until condition is no longer noticed. If more advance is needed, turn adjustment clockwise.

TIPS FOR INCREASED PERFORMANCE & GAS MILEAGE

Most distributors are equipped with two spark advance mechanisms. Centrifugal or mechanical advance is controlled by engine speed - as engine RPM increases, so does mechanical advance, up to a point. The total amount of mechanical spark lead (which varies according to the engine) is limited by a stop in the advance mechanism.

Vacuum advance is regulated by manifold vacuum which is a function of the load placed on the engine. Under light loads, such as when cruising at a steady speed on the highway, an engine can tolerate more spark advance than it can when under a heavy load such as when climbing a hill or accelerating at wide open throttle.

To optimize full throttle acceleration, a relatively rapid mechanical advance rate is required. This may be accomplished by replacing the existing springs with lighter ones. When experimenting with mechanical advance rates, first disconnect and plug the vacuum advance line. Then determine which combination of springs provides the quickest curve, yet allows full throttle acceleration in high gear without pinging or knocking. You may find it necessary to mix spring rates.

Once the optimum mechanical advance rate is established, vacuum advance rate may be adjusted. Again, the procedure is to run as much advance as the engine will tolerate without detonating. To increase the vacuum advance rate, insert a 3/32" hex wrench in the canister nipple and rotate it clockwise. Road test the car by accelerating at different rates, using part throttle in high gear. (High gear is suggested because lacking the torque multiplication of the lower gears, engine load is highest.)

If the engine does not ping or surge, insert the hex wrench in the canister nipple and rotate the adjusting screw in the clockwise direction. Road test the car again. If detonation is still not evident, repeat the adjustment/road test procedure until it is. Then slow down the vacuum advance rate by rotating the adjusting screw counter-clockwise, one turn at a time, until evidence of surge disappears.

Your distributor is now calibrated to provide the optimum combination of performance and fuel economy. Insist on quality Jegs parts for all your starting, charging and ignition system needs.



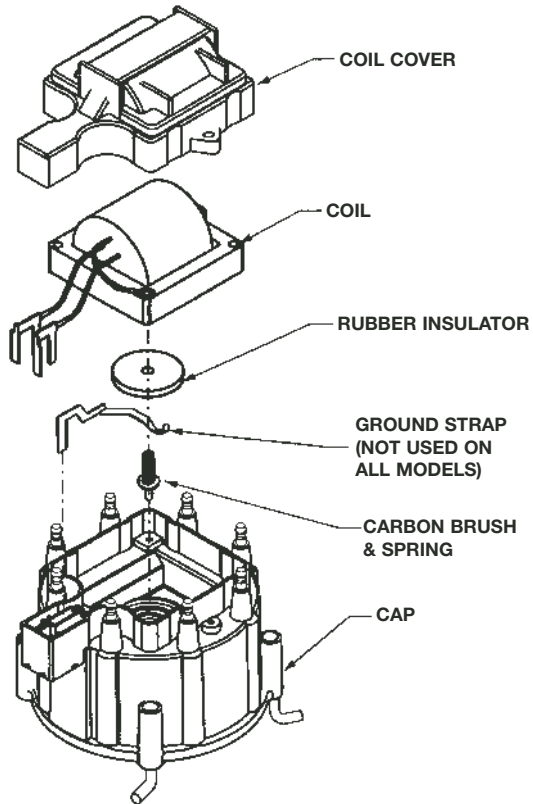
1-800-345-4545

jegs.com

INSTALLATION INSTRUCTIONS

DISTRIBUTOR CAP - IGNITION COIL REPLACEMENT

Part # 40001 Ignition Coil



DISTRIBUTOR CAP COMPONENTS

GENERAL INFORMATION

1. Disconnect the feed and module connectors from the distributor cap.
2. Remove the spark plug wire retainer, if so equipped.
3. Remove the coil cover. Retain the screws and cover.
4. Using needle nose pliers, lift the coil leads out of the distributor cap.

IF REPLACING CAP ONLY

1. Depress and twist to release the four distributor cap retaining screws. Remove the cap from the distributor.

2. Install the new carbon brush and spring in the cap. It is recommended to apply silicone grease to the rubber washer for a better seal, then place the washer into position in the cap.
3. Install coil following the above instructions and making sure the leads are in position as indicated in the illustration.
4. Reinstall original coil mounting screws, coil cover, cover retaining screws, and distributor cap on distributor.
5. Reinstall spark plug wires and retaining rings (if applicable) then reconnect feed and module connectors to the distributor cap.

IF REPLACING COIL ONLY

1. Remove and discard the original rubber washer and clean the coil cavity thoroughly.
2. Before installing the new washer, it is recommended to apply silicone dielectric grease to both sides of the washer for a better seal.
3. Place the greased washer into the cleaned cap making sure the carbon brush and spring are in position first, then place the coil in position. Be sure to reinstall ground strap or ground wire.
4. Place coil leads in the cap as shown and reconnect the feed and module connectors to the cap.
5. Reinstall coil cover, wires, and retaining ring if used.

NOTE: TO PREVENT DAMAGE TO THE CAP, USE THE SCREWS PROVIDED WITH THE COIL. TOO LONG SCREWS WILL PUNCTURE CAP CAUSING A SHORT TO GROUND IN THE SECONDARY.

