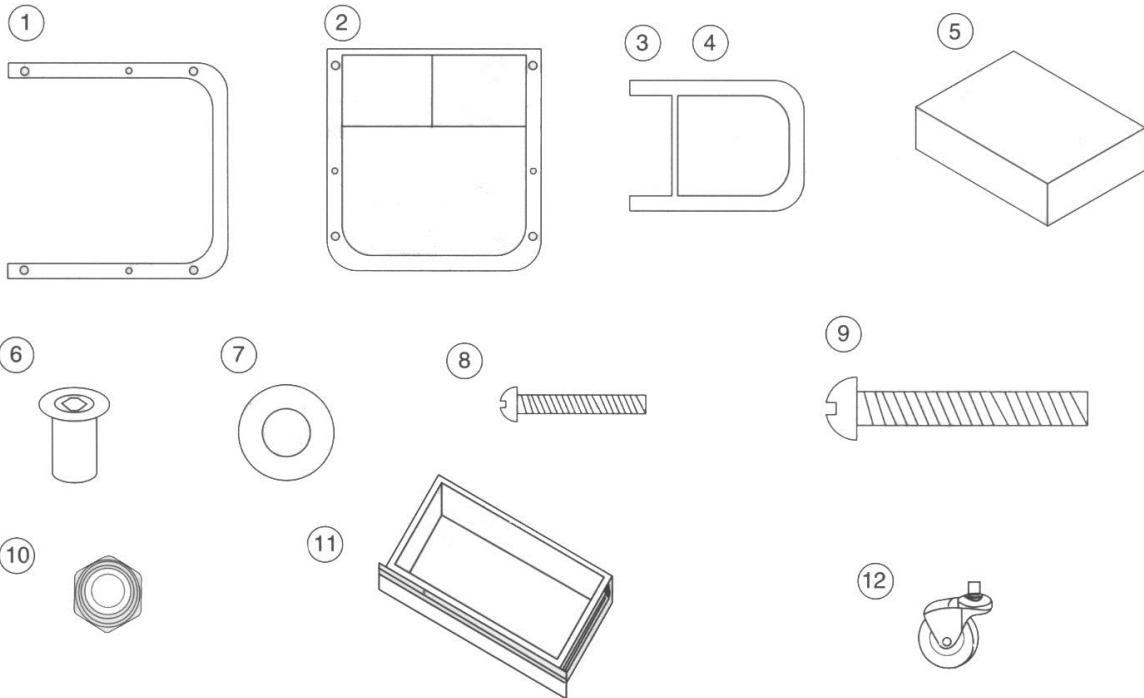
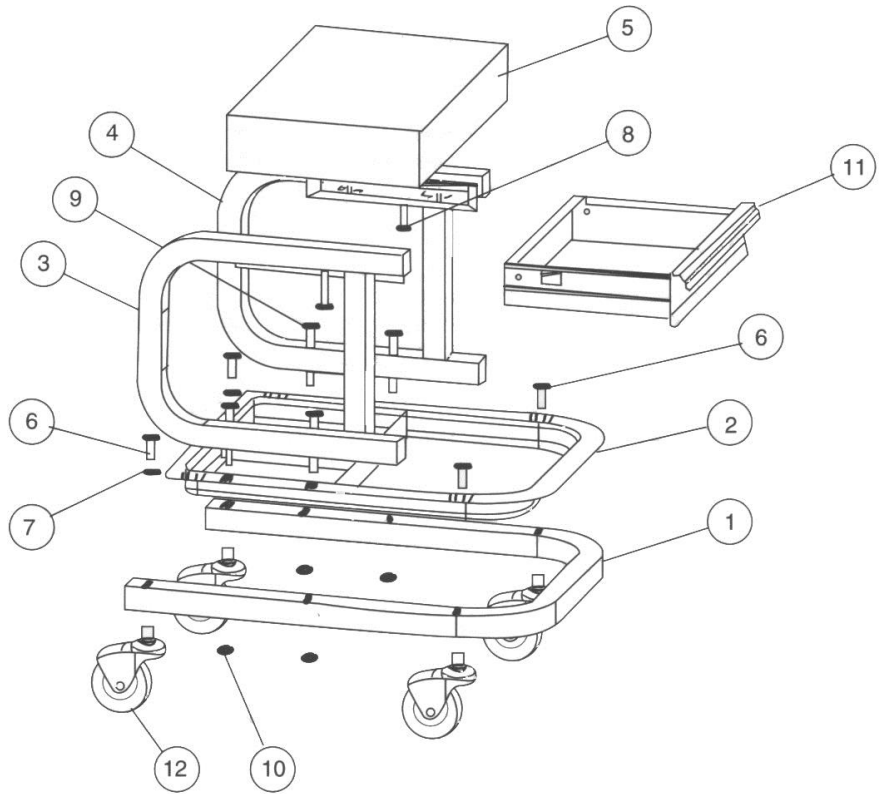


Installation Instructions for 81150 Creeper and Seat Set

PART NO.	DESCRIPTION	QTY
1	Horizontal U-frame	1
2	Tool Tray	1
3	Left Side Frame	1
4	Right Side Frame	1
5	Seat Pad	1
6	Caster Nut	4
7	Washer	2
8	Bolt	2
9	Long Bolt	4
10	Locknut	4
11	Drawer	1
12	Caster	4



1-800-345-4545 jegs.com

ROLLER SEAT WITH TOOL DRAWER

Operating Instructions And User Cautions

ASSEMBLY INSTRUCTIONS

1. Secure necessary tools and lay parts out in clean work area.

Diagram 1

2. Put tool tray (2) onto the position with round corner to the front of horizontal U-frame (1).
3. Insert Caster (12) into provided holes on U-frame and tool tray from below, then secure caster nut (6) and washer (7) from top with provided hex key wrench. Pls ensure the part of U-frame (1), tool tray (2) and Caster (12) have been assembled into a whole.

Diagram 2

4. Lay seat pad (5) on flat surface with face down.
5. With top side of left side frame (3) position to the seat pad (5), align holes in left side frame (3) to the seat pad (5), secure the left side frame (3) to seat pad (5) with bolt (8), pls check the direction of side frame and do not over-tightened when assembly at this time.
6. Match the sliding-groove of drawer (11) with the fixed left side frame (3), then match the other side and secure the right side frame (4) to the other side of seat pad (5) with bolt (8). Tightened all the bolts.

Diagram 3

7. Turn the completed unit (seat pad and side frame) upside down, then secure it to the horizontal U-frame (1) with long bolt (9) and locknut (10), tightened all the bolts.

Diagram 1

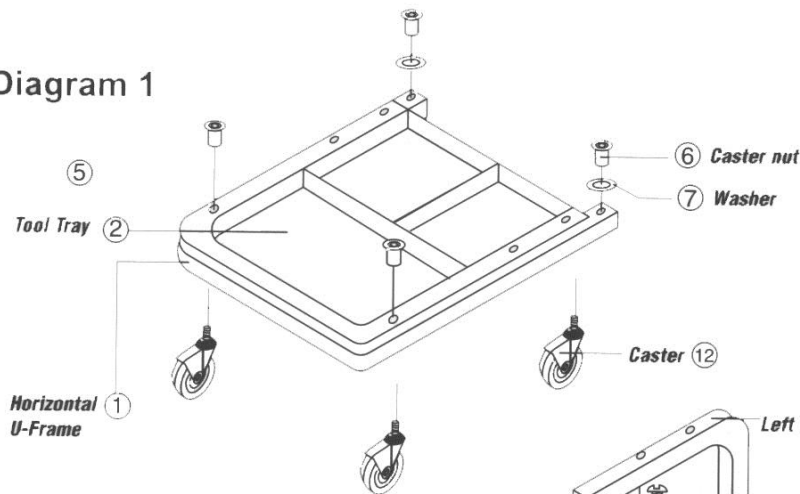


Diagram 2

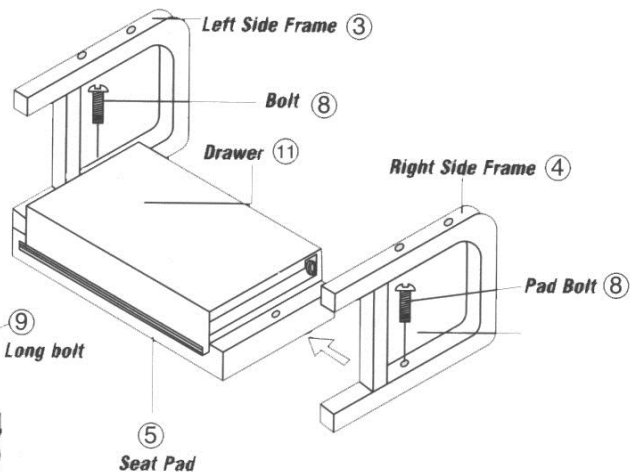


Diagram 3

