

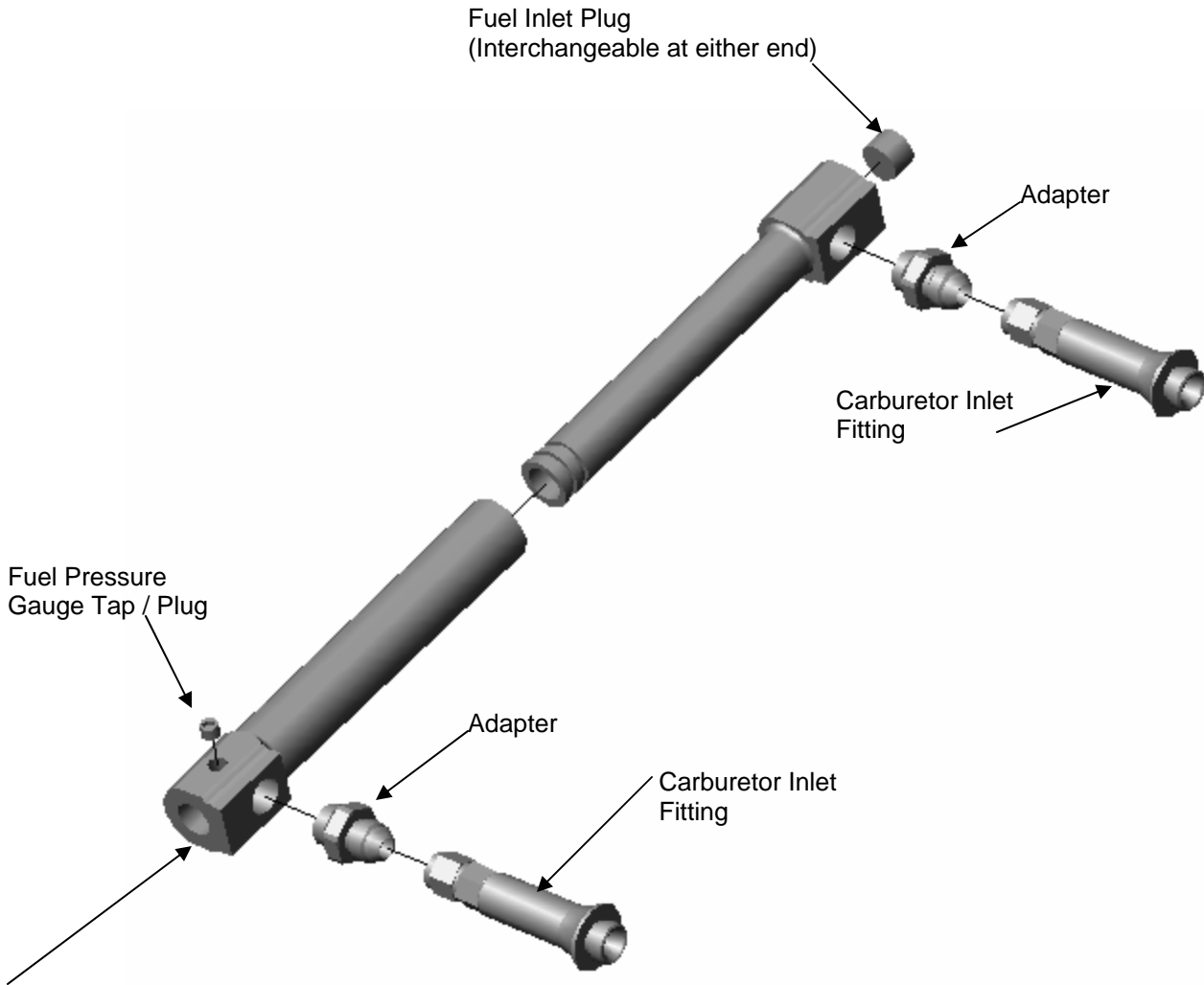
Installation Instructions for 15195, 15196, 15197 & 15198

Adjustable Fuel Log (For dual feed style Holley® 4150, Dominator®, Quick Fuel & Proform or BG/Demon carburetors)

BE CAREFUL – DO NOT OVERTIGHTEN THE THREADED FITTINGS!

WARNING!

Check for leaks before starting your vehicle. Take precautions when working with gasoline – It is a fire hazard and is potentially explosive.



Fuel Supply Inlet Fitting Required (Not Included)

- 555-110162 # 8 Port to # 6 Flare
- 555-110163 # 8 Port to # 8 Flare
- 555-110164 # 8 Port to # 10 Flare



1-800-345-4545 jeps.com