

In-Tank Pump

DW200 (9-201, 9-202, 9-203)



- 9-201 Standard (As Pictured)
- 9-202 Includes 3/32" Venturi Outlet
- 9-203 Includes 1/8" Venturi Outlet

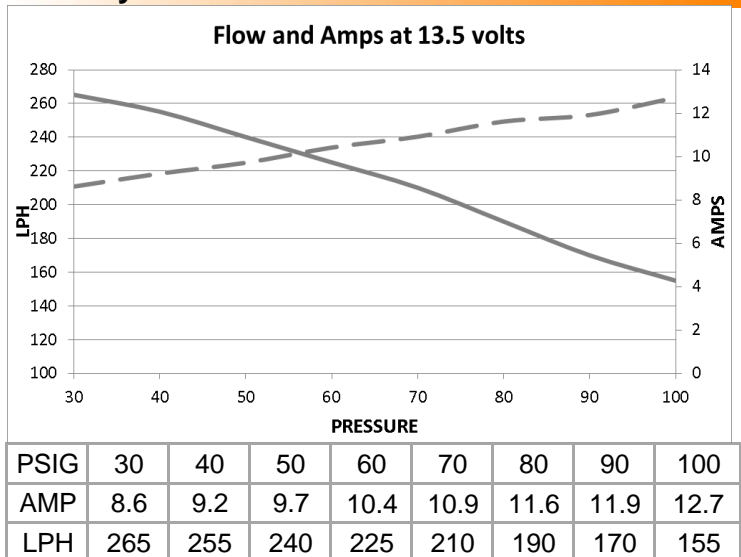
To ensure maximum voltage at the pump, a 12-gauge hardwire kit is strongly recommended for optimum performance (DeatschWerks part #FPHWK)

Specifications

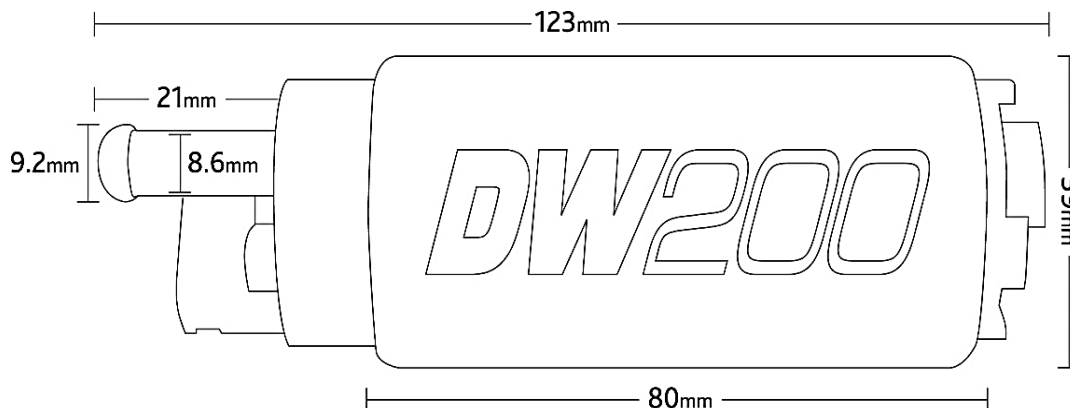
Weight	12.6oz (360 grams)
External Materials	Electroplated Steel
Inlet Fitting	7.7mm ID, 11.0mm OD
Outlet Fitting	5/16" Hose Clamp
PRV Activation	100 psi
Impeller Design	Single Scroll Composite Turbine
Connector Terminal	Spade Pos/Neg
Min Voltage Input	6 Volts
Max Voltage Input	18 Volts
Current Draw 40psi	9 Amps (13.5v)

The DW200 flows 255lph at 40psi and is a popular choice for many high performance applications which can be fitted with a standard fitment pump. The DW200 features a quiet and reliable turbine impeller which is compatible with pulse width modulated pump drivers. The pump also features an encapsulated armature for compatibility with ethanol based fuels. All DW fuel pumps are backed by a 3-yr no fault warranty.

Delivery Characteristics



Dimensions



THIS PRODUCT MAY BE USED SOLELY ON VEHICLES USED IN SANCTIONED COMPETITION WHICH MAY NEVER BE USED UPON A PUBLIC ROAD OR HIGHWAY, UNLESS PERMITTED BY SPECIFIC REGULATORY EXEMPTION