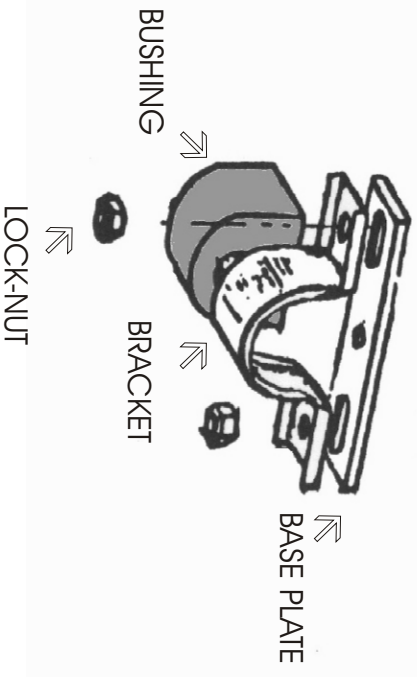
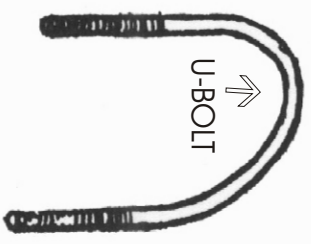
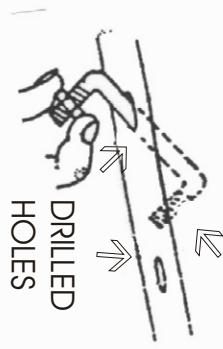
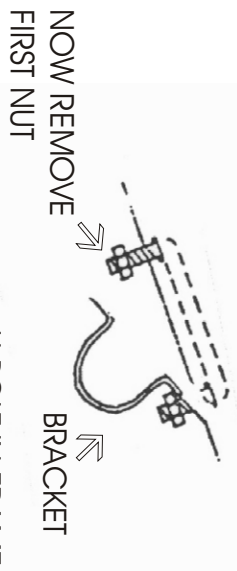
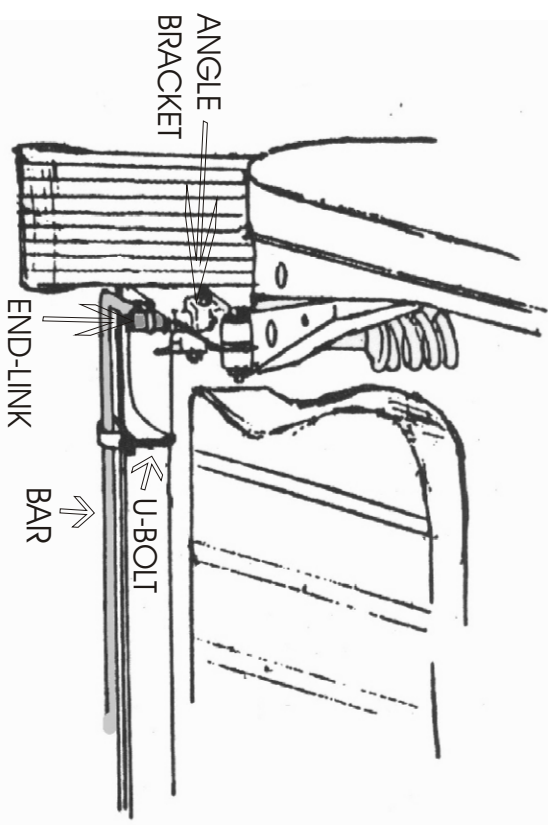
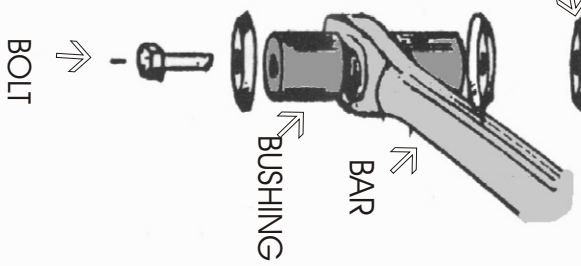
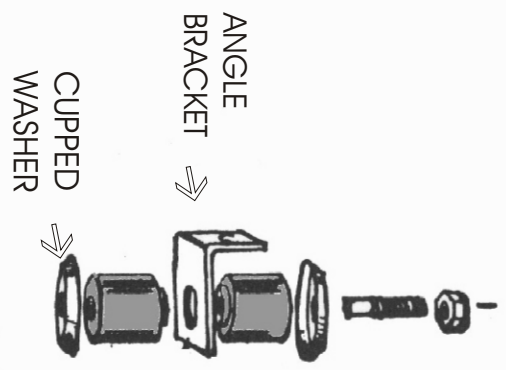


# DIRECTION 490 ECLIPSE---TALON



## END-LINK DETAIL



## **DIRECTIONS 490**

- Step #1.** Place the U-bolts over the axle as shown. Place the D-bushings on the bar so they will center under the U-bolts.
- Step #2** With the bar arms facing forward, raise the mid-section of the bar and insert the base plate between the top (flat side up) of the D-bushing and the bottom of the axle, engaging the legs of the U-bolt. Follow with the bar bracket, and start the lock-nuts. Repeat of the other side.
- Step #3.** Bolt the angle bracket to the inside of the suspension arm to the existing hole. **Note:** The illustration for the correct orientation of the angle bracket. Use the 3/8" bolts and lock-nuts provided.
- Step #4.** Assemble the end-link as illustrated so as to connect the angle bracket to the bar eye. Do not over-tighten the nut on the end-link. The assembly should be snug, but the bushings should not be distorted.
- Step #5.** Check all fastening for suitable tightness. The angle bracket bolts should be to 25 ft./lbs. The U-bolt nuts to 10 ft./lbs.
- Step #6.** The installation is now complete. Check for clearance throughout the suspension travel distance by bouncing the rear, and check the movement of all parts. Test drive the car to accustom yourself to its new handling. As we cannot supervise your installation or your driving, we cannot be held responsible for more than the cost of the kit.

### **HARDWARE**

2	<b>RH 040</b>	<b>Brackets</b>
2	<b>RH 508</b>	<b>Bushings</b>
2	<b>RH 031</b>	<b>Plates</b>
2	<b>RH 406</b>	<b>U-Bolts</b>
4	<b>RH 307</b>	<b>Lock-Nuts</b>
6	<b>RH 104</b>	<b>Washers</b>
2	<b>RH 013</b>	<b>End-Links</b>
2	<b>RH 304</b>	<b>Lock-Nuts</b>
2	<b>RH 022</b>	<b>Angles</b>
2	<b>RH 214</b>	<b>Bolts</b>