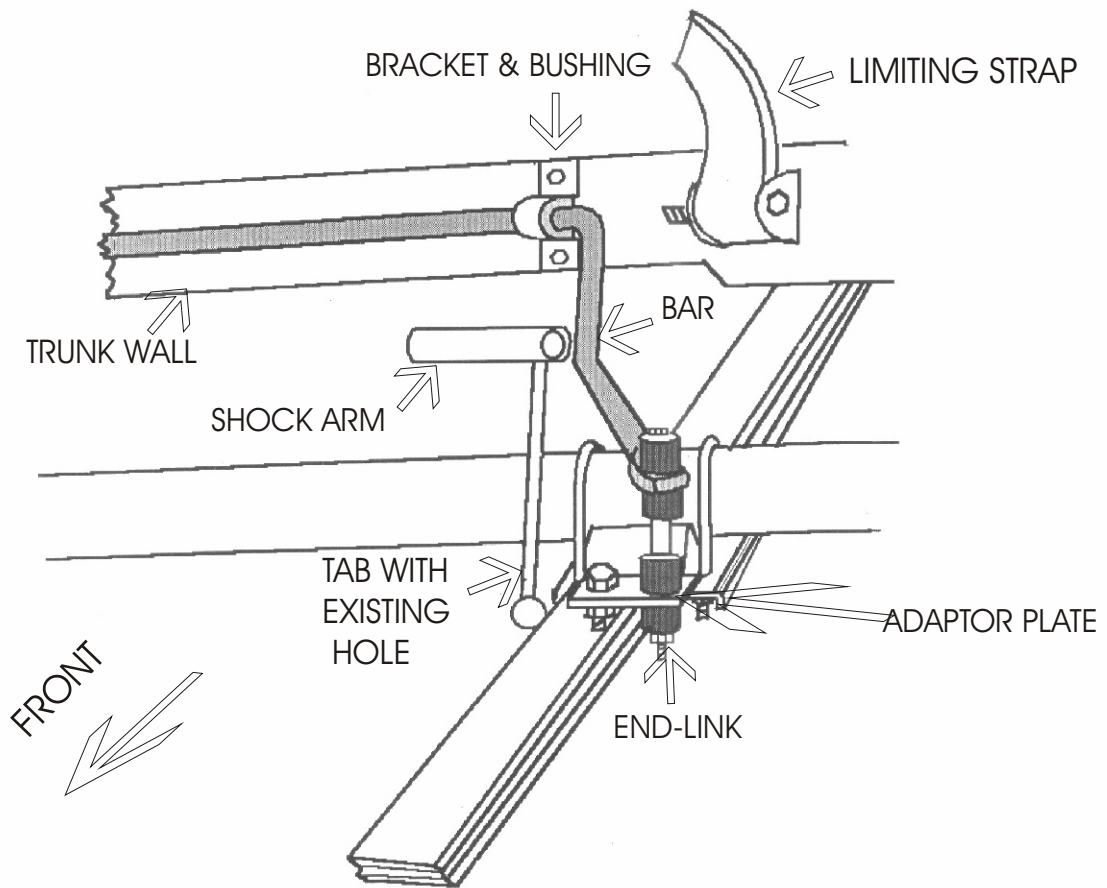


# DIRECTION 917



**Directions #917**

- Step #1.** Place the adaptor plates on the spring saddle "Tabs" with existing holes just forward of the spring seat. With the short bolt provided, attach the plates to the spring saddle tab as shown.
- Step #2.** Place bar in position above, and to the rear of the axle, arms coming forward over the axle. Slip rubber bushing onto the bar near the shoulders, and position the bar bracket over the bushing so it seats on the vertical trunk wall (inside the trunk) and two holes drilled from inside the trunk; one to hold backing plates as templates when drilling.
- Step #3.** Pass the 4 5/16" bolt through from the trunk, through the two back plates provided and then pass them through the drilled holes. From under the car, position the bar bracket over the bolts and start the nuts on them. With the bushings on position under the bracket, place a vise-grip or box wrench on the nuts, and turn bolts from inside the trunk until the assemblies are tightened down.
- Step #4.** Assemble end-links so as to connect the bar eye and the large hole in the adaptor plate. The rubber bushings go next to the adaptor plate and the bar, and the cupped washer goes next to the tube spacer at the top and bottom of the assembly. Tighten nut on bottom of the assembly only enough to keep assembly snug. Do not over-tighten, for this will distort the bushing.
- Step #5.** The kit is now installed. Check the bolts in the bar bracket and be sure that they are fully tightened. Bounce the rear of the car to make sure that the installation clears throughout the suspension travel distance. Road test the car to accustom yourself to your cars new handling. As we cannot supervise your installation (or your driving!), we cannot be held responsible for more than the cost of the kit. Note: For best control and handling this kit should be used in conjunction with our front kit.

**KIT CONTAINS:**

2 RH 015 End-links	4 RH 200 Bolts
2 RH 218 Bolts	6 RH 307 Nuts
2 RH 031B Plates	2 RH 046C Brackets
2 RH 033 Plates	2 UB 611B Bushings
4 RH 104 Washers	