

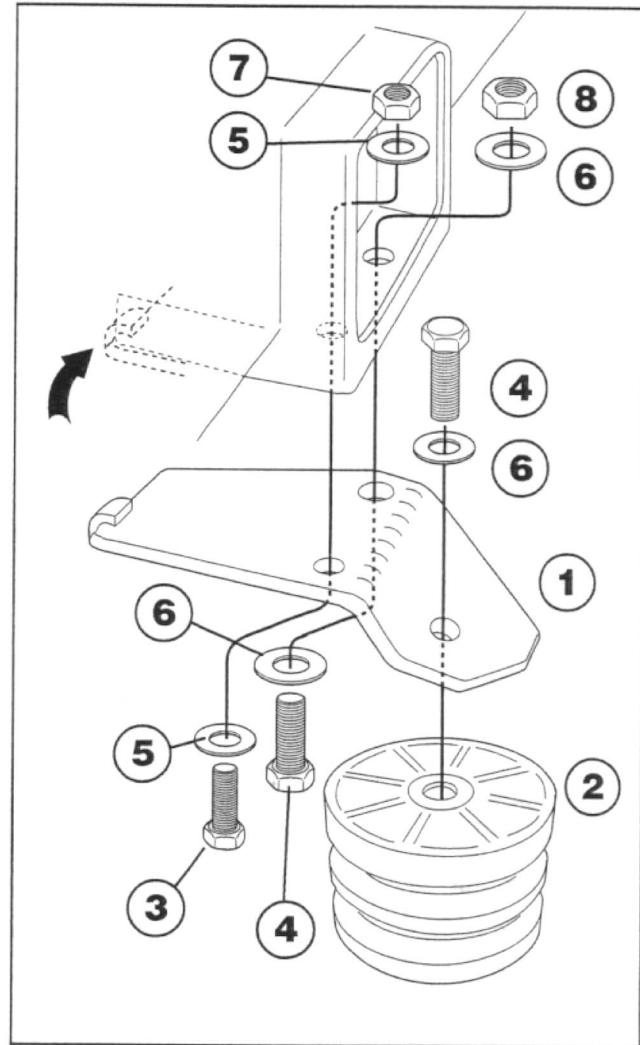
## Kit No. 52100

Please read these instructions completely before proceeding with installation

### INSTRUCTIONS

1. Raise vehicle and remove stock jounce bumpers.
2. Remove lower shock bolt and lower the control arm for clearance.
3. Install the bracket to the vehicle as shown, using the existing jounce bumper holes.
4. Attach the AirCell to the bracket as shown.
5. Reinstall bolt in lower shock mount.
6. Lower vehicle.

NOTE: Turn wheels fully in both directions to make sure there is no interference with the AirCells. Care must be taken to ensure AirCells do not interfere with hydraulic brake lines, etc. in the loaded condition.



### Parts List

Item	Description	Qty.
1	Bracket, 1 ea. LH, RH	2
2	AirCell	2
3	3/8"-16 x 1-1/4" Bolt	2
4	7/16"-14 x 1-1/4" Bolt	4
5	3/8" Washer	4
6	7/16" Washer	6
7	3/8" Locknut	2
8	7/16" Locknut	2



Air Lift Company  
2727 Snow Road  
Lansing MI 48917  
(517) 322-2144  
(517) 322-0240 FAX

**FOR TECHNICAL ASSISTANCE  
CALL 1-800-248-0892**