



BESTOP
www.bestop.com

Rear Bench Seat Cover Installation Instructions

For: TJ Wrangler '03-Current and Unlimited '04- Current

Part Number: 29229

Parts List

Seat Back Cover, Qty - 1
Seat Bottom Cover, Qty - 1

Warning: DO NOT remove the seat from the vehicle to install Rear Seat Cover.

Seat Covers are not waterproof.

Warning:

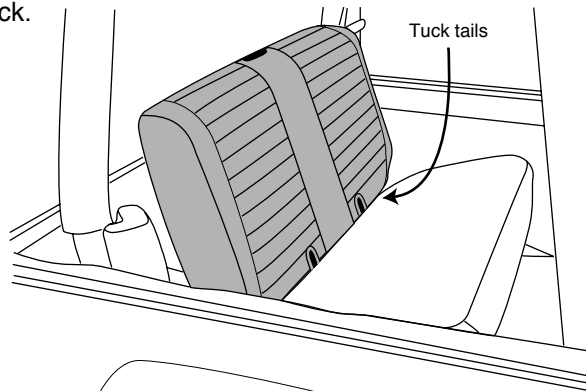
This Rear Bench Seat Cover is designed to enhance the appearance of the vehicle. Do not rely in any way on the components of the Seat Cover to contain occupants within the vehicle, or to protect against injury or death in the event of an accident. The Seat Cover will not protect the occupants from falling objects. Never operate vehicle in excess of manufacturer's specification.

Wear seat belts at all times.

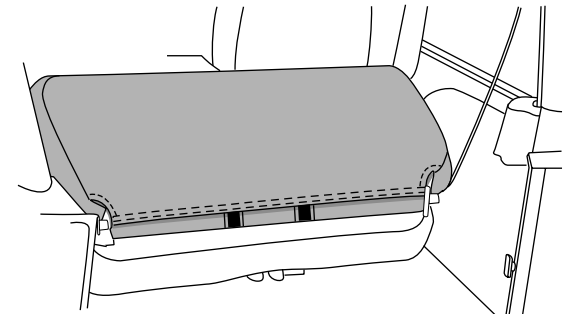
Read and follow, precisely, all installation instructions provided when installing the Seat Cover. Failure to do so may result in a poor fit and could place occupants of the vehicle in a potentially dangerous situation.

Step One

Orient the Seat Cover with the quilting toward the front of the seat and the opening along the bottom. Slip the cover over the top of the seat. Engage the release latch and tilt the seat forward slightly to increase an opening between the upper and lower seat. Tuck the front tails through the opening towards the back.



Seat Back Installation

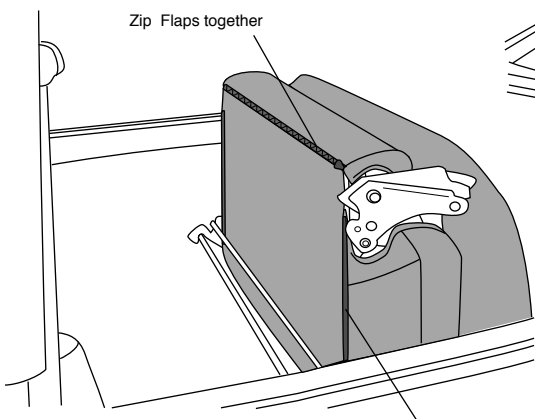


Step Two

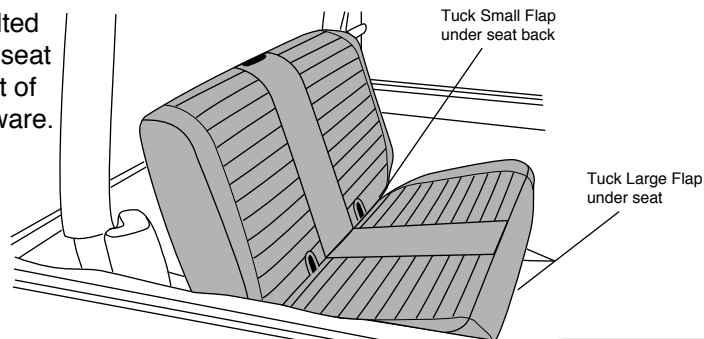
Fold the back of the seat forward and fasten the hook and loop strips to each other. Fasten along the side corners and the bottom of the cover.

Step One

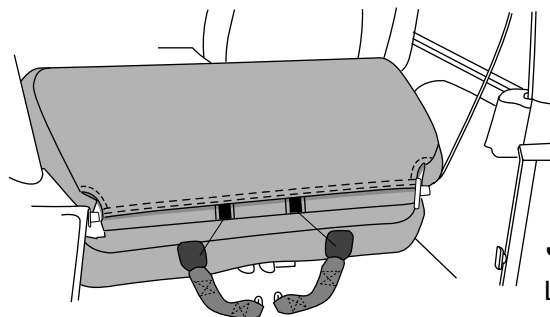
Place the bottom cover over the seat quilted side up. Tuck the smaller flap under the seat back. Tuck the larger flap under the front of the seat, between the seat and the hardware.



Seat Bottom Installation

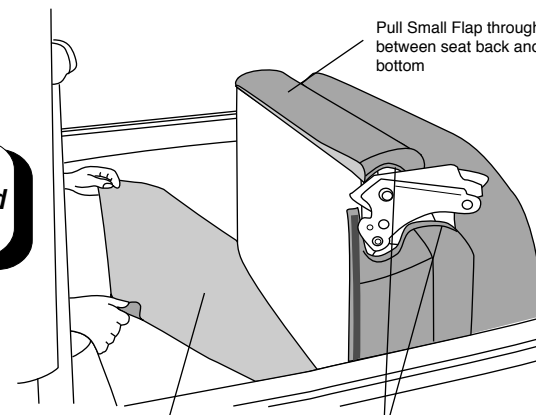


Note: Make sure the large flap is between the seat and the hardware.



Step Two

Fold the seat back down and tumble the seat forward to access the bottom. Pull the small flap, that is between the upper and lower seat through letting the sides curve around the hardware. Wrap the seat sides around to the bottom tucking it's edges around the hardware. Pull the large flap up and align the hook to the loop of the sides.



Pull Large Flap up along bottom of seat.

Step Three

Pull the large flap up and align the hook to the loop of the sides. Zip together the small and large flaps.

Line up the Hook on the large flap to the Loop on the sides.

Step Four

Locate the center seat belts mounted to the back floor and insert them through the holes in the Seat Cover

LIMITED WARRANTY

We warrant our Seat Covers to be free from defects in material and workmanship, for the terms specified below, provided there has been normal use and proper maintenance. This warranty applies to the original purchaser only. All remedies under this warranty are limited to the repair or replacement of any item or items found by the factory to be defective within the time period specified.

If you have a warranty claim, first you must call our factory at the number below for instructions. You must retain proof of purchase and submit a copy with any items returned for warranty work. Upon completion of warranty work, if any, we will return the repaired or replaced item or items to you freight prepaid. Damage to our products caused by accidents, fire, vandalism, negligence, mis-installation, misuse, Acts of God, or by defective parts not manufactured by us, is not covered under this warranty.

THE WARRANTY TIME PERIOD IS AS FOLLOWS: ALL "SOFT GOODS" MANUFACTURED BY OUR COMPANY (USING PRIMARILY VINYL, PLASTICS, AND/OR FOAM): ONE YEAR FROM DATE OF PURCHASE.

ANY IMPLIED WARRANTIES OF MERCHANTABILITY AND/OR FITNESS FOR A PARTICULAR PURPOSE CREATED HEREBY ARE LIMITED IN DURATION TO THE SAME DURATION AND SCOPE AS THE EXPRESS WRITTEN WARRANTY. OUR COMPANY SHALL NOT BE LIABLE FOR ANY INCIDENTAL OR CONSEQUENTIAL DAMAGE.

Some states do not allow limitations on how long an implied warranty lasts, or the exclusion or limitation of incidental or consequential damages, so the above limitations or exclusions may not apply to you.

This Warranty gives you specific legal rights, and you may also have other rights which vary from state to state.

For further information or request for warranty work, please contact: Bestop Inc.
Customer Service
(800)845-3567
(303)465-1755

*All or a portion of this product may be made in China.