



Installation Instructions Windjammer

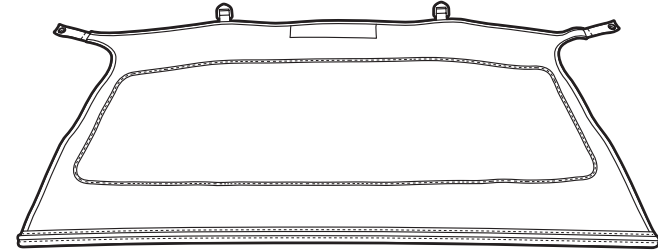
Vehicle Application:
Jeep® JL Wrangler 2018-Current
Part Number 80050 (Requires #52603-01)

Installation Tips

Before you begin installing your new Windjammer, please read all the instructions thoroughly.








WARNING Do not rely in any way on the components of this product to protect against injury or death in the event of an accident. Never operate the vehicle in excess of manufacturer's specifications.

Read and follow, precisely, all installation instructions provided when installing this product. Failure to do so may result in a poor fit and could place occupants of the vehicle in a potentially dangerous situation.



WEAR SEAT BELTS AT ALL TIMES

CAUTION Safety glasses should be worn at all times when installing this product.

Tools			Installation Time	Support
 Safety Glasses	 T40 Torx Wrench (included in your Jeep tool kit)	 Phillips Screwdriver	 30 minutes	We're here to help! Go to: https://www.bestop.com and click on Need Help?
		 Torx Driver	Skill Level  1 - Easy	
				 https://www.bestop.com/video-library



Installation Instructions Windjammer

Vehicle Application:
Jeep® JL Wrangler 2018-Current
Part Number 80050 (Requires #52603-01)

Sugerencias de Instalación

Antes de empezar a instalar esta unidad, lea atentamente todas las instrucciones.

Para un buen ajuste:

Para facilitar la instalación, el producto debe instalarse a temperaturas superiores a 72 °F (22 °C).

Por debajo de esta temperatura, la tela puede encogerse una pulgada o más, lo que dificultaría su ajuste al vehículo.

Es normal que la tela se contraiga o arrugue cuando está guardada en la caja de empaque. A los pocos días después de la instalación, la tela se relajará y las arrugas desaparecerán.



ADVERTENCIA

Este producto se diseñó principalmente para mejorar la apariencia del vehículo y proteger a los ocupantes de las condiciones climáticas comunes. De ninguna manera piense que los componentes de este producto pueden servir como medio de contención para los ocupantes del vehículo o que pueden protegerlos contra lesiones o la muerte en caso de accidente. Este producto no protegerá a los ocupantes contra caídas de objetos. Nunca conduzca este vehículo fuera de las especificaciones del fabricante.

USE LOS CINTURONES DE SEGURIDAD EN TODO MOMENTO

Lea y siga con precisión todas las instrucciones de instalación que se proporcionan para instalar este producto. Si no lo hace, podría producirse un mal ajuste que colocaría a los ocupantes del vehículo en una situación potencialmente peligrosa.



PRECAUCIÓN

Debe usar gafas protectoras en todo momento durante la instalación de este producto.

Conseils pour l'installation

Lire toutes les instructions au complet avant de commencer l'installation de cet assemblage.

Pour un ajustement sans problème :

Afin de faciliter l'installation, ce produit doit être installé à des températures au-dessus de 72 °F (22 °C).

Sous cette température, le tissu peut rétrécir d'un pouce (2,5 cm) ou plus, ce qui rendra l'ajustement sur le véhicule difficile.

Il est normal que le tissu rétrécisse et plisse pendant qu'il est dans la boîte d'expédition. En quelques jours après l'installation, le tissu se détendra et les plis disparaîtront.



AVERTISSEMENT

Ce produit est conçu principalement pour améliorer l'apparence du véhicule et pour protéger les occupants des conditions météorologiques usuelles. Ne jamais se fier aux composants de ce produit pour se protéger de blessures ou de la mort en cas d'accident. Ce produit ne protégera pas les occupants des chutes d'objets. Ne jamais utiliser le véhicule au-delà des caractéristiques techniques indiquées par le fabricant.

PORTER UNE CEINTURE DE SÉCURITÉ EN TOUT TEMPS

Lire et suivre, très fidèlement, toutes les instructions d'installation fournies lors de l'installation de ce produit. Ne pas suivre cette consigne peut causer une installation inadéquate et mettre les occupants du véhicule dans une situation potentiellement dangereuse.



MISE EN GARDE

Des lunettes de sécurité doivent être portées en tout temps lors de l'installation de ce produit.



Installation Instructions Windjammer

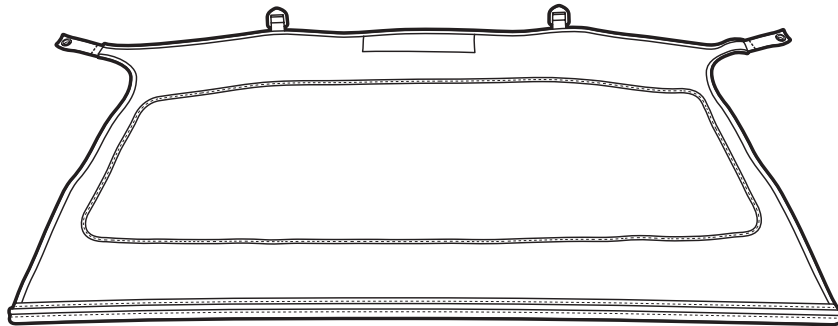
Vehicle Application:
Jeep® JL Wrangler 2018-Current
Part Number 80050 (Requires #52603-01)

Parts List

- Required parts for installation - Page number in Installation Guide

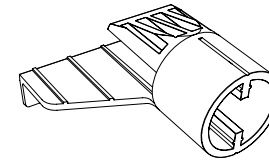
Sections 1 to 5 Windjammer, T25 Torx Bit, Buckle Straps

Pages 4 to 8 of Guide

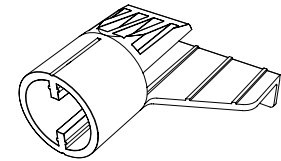


Windjammer
Qty. 1

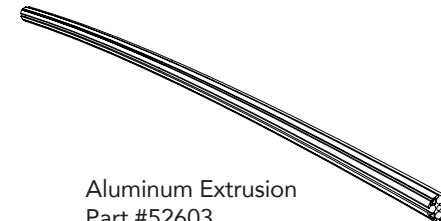
**Required Parts, available separately
in the Bestop #52603-01 Parts Kit.**



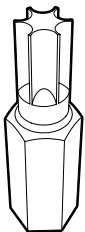
Plastic End Cap - Left
Part #593.71
Qty. 1



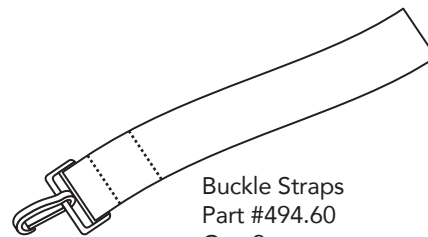
Plastic End Cap - Right
Part #592.66
Qty. 1



Aluminum Extrusion
Part #52603
Qty. 1



T25 Torx Bit
Part #593.53
Qty. 1



Buckle Straps
Part #494.60
Qty. 2

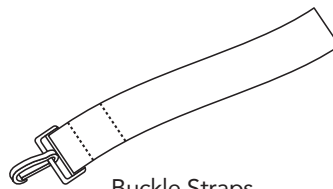
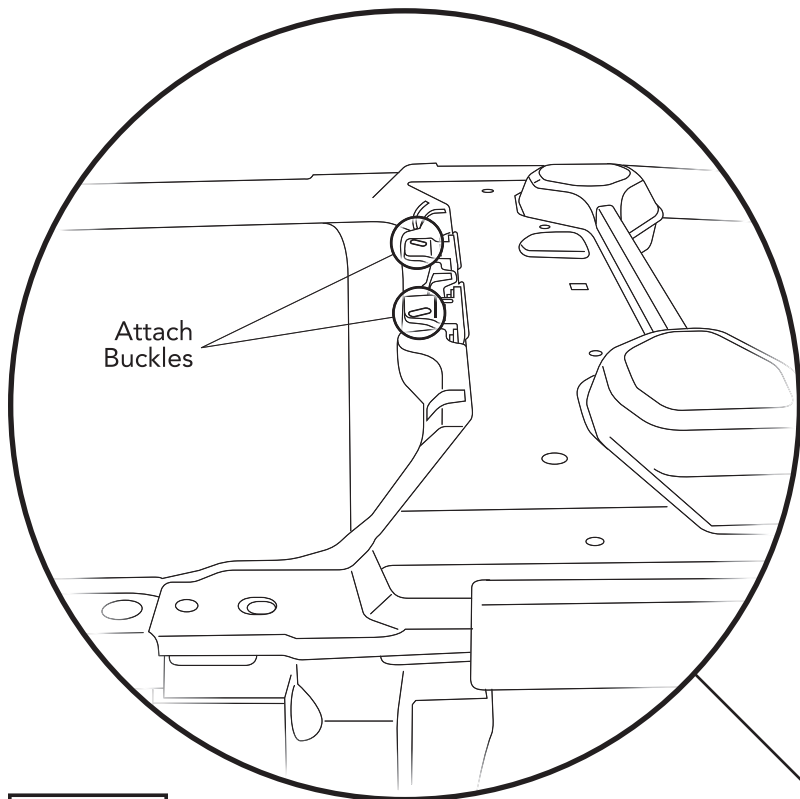


Tail Clips
Part #338.24
Qty. 2

Step 1 Buckle Straps

Hardware

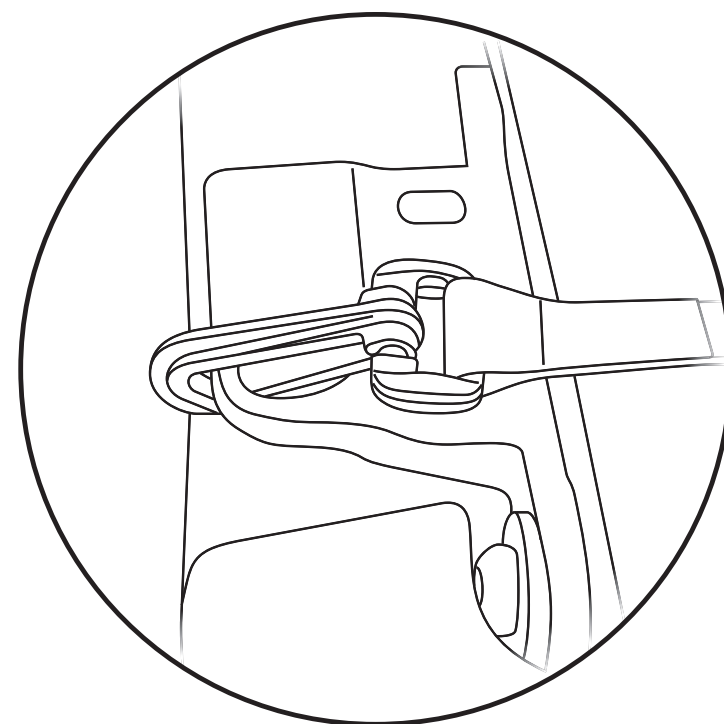
Detail



Buckle Straps
Qty. 2



Tail Clip
Part #338.24
Qty. 2

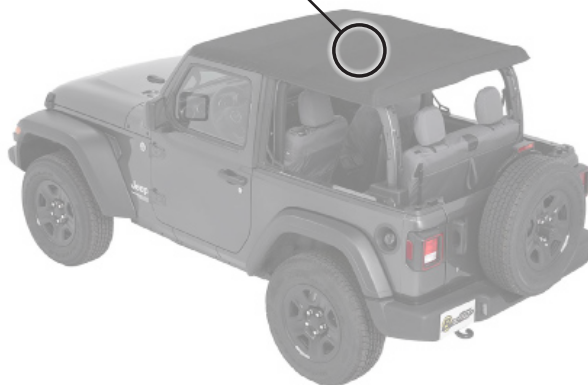


Step 1

Attach the two (2) Buckle Straps to the flanges on the front side of the Jeep Sound Bar.

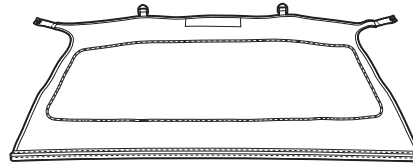
Clip the buckles securely to the flanges, using the oval holes in the flanges.

See Detail.



Step 1 593.53

Hardware



Windjammer
Qty. 1

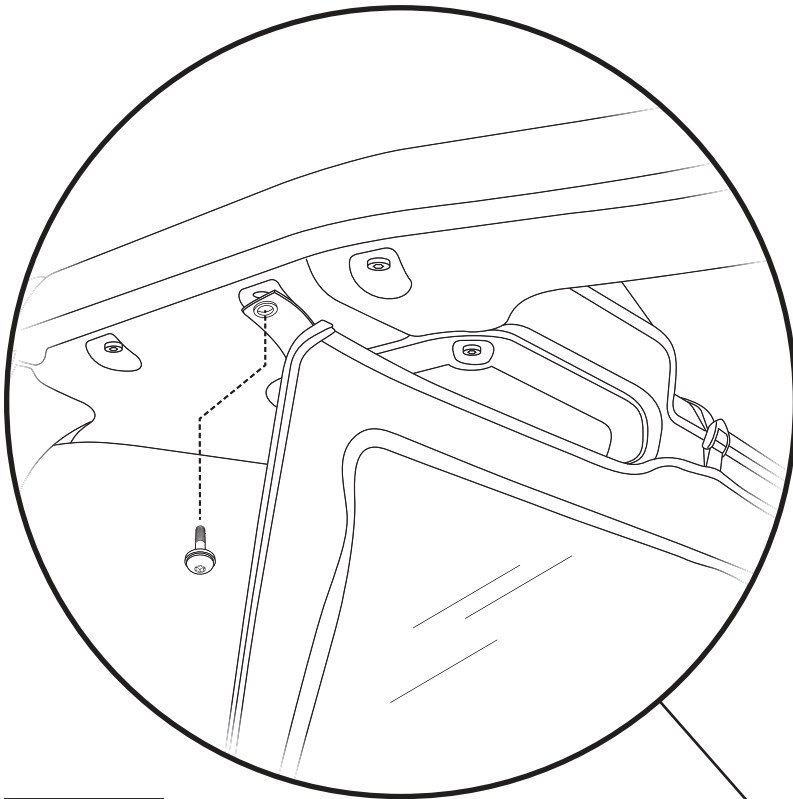
Tools



Torx Driver



T25 Torx Bit
Part #593.53
Qty. 1

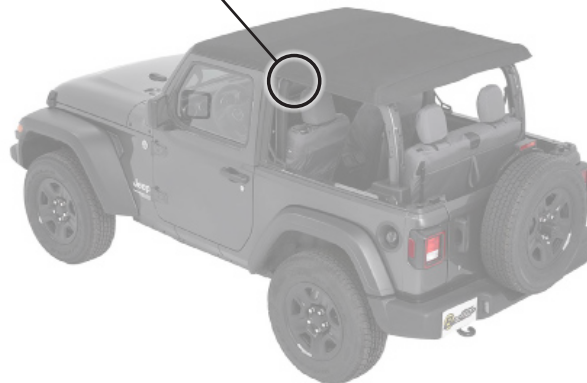


Step 1

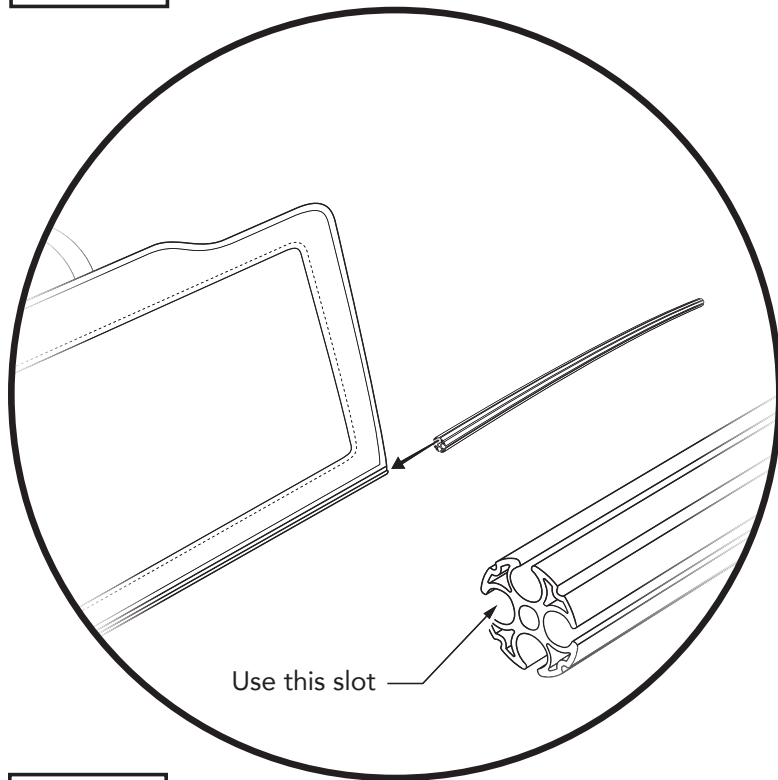
Remove the Torx screw from the underside of the sport bar in the location shown.

Attach the corner Grommet Tab of the Windjammer to the Sport Bar using the Torx Screw you just removed.

Repeat on both sides of the Jeep.

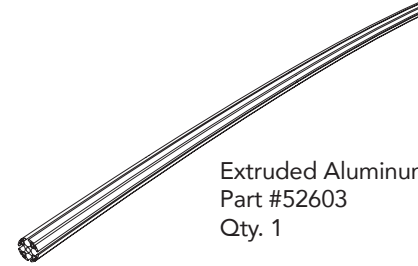


Step 1



Hardware

52603-01 Parts Kit



Extruded Aluminum Bow
Part #52603
Qty. 1

**Required Parts, available separately
in the Bestop #52603-01 Parts Kit.**

Step 1

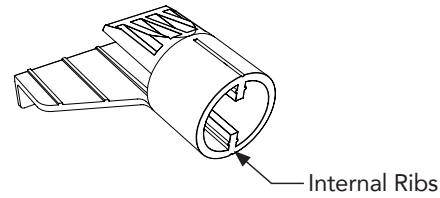
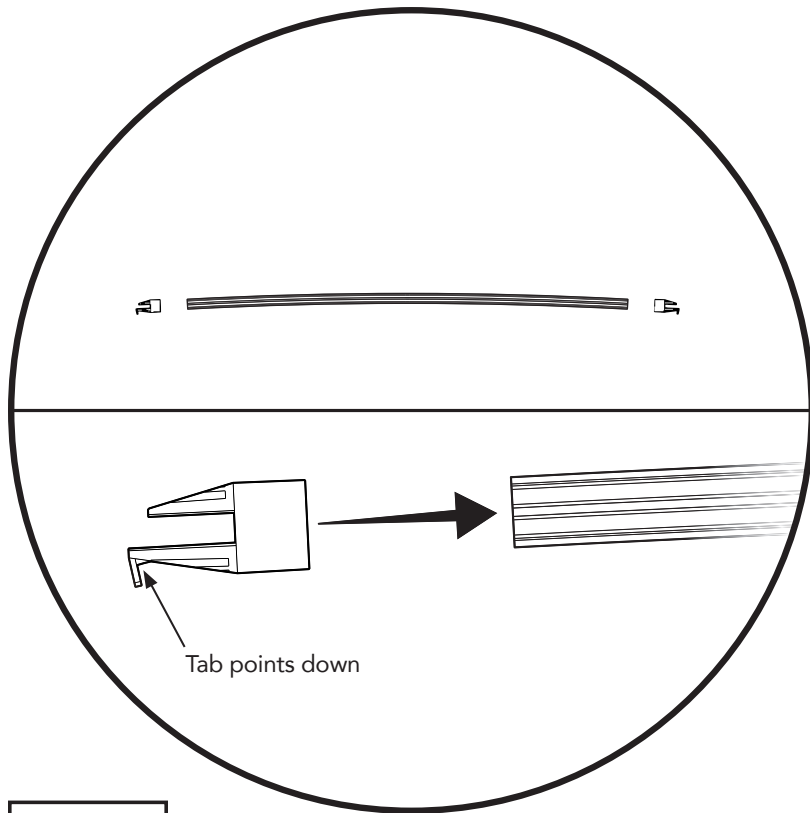
Slide the Extruded Aluminum Bow, Bestop Part #52603 (Available separately with Bestop Parts Kit #52603-01) over the P-Extrusion rail along the bottom edge of the Windjammer.

Make sure that the Bow is oriented so that the arch of the bow is vertical, facing up, and that the slot that slides over the P-Extrusion is the one on the front of the Bow.

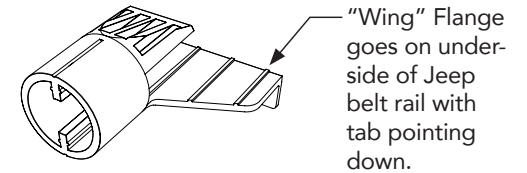
Slide the Bow all the way across the bottom edge of the Windjammer.

Step 1 593.71 592.66

Hardware 52603-01 Parts Kit



Plastic End Cap - Left
Bestop Part #593.71
Qty. 1
Sold Separately



Plastic End Cap - Right
Bestop Part #592.66
Qty. 1
Sold Separately

"Wing" Flange goes on underside of Jeep belt rail with tab pointing down.

Required Parts, available separately in the Bestop #52603-01 Parts Kit.

Step 1

Place the Plastic End Caps #593.71 and #592.66 on the Extruded Aluminum Bow (Available separately with Bestop Parts Kit #52603-01).

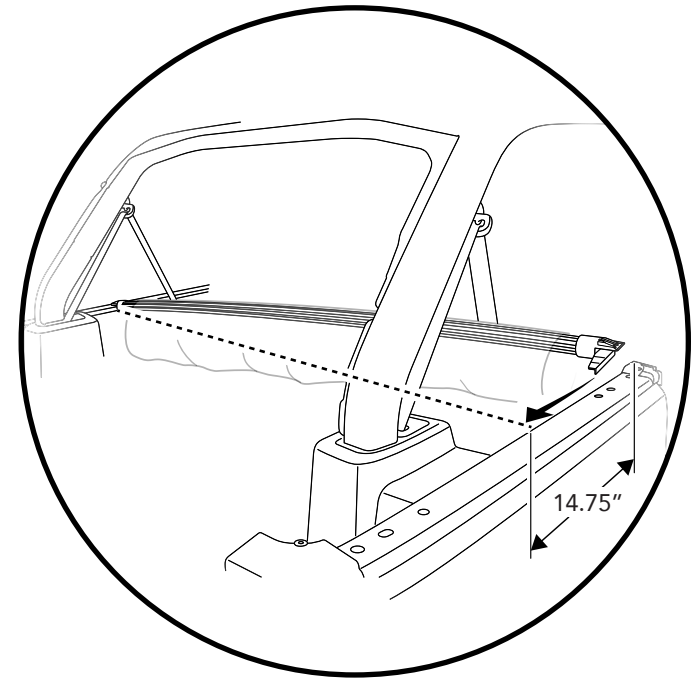
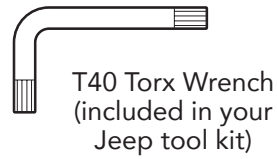
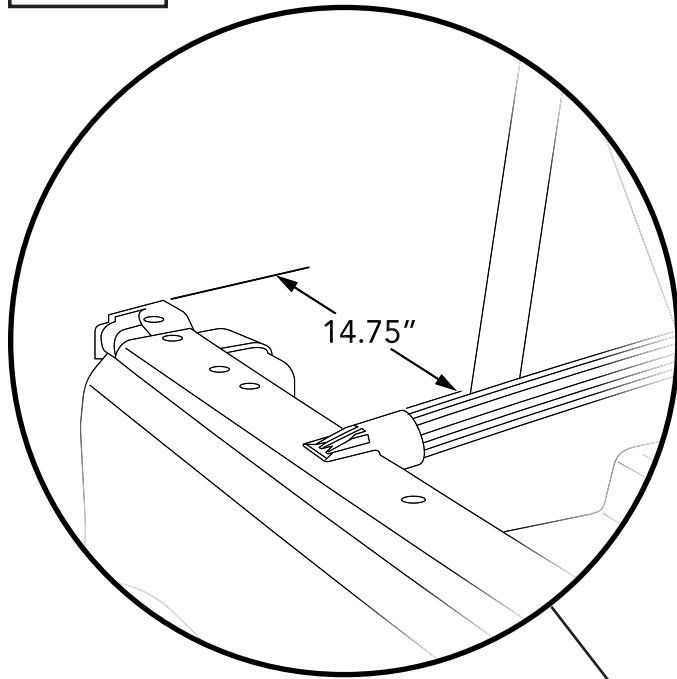
The Caps should be aligned so that the "wing" flange is on the underside of the Jeep belt rail, and the tab on each flange is pointing down.

The internal ribs inside the round opening of each end cap will slide into the slots on the top and bottom of the aluminum extrusion.

Step 1

Tools

Step 2

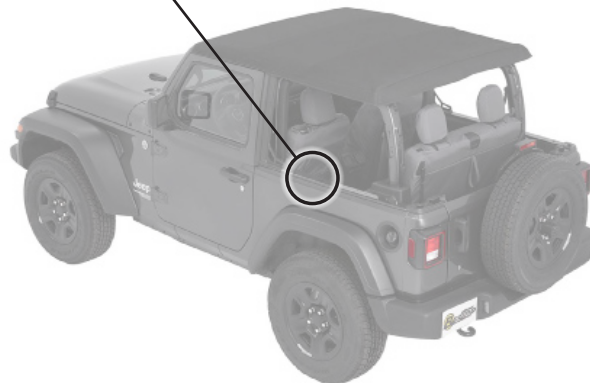


Step 1

Slide the open end of one end cap over the Jeep belt rail at a location 14.75" from the plastic trim cap at the rear of the door opening.

The Caps should be aligned so that the "wing" flange is on the underside of the Jeep belt rail, and the tab on each flange is pointing down.

Make sure that the arch of the Bow is facing up when installed.



Step 2

Now pivot the other end of the aluminum bow with attached end cap into place. Slide the opening of the end cap over the Jeep belt rail, and locate it the same distance - 14.75" - from the door opening trim cap on the same side.

NOTE: If you have Door Surrounds on your vehicle, you must remove some fasteners to allow the Door Surround to be moved out of the way before pivoting the Extrusion Bow into place. You do not need to remove the Door Surround - just move it out of the way. Use the T40 Torx Driver that comes in your Jeep's tool kit to remove the Door Surround fasteners.

You can now snug the attachment straps and replace the Door Rail and fasteners.



Warranty Information Windjammer

Vehicle Application:
Jeep® JL Wrangler 2018-Current
Part Number 80050 (Requires #52603-01)

WHAT BESTOP WARRANTS

Subject to the terms and conditions of sale, including any terms and conditions set forth by Bestop, Inc. (“Bestop” or “us” or “we”) in our then-current terms of sale on our website (collectively, the “Terms”), Bestop represents and warrants that: the covered products listed in the “Covered Products and Warranty Periods” section (a “Product”) will substantially be free from defects in materials and workmanship for the specified warranty periods set forth in that section.

THE WARRANTY IS LIMITED AND CONDITIONAL

This warranty applies to the original purchaser of the Product only. The warranty is valid only as long as the original retail purchaser owns the vehicle upon which the Product is installed. The warranty expires should the Product be removed from the original vehicle or if the original vehicle is transferred to another owner.

This warranty is not transferable or assignable. The warranty does not apply to Product bought from auction-style or price-bid websites.

THE LIMITED WARRANTY AND STATED REMEDIES ARE SOLE AND EXCLUSIVE AND IN LIEU OF ALL OTHER WARRANTIES AND REMEDIES, AND COMPANY EXPRESSLY DISCLAIMS ALL IMPLIED OR STATUTORY OR OTHER WARRANTIES, INCLUDING WITHOUT LIMITATIONS WARRANTIES OF MERCHANTABILITY, NON-INFRINGEMENT OR FITNESS FOR A PARTICULAR PURPOSE. IN NO EVENT WILL COMPANY BE LIABLE FOR ANY SPECIAL, INCIDENTAL, CONSEQUENTIAL, PUNITIVE, INDIRECT OR EXEMPLARY DAMAGES OF ANY KIND, INCLUDING LOST PROFITS OR REVENUE, HOWEVER CAUSED, WHETHER FOR BREACH OR REPUDIATION OF CONTRACT, TORT, BREACH OF WARRANTY, NEGLIGENCE, OR OTHERWISE, WHETHER OR NOT COMPANY WAS ADVISED OF THE POSSIBILITY OF SUCH LOSS OR DAMAGES.

Some states do not allow exclusion or limitation, so this may not apply to you. This warranty gives you specific legal rights, and you may have other rights which vary from state to state.

EXCLUSIONS TO THE WARRANTY

The Limited Warranty excludes, and Bestop is not liable in any way for any warranty claims, damages, or defects related to:

- Misuse, abuse, accidents, vandalism, negligence, fire, or improper installation or modification, or improper or inadequate maintenance;
- Failure to comply with any Product documentation, Bestop instructions, or applicable law or regulations; use in extreme conditions
- Force Majeure including but not limited to, earthquake, hurricane, tornado, flooding, or other disasters natural or man-made, civil unrest, strikes, declared or undeclared war, or lack of performance by, or discontinued product of, supply chain partners whose products, software, operations or management is beyond the control of Bestop;
- Damage resulting in breakage (including without limitation, spontaneous breakage, accidental breakage or breakage by any other means) of a Product or any component part;
- Damage to vinyl windows due to misuse, or cracking due to varying weather conditions.

YOUR SOLE REMEDY

During the applicable warranty period, Bestop shall, at its option, either repair or replace any Product that it confirms, in its discretion, is non-compliant with the warranties herein. Bestop will not pay for labor charges associated with installation or removal of the Product. Should a specific Product be discontinued, Bestop may, at its option, replace the discontinued Product with a current product or like product.

Please retain your proof of purchase. Original proof of purchase for the Product must accompany any warranty claim. If you have a warranty claim, first you must email Bestop Customer Service at csbestop@bestop.com for instructions. All claims must be emailed to csbestop@bestop.com within 30 days of discovery of a defective Product, but in no event later than thirty days after the end of the applicable Warranty Period (the “Warranty Notice Period”). Warranty claims made after the Warranty Notice Period are null and void and Bestop shall have no responsibility with respect to such claims.

THIS SECTION SETS FORTH BESTOP’S SOLE OBLIGATION & YOUR SOLE REMEDY WITH RESPECT TO ANY DEFECTS OR OTHER PRODUCT ISSUE. ANY PRODUCTS REPLACED UNDER TERMS OF THIS WARRANTY WILL BE COVERED UNDER TERMS & BALANCE OF THE DURATION OF THE ORIGINAL LIMITED WARRANTY FOR SUCH PRODUCT.



Warranty Information Windjammer

Vehicle Application:
Jeep® JL Wrangler 2018-Current
Part Number 80050 (Requires #52603-01)

COVERED PRODUCTS AND WARRANTY PERIODS: The warranty time periods are as follows for Products manufactured by Bestop:

BESTOP® LIMITED LIFETIME WARRANTY

Trektop® Pro Twill Fabric Top Sunrider® for Hardtop Twill Fabric Top
Trektop® NX Glide Twill Fabric Top Replace-a-Top™ Twill Fabric Top
Trektop® NX Twill Fabric Top Supertop® NX Twill Fabric Top
EZFold™ Soft Tonneaus Floor & Cargo Liners
ZipRail™ Soft Tonneaus Pet Barriers
EZRoll™ Soft Tonneaus

BESTOP® 5-YEAR LIMITED WARRANTY

Trektop® NX Glide™ Top (non-Twill) Sunrider® for Hardtop (non-Twill) Replace-a-Top™ Top (non-Twill) Trektop® NX Top (non-Twill)
Sailcloth Replace-a-Top™ Supertop® NX Top (non-Twill)
Tigertop™ and Halftop™ Supertop® Classic Soft Top Sunrider® Complete Soft Top Supertop® for Truck
EZ Fold Hard Tonneau

BESTOP® 3-YEAR/100K MILES LIMITED WARRANTY

Powerboard® & Powerboard® NX
Trekstep®, Side Mount
Trekstep®, Rear Mount

BESTOP® 3-YEAR LIMITED WARRANTY

Pavement Ends Sprint Top

BESTOP® 2-YEAR LIMITED WARRANTY

Trektop® Classic Soft Top
RoughRider™ Soft Storage

BESTOP® 1-YEAR LIMITED WARRANTY

All other Bestop® & Pavement Ends™ products not specified above.

For further information or request for warranty work, please contact:

Bestop Inc. Customer Service
Toll-Free: (800)845-3567
Main: (303)465-1755
E-mail: csbestop@Bestop.com
Website: www.Bestop.com