

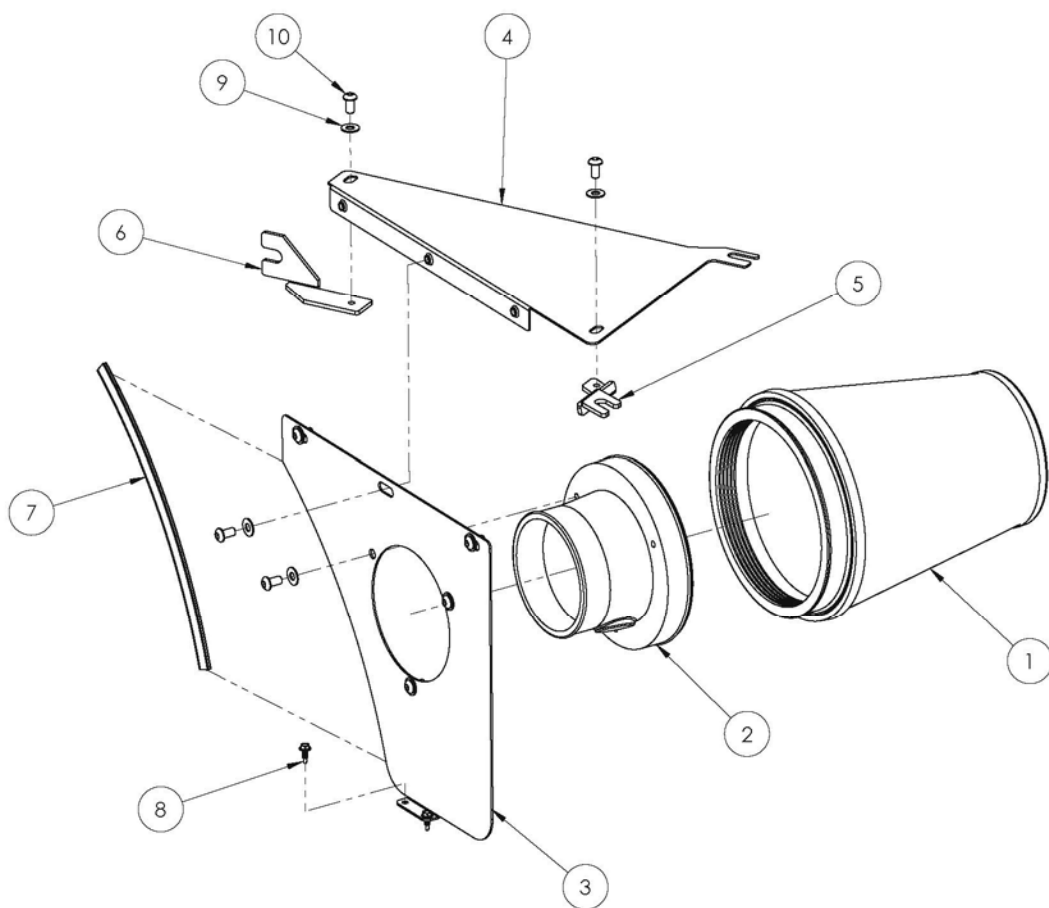


Installation Instructions

For Part Numbers:

100-250	3in.	Drv. Sd. Outlet	700-461	Airaid Oiled Media Filter
101-250	3in.	Drv. Sd. Outlet	701-461	SynthaMax Dry Media Filter - Red
100-251	3.5in.	Drv. Sd. Outlet	700-461	Airaid Oiled Media Filter
101-251	3.5in.	Drv. Sd. Outlet	701-461	SynthaMax Dry Media Filter - Red
100-252	4in.	Drv. Sd. Outlet	700-461	Airaid Oiled Media Filter
101-252	4in.	Drv. Sd. Outlet	701-461	SynthaMax Dry Media Filter - Red
100-253	3in.	Psgr. Sd. Outlet	700-461	Airaid Oiled Media Filter
101-253	3in.	Psgr. Sd. Outlet	701-461	SynthaMax Dry Media Filter - Red
100-254	3.5in.	Psgr. Sd. Outlet	700-461	Airaid Oiled Media Filter
101-254	3.5in.	Psgr. Sd. Outlet	701-461	SynthaMax Dry Media Filter - Red
100-255	4in.	Psgr. Sd. Outlet	700-461	Airaid Oiled Media Filter
101-255	4in.	Psgr. Sd. Outlet	701-461	SynthaMax Dry Media Filter - Red

Performance Airbox for F Body Camaro and Firebird



Component Identification

1.	Airaid Premium Filter	1
2.	Filter Adapter	1
3.	Air Dam	1
4.	Top Panel	1
5.	Core Support Bracket	1
6.	Fender Bracket	1
7.	Weatherstrip 12"	1
8.	Self Drilling Screw	2
9.	1/4" Flat Washer	8
10.	1/4-20 Button Head Bolt	8

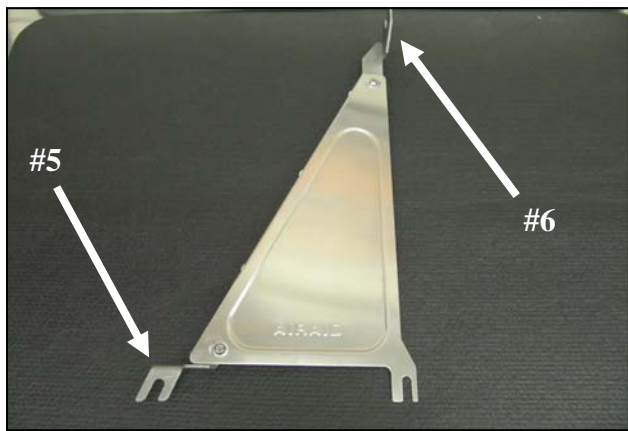
NOTE This is not a complete kit. It is a component intended to be used in conjunction with Additional Airaid UBI components.

(Drivers side installation pictured)

Passenger Side Application:

If your vehicle has it's battery in the factory location, it along with the battery tray will need to be re located to complete this install

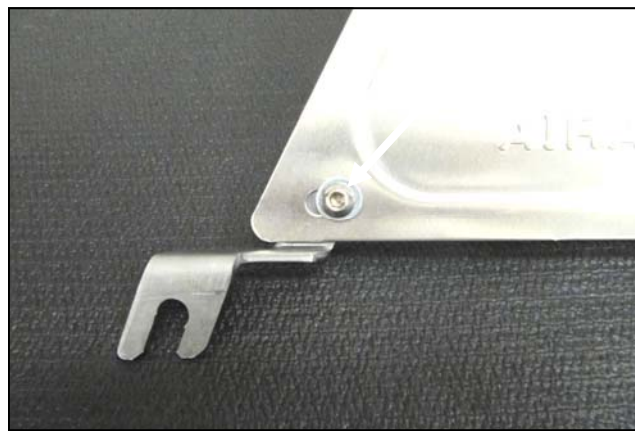
Full color instructions can be viewed on our web site at Airaid.com. Use the **Product Search** function to find your part number, and click **View Details**.



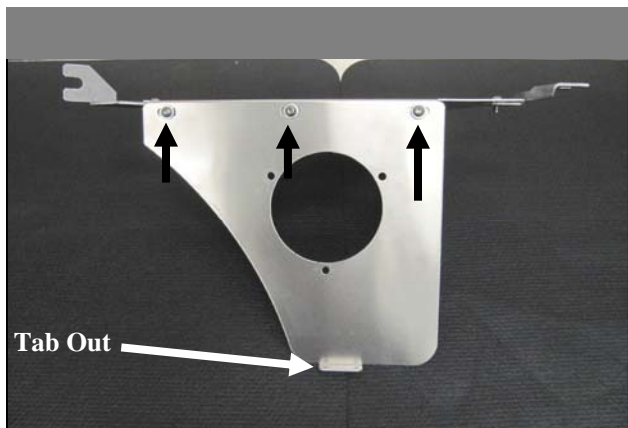
1. Remove the protective film from the sheet metal. Create the Top Panel assembly by installing the two Brackets on to the Top Panel (#4). Install the hardware finger tight to allow for final adjustment.



2. Install the Fender Bracket (#6) as shown using one 1/4-20 Button Head Bolt (#10), and one 1/4" Flat Washer (#9).



3. Install the Core support Bracket (#5) as shown using one 1/4-20 Button Head Bolt (#10), and one 1/4" Flat Washer (#9).



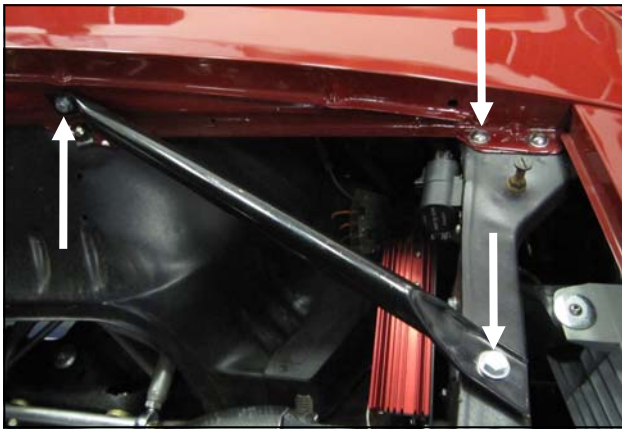
4. Install the Air Dam (#3) onto the Top Panel assembly three 1/4-20 Button Head Bolts and 1/4" washers. Install the hardware finger tight to allow for final adjustment.



5. Install the Filter Adapter (#2) onto the Air Dam using three remaining sets of 1/4-20 hardware.



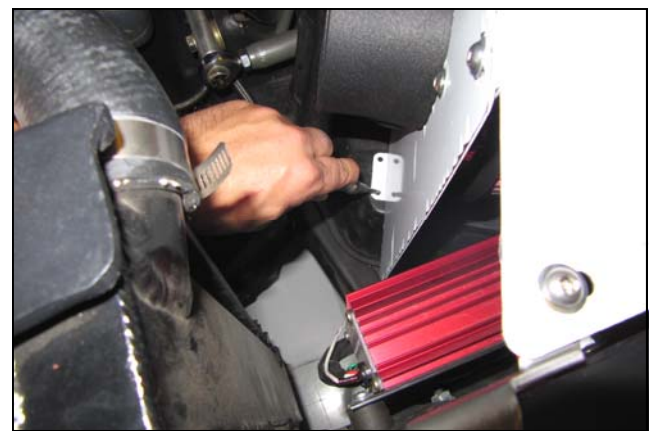
6. Install the Airaid Premium Filter onto the Adapter as shown.



7. Remove the fender brace and the rear fender bolt on the core support. **Passenger side installations require relocation of the battery and tray.**



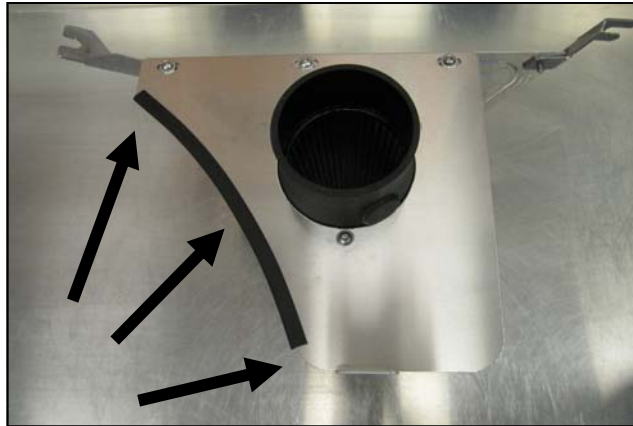
8. Position the airbox assembly into the inner fender area. Check for clearance and adjust the panels and brackets for fit, and tighten all hardware, final tight.



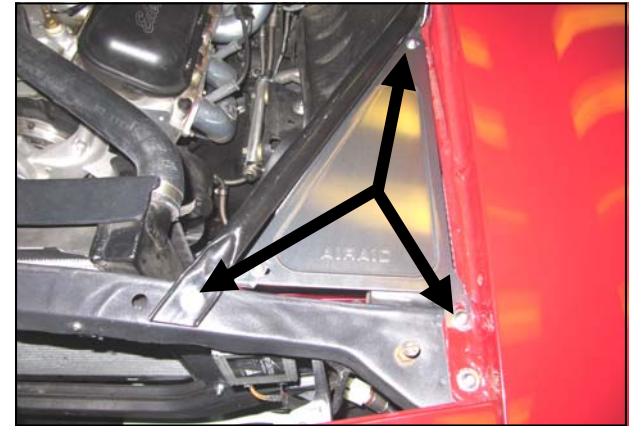
9. Using a spring loaded punch, mark inner fender where the holes will be drilled for the Aid Dam tab.



10. Drill 1/8" pilot holes into the inner fender.



11. Install the Weatherstrip (#7) onto the Air Dam



12. Install the assembly into the inner fender. Reinstall the fender support on top of the Airaid brackets and secure using the factory hardware. Reinstall the fender bolt removed in step 7.

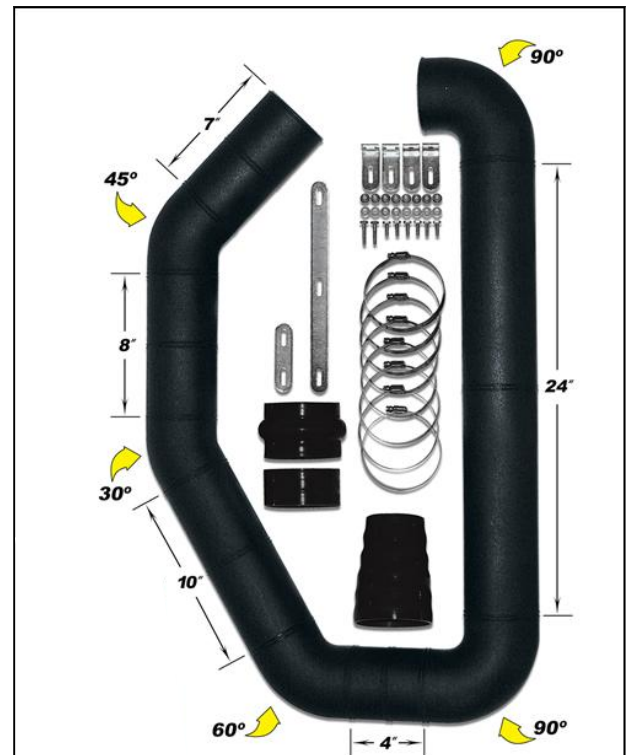


13. Secure the Air Dam tab to the inner fender using the two Self drilling screws (#8).

14. Connect the performance airbox assembly to your throttle body or carburetor by using any combination of Airaid's UBI components.

- PN 100-300 3.0" UBI Tube Only
- PN 100-350 3.5" UBI Tube Only
- PN 100-400 4.0" UBI Tube Only

Go to www.airaid.com for a complete list of components for a custom install.



UBI intake kits consist of multiple angles and straights, which you cut as desired. Thousands of intake variations are possible! Available separately, as tubes only, or individual components including ; couplers, clamps, brackets and hardware.



Thank you for purchasing the Airaid UBI System. Contact Airaid @ (800) 498-6951 8:00 AM - 5:00 PM MST weekdays for questions regarding fit or instructions that are not clear to you. Your Airaid UBI System was carefully inspected and packaged. Check that no parts are missing, or were damaged during shipping. If any parts are missing, contact Airaid. The air filter element is protected from direct exposure to water and debris; care should be taken not to drive through deep water. WATER INGESTION IS THE DRIVERS RESPONSIBILITY! The air filter is reusable and should be cleaned periodically.

FILTER IDENTIFICATION

- 700-461 Airaid Oiled Media
- 702-461 Airaid SynthaMax Dry Media - Black

- 701-461 Airaid SynthaMax Dry Media - Red
- 703-461 Airaid SynthaMax Dry Media - Blue

For your Oiled media filter we suggest using the AIRAID Filter Tune-Up Kit!



P/N 790-551 Aerosol Spray
P/N 790-550 Squeeze Spray



Do Not Oil

Synthamax Air Filters do not require oil. Service air filter as needed by cleaning with common non-petroleum all-purpose household cleaner and water. Simple Green®, Formula 409® or equivalent works great. Apply cleaner to outside of air filter and allow to soak. Then flush filter clean from the inside out with a garden hose and repeat steps if necessary. Do not apply high pressure water or air to clean filter. Allow filter to air dry and reinstall.