



## Installation Instructions

For Part Numbers:

- 200-700 700-420 Airaid Oiled Media Filter
- 201-700 701-420 SynthaMax Dry Media Filter - Red
- 202-700 702-420 SynthaMax Dry Media Filter - Black
- 203-700 703-420 SynthaMax Dry Media Filter - Blue

**UBI Universal Air Intake System**  
(5<sup>3/4</sup>" Minimum Hood Clearance Required)

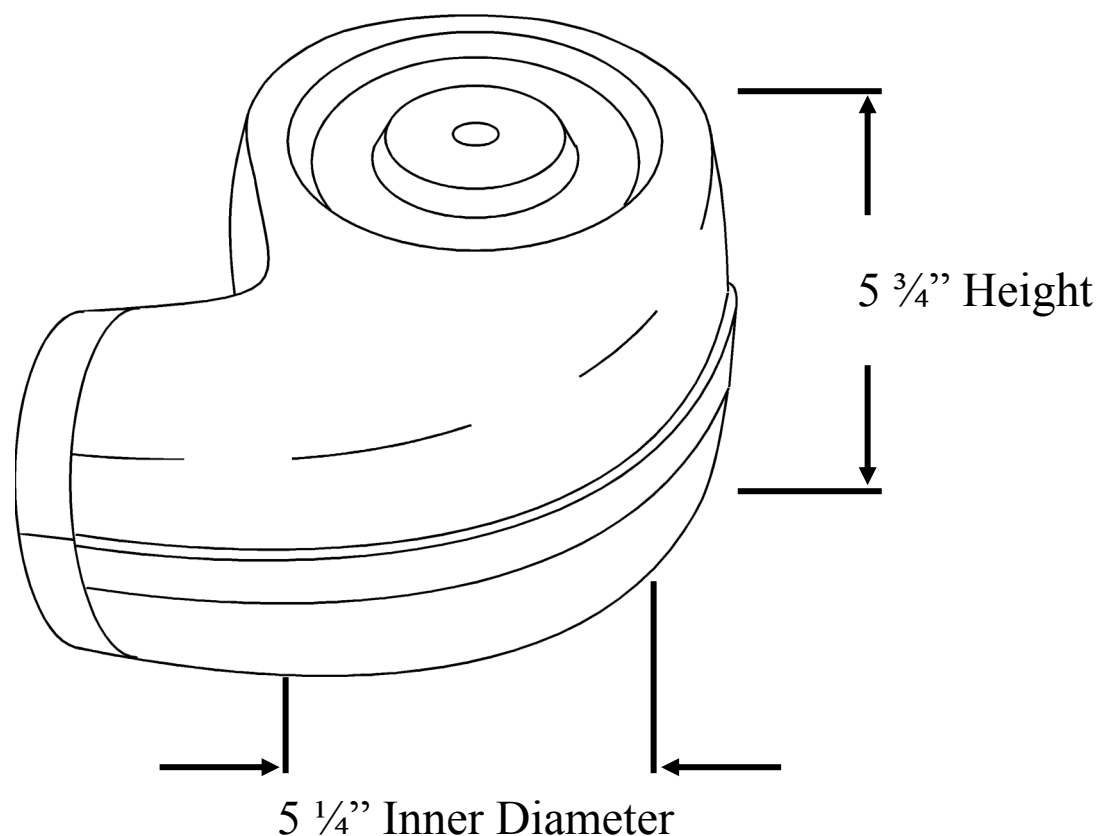


### Component Identification

1.	Airaid Premium Filter	1
2.	Plastic "Hat"	1
3.	Grommet Plug	1
4.	5.25" Gasket	1

Full color instructions can be viewed on our web site at [Airaid.com](http://Airaid.com). Use the **Product Search** function to find your part number, and click **View Details**.

- 1) Disconnect negative battery cable. Remove original air filter assembly from carburetor or throttle body.
- 2) Install Airaid Plastic Hat on top of 5 1/4" carburetor or throttle body using the original air cleaner stud and bolt. (**Note: Some vehicles may require a longer stud in order to reach through the hat. A longer stud may be purchased at your local auto parts store or hardware store.**)
- 3) Install Airaid filter on inlet of hat using the supplied hose clamp.
- 4) Double check your work to be certain that all nuts, bolts, and clamps are securely fastened. (**Note: Check for adequate hood clearance before closing hood. Minimum of 5 3/4" from carburetor or throttle body to hood is required.**)
- 5) Reconnect the negative battery cable.



Thank you for purchasing the Airaid Intake System. Contact Airaid @ (800) 498-6951 8:00 AM - 5:00 PM MST weekdays for questions regarding fit or instructions that are not clear to you. Your Airaid Intake System was carefully inspected and packaged. Check that no parts are missing, or were damaged during shipping. If any parts are missing, contact Airaid. The air filter element is protected from direct exposure to water and debris; care should be taken not to drive through deep water. WATER INGESTION IS THE DRIVERS RESPONSIBILITY! The air filter is reusable and should be cleaned periodically.

## FILTER IDENTIFICATION

700-420 Airaid Oiled Media  
702-420 Airaid SynthaMax Dry Media - Black

701-420 Airaid SynthaMax Dry Media - Red  
703-420 Airaid SynthaMax Dry Media - Blue

For your Oiled media filter we suggest using the AIRAID Filter Tune-Up Kit!



P/N 790-551 Aerosol Spray  
P/N 790-550 Squeeze Spray



# SynthaMax<sup>®</sup>

## Do Not Oil

Synthamax Air Filters do not require oil. Service air filter as needed by cleaning with common non-petroleum all-purpose household cleaner and water. Simple Green®, Formula 409® or equivalent works great. Apply cleaner to outside of air filter and allow to soak. Then flush filter clean from the inside out with a garden hose and repeat steps if necessary. Do not apply high pressure water or air to clean filter. Allow filter to air dry and reinstall.

