

AIR AID

INTAKE SYSTEMS



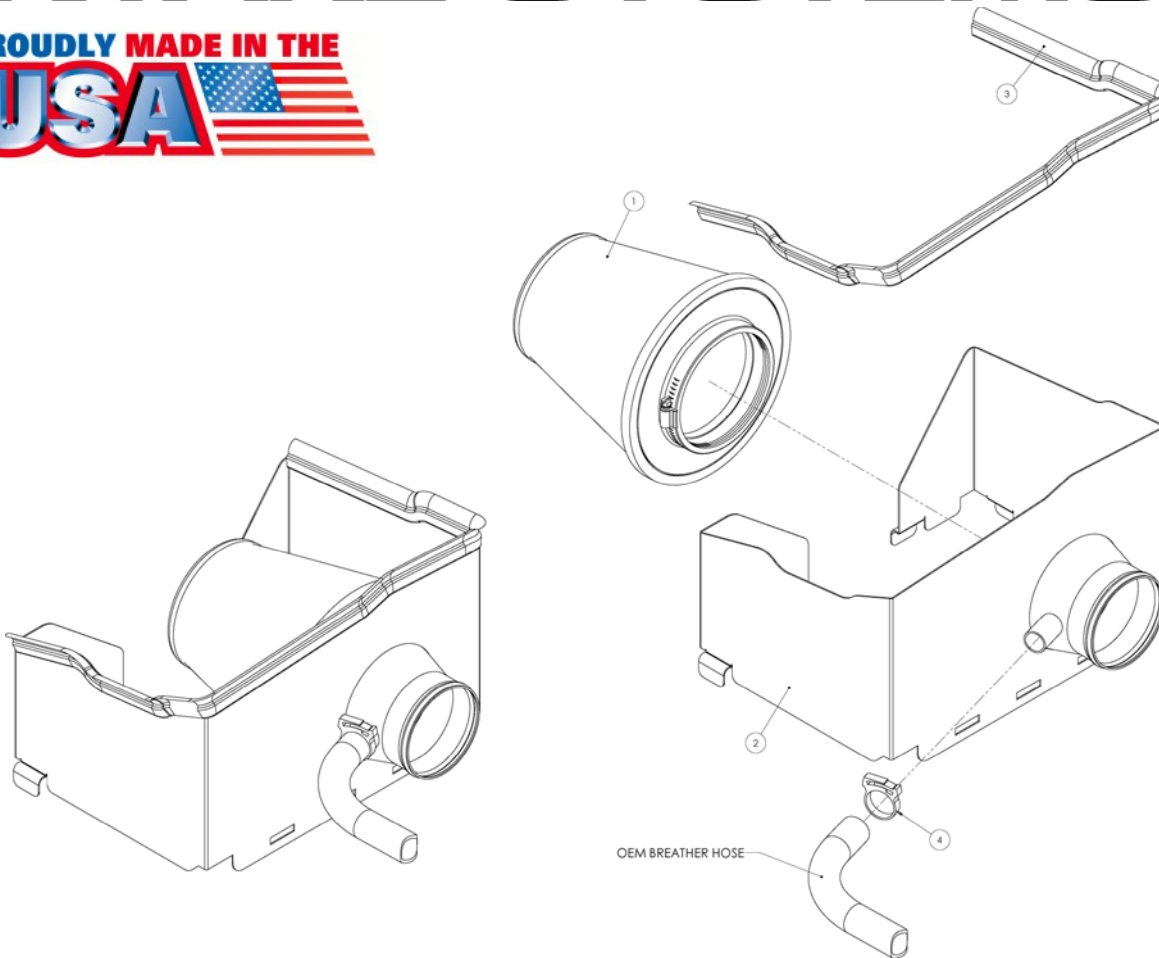
® Installation Instructions
 Part Number 300-192 Quick Fit
 2006-07 Dodge Ram
 4.7L & 5.7L V-8

Packing List:

#1	700-445	Airaid Premium Filter	1
#2	KIT192DC	Cool Air Dam	1
#3	KITWSTRIP02	Weather Strip 32 3/4"	1
	KIT192HP	Hardware & Instructions	1
#4	KITSNP24GHS	Speed Clamp	x1

Tools Required For Installation:

5/16" Socket, Extension & Ratchet
 OR
 Standard Screwdriver



1. Disconnect the negative battery cable!
 Disconnect the factory breather hose from the air cleaner lid.



2. Unlatch 4 clips that hold down the factory airbox lid.
 Loosen the hose clamp on the factory intake tube where it connects to the airbox lid, then remove the lid.



3. Remove the factory air cleaner.



4. Install the Cool Air Dam (#2) by slipping it into the factory intake tube, and then sliding it over the tabs on the factory airbox base. Adjust it for fit on top of the airbox base, and re-latch the 4 clips to hold the CAD securely in place.



5. Slide the factory intake tube all the way onto the CAD tube and tighten the hose clamp. Slip the #24 speed clamp (#4) over the factory breather hose and re-connect the factory breather hose to the nipple on the CAD. Squeeze the speed clamp to secure the breather hose.



6. Install the Airaid Premium Filter (#1) onto the tube of the CAD as shown, and tighten the hose clamp. Now install the weather strip (#3) on top of the CAD. (Hint: Start with the end of the weather strip at one corner, and work your way around to the other corner.)

7. Double check your work!

Make sure there is no foreign material in the intake path. Make sure all clamps and hoses are tight.

8. Re-connect the negative battery cable!

Thank you for purchasing the Airaid Intake System. Contact Airaid @ (800) 498-6951 8:00 AM - 5:00 PM MST weekdays for questions regarding fit or instructions that are not clear to you. Your Airaid Intake System was carefully inspected and packaged. Check that no parts are missing, or were damaged during shipping. If any parts are missing, contact Airaid. The air filter element is protected from direct exposure to water and debris; care should be taken not to drive through deep water. WATER INGESTION IS THE DRIVERS RESPONSIBILITY! The air filter is reusable and should be cleaned using the Airaid Filter Tune-Up Kit periodically.

Before!



After!



Don't Forget Your AIRAID Filter Tune-Up Kit!



P/N 790-551 Aerosol Spray
P/N 790-550 Squeeze Spray



Instructions Revision
Date: 08/22/06