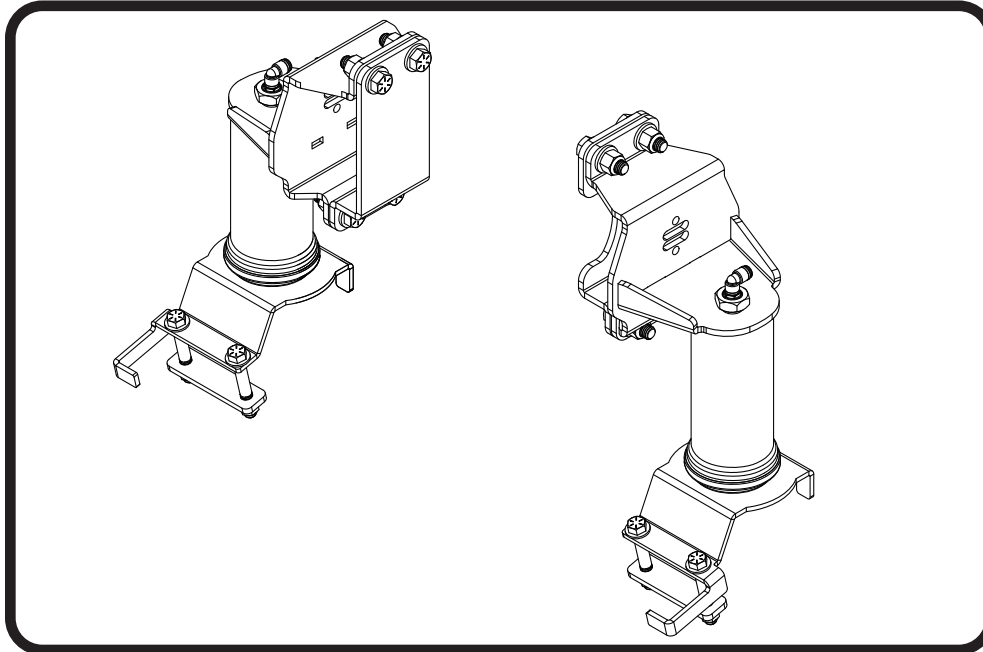


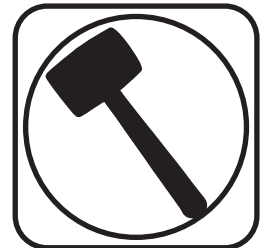
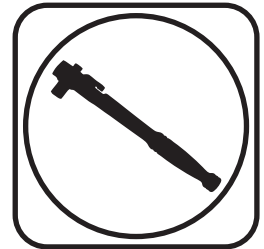


Part # 11724099

2019 UP GM Silverado/Sierra 1500 Helper Air Springs for Ridetech Lowering Kit



Recommended Tools



2019 UP GM 1/2 Ton Helper Air Springs Installation Instructions

Table of contents

- Page 2..... Kit Components
- Page 3..... Hardware List & Getting Started
- Page 4-6..... Installation

THIS AIR SPRING KIT IS DESIGNED TO BE USED WITH RIDETECH'S FLIP KIT.

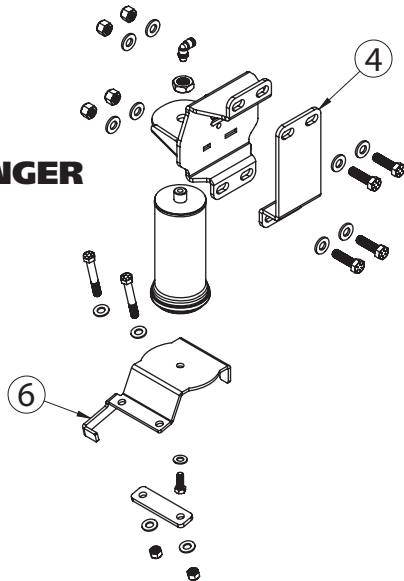




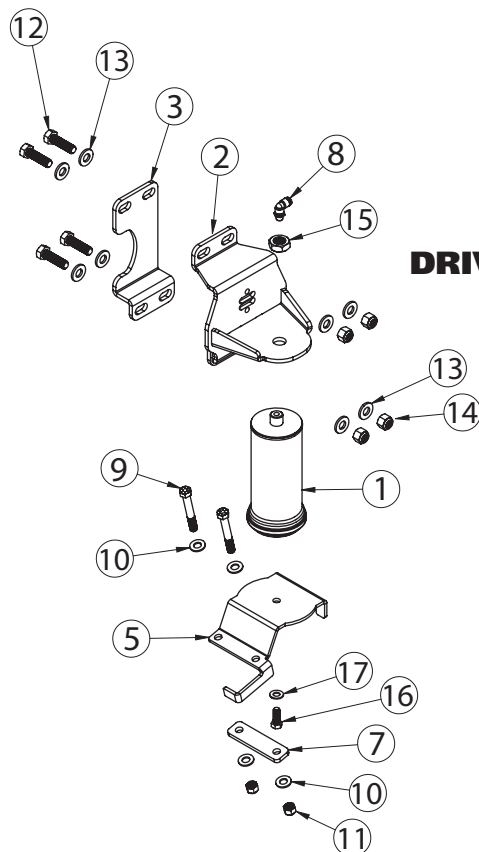
Air Spring Kit ComponentsIn the box

Item #	Part Number	Description	QTY
1	90007076	4.5" Diameter Rolling Sleeve Air Spring	2
2	90003452	Outer Frame Bracket	2
3	90003453	Inner Frame Plate - Driver	1
4	90003454	Inner Frame Plate - Pass	1
5	90003455	Passenger Spring Bracket	1
6	90003456	Spring Clamp Plate	2
7	90003253	Lower Bag Mount Clamp Mount	2
8	31952201	1/8" NPT x 1/4" Tube 90 Degree Fitting	2
	31954400	1/4" Tube T fitting	1
	31957005	1/4" Tube Schrader Valve	1
	31940003	1/4" Air Line by foot	8

PASSENGER



DRIVER





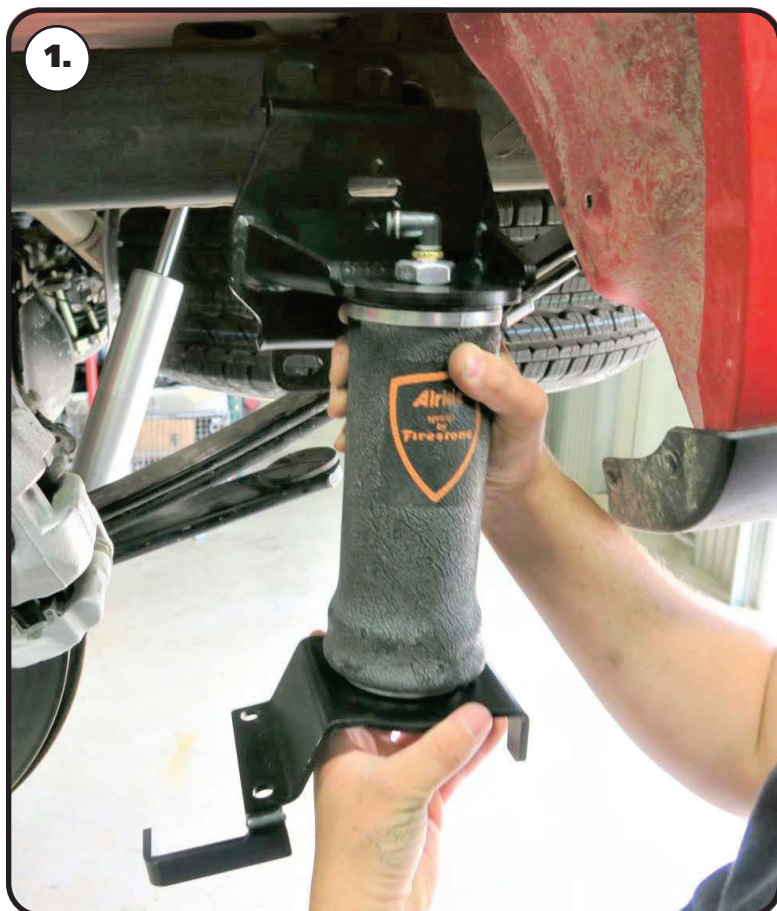
Hardware ListIn the box (Kit# 99010217)

The Hardware Kit contains bags to help aid in selecting the correct hardware for the component being installed. The hardware list shows how the hardware is bagged.

Item #	Part #	Description	QTY	Item #	Part #	Description	QTY
LOWER MOUNT TO LEAF SPRING				AIR SPRING			
9	99431025	7/16"-14 x 3" Hex Bolt	4	15	99752004	3/4"-16 Thin Jam Nut	2
10	99433005	7/16" SAE Flat Washer	8	16	99371072	3/8"-16 x 1" Hex Bolt	2
11	99432010	7/16"-14 Nylok Nut	4	17	99373002	3/8" SAE Flat Washer	2
FRAME BRACKET					90002263	Red Loctite	1
12	99501069	1/2"-13 X 1 3/4" Hex Bolt	8				
13	99503014	1/2" SAE Flat Washer	16				
14	99502009	1/2"-13 Nylok Nut	8				

Getting Started.....

This kit is designed to be used with the Ridetech 19 up Silverado rear lowering kit. The rear lowering kit needs to be installed before the air spring kit can be installed.



1. The air springs and brackets need to be assembled. The upper air spring mounts are the same for driver and passenger. The lower air spring brackets are side specific. **See Image 2.** The locating tab on the lower mount is installed on the wheel side of the leaf spring. **The Driver side is shown in Image 1.**

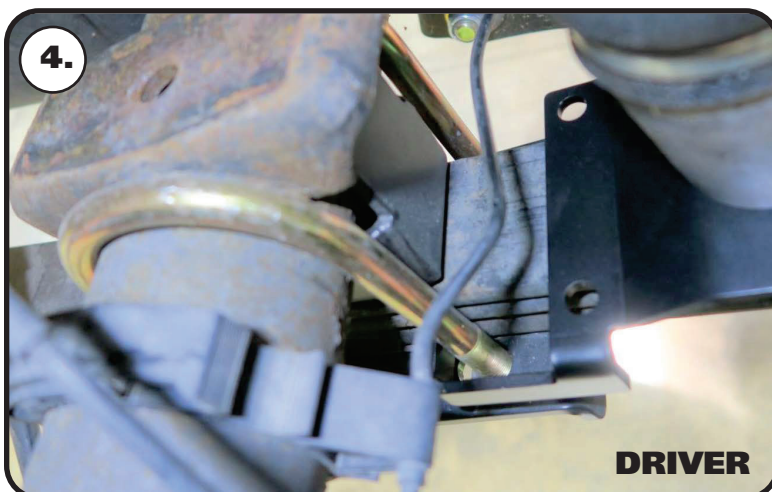
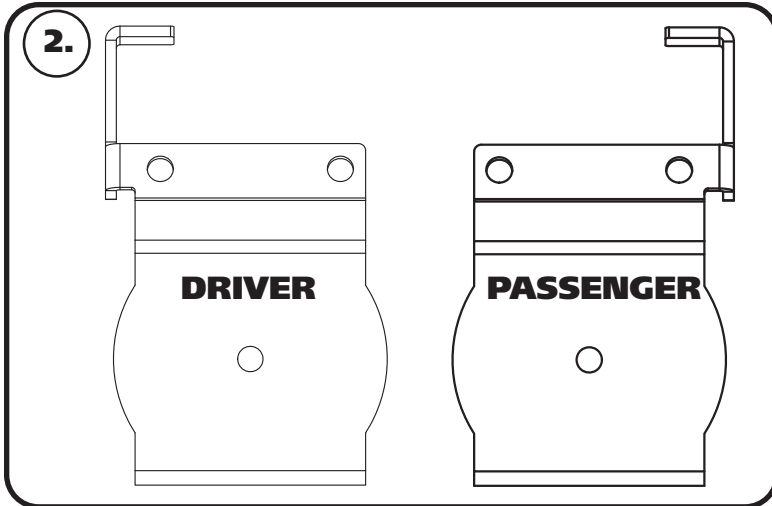
a. Thread the 3/4"-16 jam nut on the upper stud of the air spring and tighten with a wrench. **DO NOT USE AN IMPACT TO TIGHTEN.** The gussets of the air spring mount will point up to the bed.

b. Put thread sealant on the 90 degree air fittings and thread them into the top of each air spring and tighten.

c. Attach the lower air spring mount to the bottom of the air spring using red loctite, a 3/8"-16 x 1" bolt & 3/8" SAE flat washer. **DO NOT TIGHTEN AT THIS TIME.**

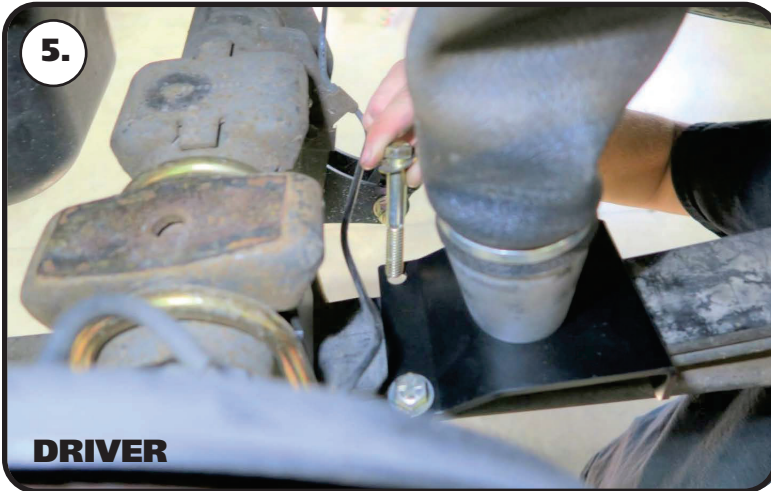


Installation





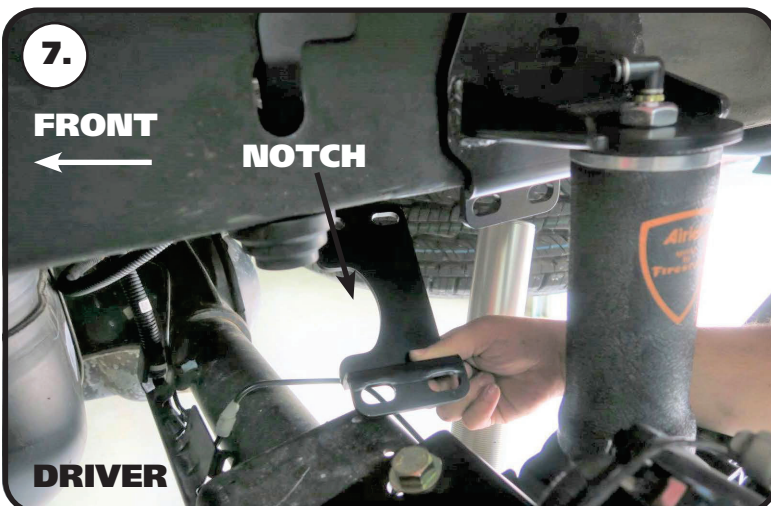
Installation



5. Install a 7/16" flat washer on each of (2) 7/16"- 14 x 3" bolts. Insert the bolts/washers in the forward 2 holes of the lower bracket.



6. Slip the spring clamping plate on the threads of the 2 bolts sticking down past the leaf spring. Install a 7/16" flat washer & 7/16"-14 nylok nut on each bolt. Tighten the hardware to 50 ft-lbs.



7. The inner frame plate is side specific. THE DRIVER SIDE HAS A NOTCH THAT WILL NEED TO BE POSITIONED TO THE FRONT OF THE TRUCK. The passenger side does NOT have a notch.



Installation



8. Hold the inner plate in position. It is bent to wrap under the frame rail. The (4) bolt holes will line up with the bolt holes of the upper air spring mount.



9. Install a 1/2" flat washer on each of (4) 1/2"-13 x 1 3/4" hex bolts. Insert them through the aligned holes of the air spring mount and inner plate. Install a 1/2" flat washer and 1/3"-13 nylok nut on the threads of the bolts. Make sure the top and bottom air spring mounts are inline with each other. Torque to 75 ft-lbs.



10. Tighten the lower 3/8" air spring bolt using a 9/16" wrench.

11. Establish a location for the inflation fitting and run the air lines. The air springs will get hook together with the supplied "T" fitting. Cut the air line with a razor blade, making sure the cut is straight. Keep the airline at least 6" from any heat source.

ALWAYS KEEP A MINIMUM OF 5 PSI IN THE AIR SPRINGS TO PREVENT DAMAGE TO THE AIR SPRINGS.