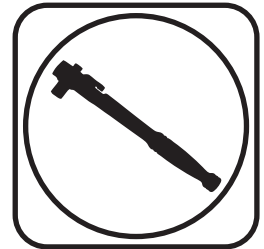
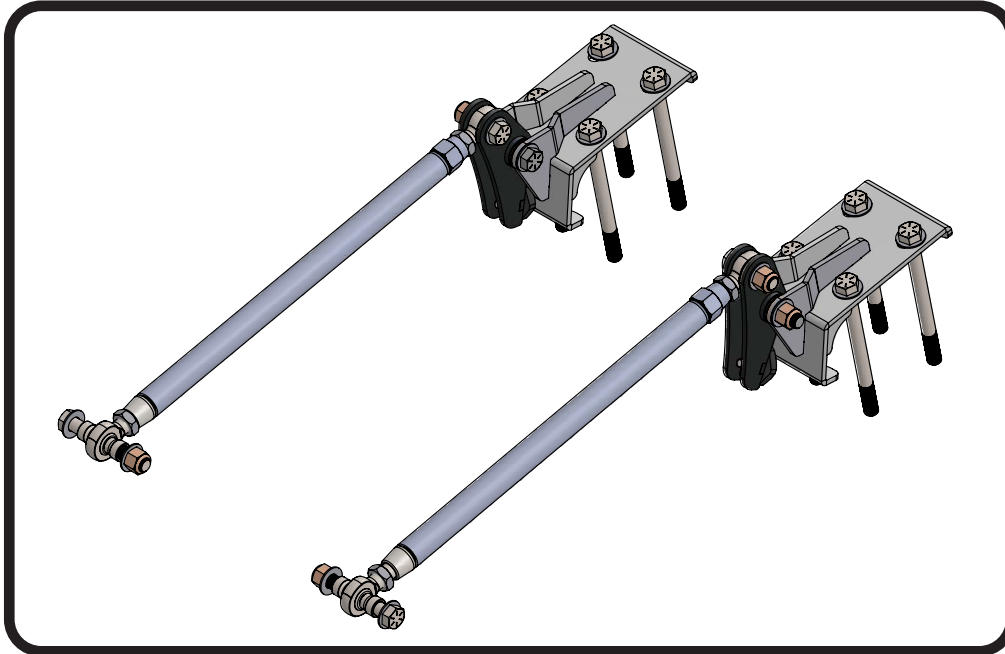




Part # 11727299 - 2019 UP GM 1/2 Ton Pickup Traction Bar

Recommended Tools



2019 UP GM 1/2 Ton Pickup Traction Bar Installation Instructions

Table of contents

Page 2.....	Included Components
Page 3.....	Hardware List & Getting Started
Page 4-6.....	Traction Bar Installation
Page 6.....	Final Tightening & Adjustment

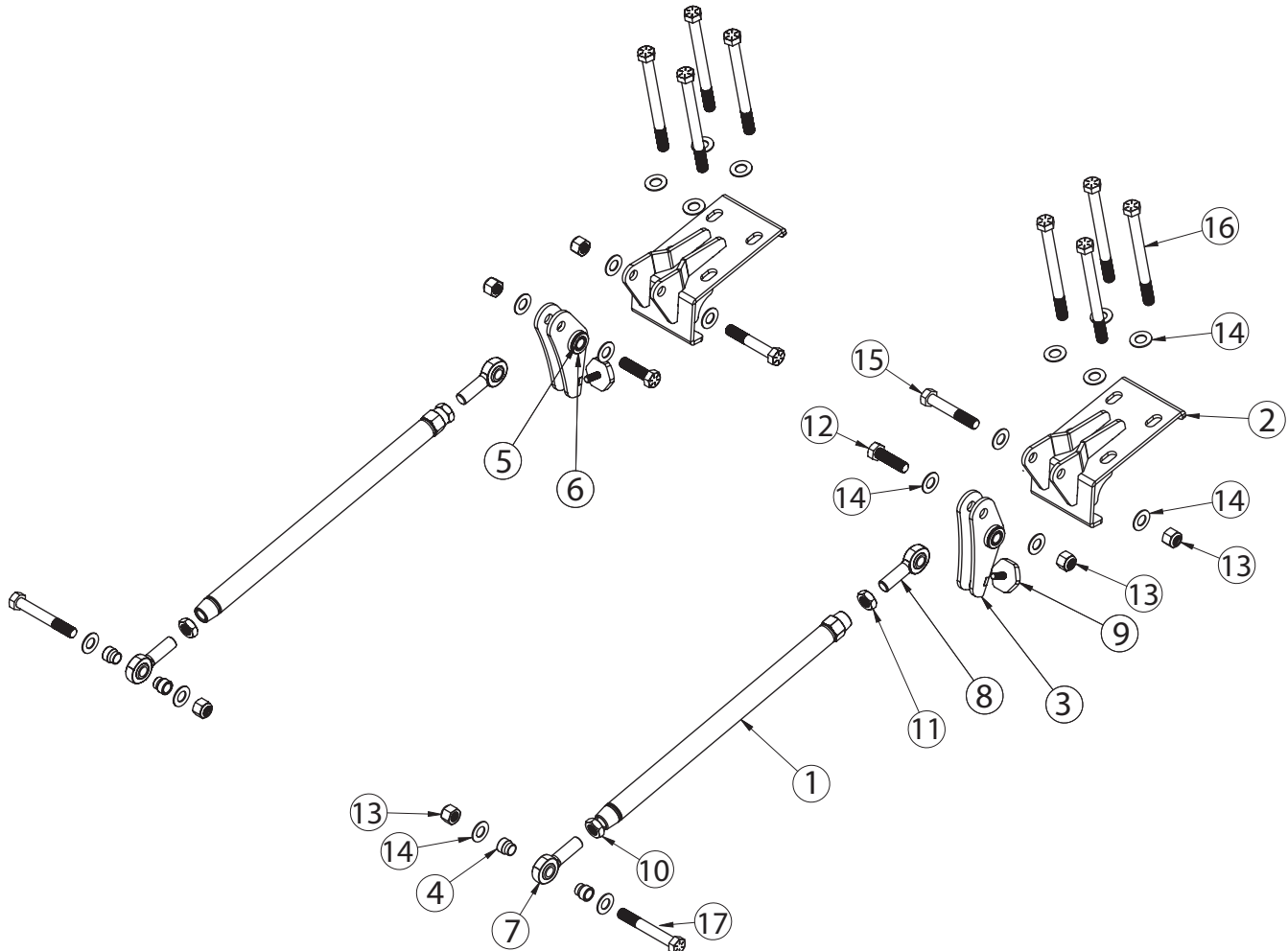
THIS KIT IS DESIGNED TO BE USED WITH THE RIDETECH REAR LOWERING KIT.





Major ComponentsIn the box

Item #	Part #	Description	QTY
1	90003096	Traction Bar Assembly	2
2	90003450	Traction Bar Pivot Mount	2
3	90003279	Traction Bar Pivot	2
4	90003291	Aluminum Spacer - Heim - .625" ID x .825 L	2
5	90003280	Traction Bar Pivot Inner Sleeve	2
6	70015436	Traction Bar Pivot Delrin Bushing	4
7	90001589	Heim End - 3/4"-16 RH x 5/8" Through Hole	2
8	90001591	Heim End - 3/4"-16 LH x 5/8" Through Hole	2
9	70013322	Traction Bar Pivot Bumpstop	2
10	99752004	3/4"-16 RH Jam Nut	2
11	99752006	3/4"-16 LH Jam Nut	2





Hardware Kit# 99010216

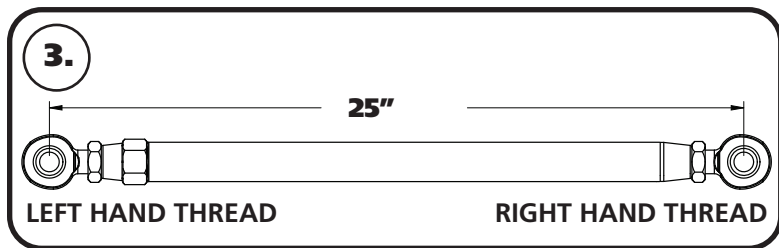
Item #	Part #	Description	QTY	Item #	Part #	Description	QTY
LINK TO PIVOT				AXLE MOUNT			
12	99621031	5/8"-18 x 2 1/4" Hex Bolt	2	14	99623001	5/8" SAE Flat Washer	8
13	99622001	5/8"-18 Nylok Nut	2	16	99621034	5/8"-18 x 7 1/2" Hex Bolt	8
14	99623001	5/8" SAE Flat Washer	4	LINK TO FRONT MOUNT			
	90002263	Red Loctite	1	13	99622001	5/8" 18 Nylok Nut	2
PIVOT TO AXLE MOUNT				14	99623001	5/8" SAE Flat Washer	4
13	99622001	5/8"-18 Nylok Nut	2	17	99621015	5/8"-18 x 4 1/2" Hex Bolt	2
14	99623001	5/8" SAE Flat Washer	4				
15	99621006	5/8"-18 x 3 3/4" Hex Bolt	2				

Getting Started.....

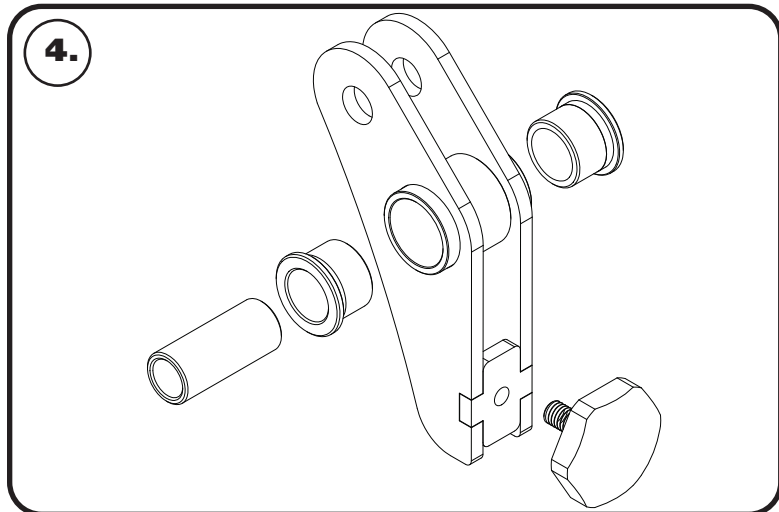
This traction bar kit utilizes delrin bushings in the pivot. The delrin bushings allow the pivots to move freely and quietly. The delrin is self-lubricating, no lubrication is required.

IF YOU ARE INSTALLING A RIDETECH FLIP KIT, INSTALL IT IN CONJUNCTION WITH THE TRACTION BARS.

1. Jack the vehicle up to a safe working height and support the truck frame of the truck with jack stands. Make sure the jack stands are stable before working under the truck.



3. Assemble each traction bar and set to 25" center to center. Each bar has Right Hand and Left Hand Threads. The LH threads are on the end with the hex. The kit includes (2) RH thread heims & 2 LH thread heims along with jam nuts for each. Snug the nuts by hand, but do not tighten until the bars have been adjusted.



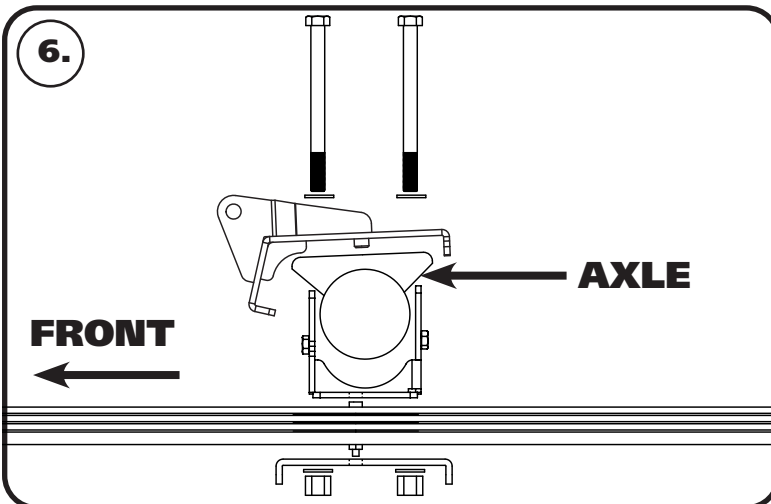
4. Assemble the pivot by pushing in the delrin bushings and inner sleeve. Next, apply red loctite to the threads of the bumpstop. Thread the bumpstop into the pivot.



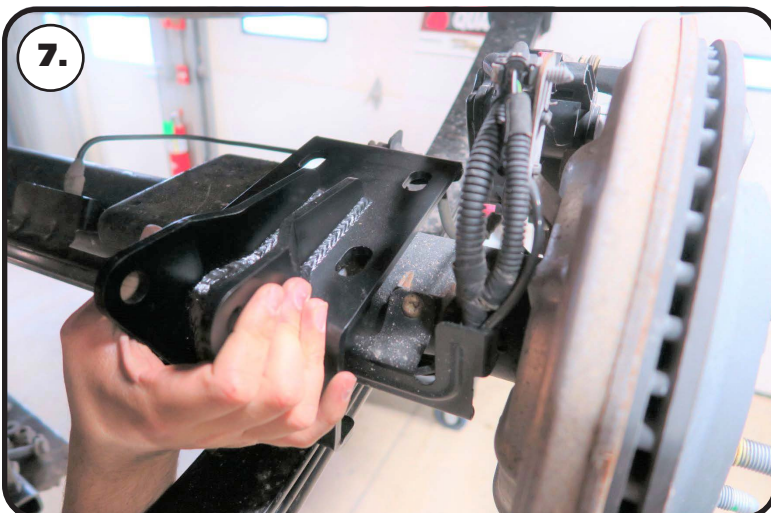
Traction Bar Installation



5. If your truck already has the Ridetech Flip Kit, you will be removing the spacer at the OEM leaf spring location. If installing in conjunction to the flip kit, refer to the flip kit instructions for additional install information. The front heim requires a .825" spacer on each side of the heim to position it in the front bracket. Install a 5/8" flat washer on a 5/8"-18 x 4" bolt. Start the bolt/washer in the outer tab of the front mount. Install a spacer on the bolt sticking through the outer tab. Slip the bolt into the heim and inert the 2nd spacer on the other side of the heim. Push the bolt all the way in and install a 5/8" flat washer and 5/8"-18 nylok nut. Torque to 115 ft-lbs.



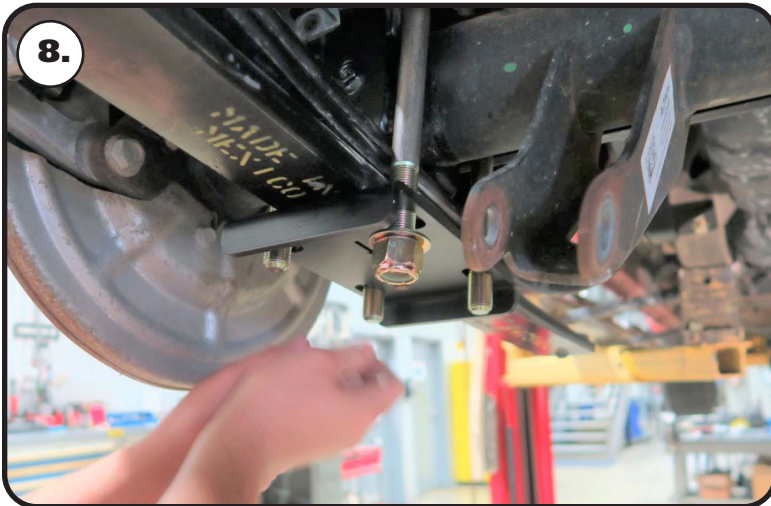
6. The traction bar kit uses an upper axle mount and 5/8"-18 x 7.5" hex bolts instead of using the u-bolts that are supplied in the flip kit. The pivot mount will be to the front of the truck with the locating pin nested into the hole of the OEM leaf spring mount.



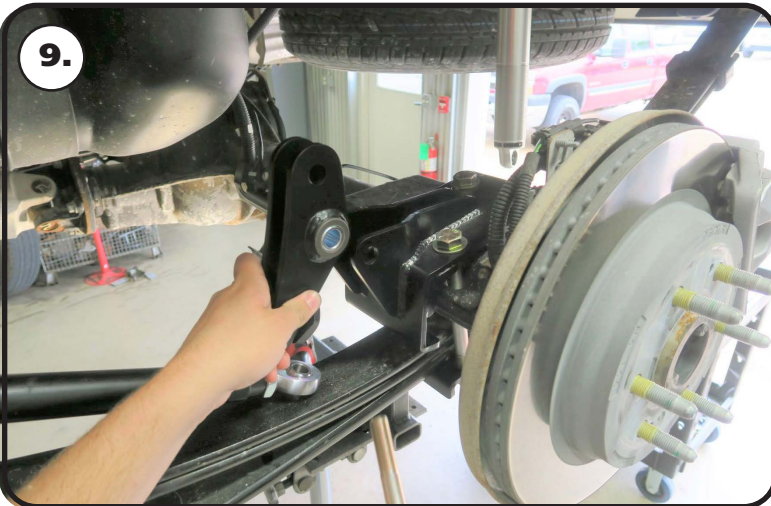
7. Sit the axle mount on top of the leaf spring pad with the locating pin nested into the center hole of the leaf spring pad.



Traction Bar Installation



8. Install a 5/8" flat washer on each of (4) 5/8"-18 x 7 1/2" hex bolt. Insert the bolt in through the axle mount. Slip the lower leaf spring bracket up onto the U-Bolts WITH THE OFFSET HOLE FORWARD. THE ARROW ON THE BRACKET SHOULD POINT TO THE FRONT OF THE TRUCK. Hold the Leaf Spring Bracket in place and install a 5/8" Flat Washer & 5/8"-18 Nylok Nut on the threads of the u-bolts. Snug the nuts down evenly and tighten them in a criss-cross fashion to 130 ftlbs



9. Insert the pivot/bar into the axle mount. The pivot needs to be installed with the bar mount at the top and the bumpstop to the axle mount.



10. Install a 5/8" flat washer on a 5/8"-18 x 3 3/4" bolt. With the mounting holes aligned with the pivot inner sleeve, insert the bolt/washer. Install a 5/8" flat washer & 5/8"-18 nylok nut on the bolt. Torque to 115 ft-lbs.



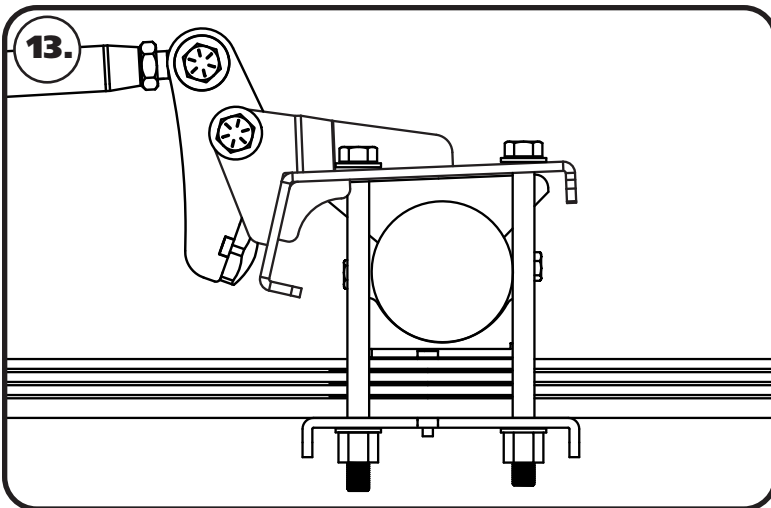
Traction Bar Installation



11. Insert the rear heim end into the ears of the axle pivot. Align the mounting holes with the through hole of the rod end. Install a 5/8" flat washer on a 5/8"-18 x 2 1/2" bolt. Insert the bolt/washer through the aligned holes. Install a 5/8" flat washer and 5/8"-18 nylok nut on the threads of the bolt. Torque to 115 ft-lbs. Repeat **Steps 3-11** for the other side.

Final Tightening & Adjustment

12. SET THE TRUCK ON THE GROUND TO CHECK THE ADJUSTMENT OF THE TRACTION BARS!



13. WITH THE TRUCK ON THE GROUND, THE SET LENGTH OF THE BARS NEED TO BE CHECKED. The bars need to be set so there is approximately 1/8" gap between the bumpstop and axle mount. Adjust the traction bar to get this gap set. After you check the gap, tighten the jam nuts on the traction bar.