



350 S. St. Charles St. Jasper, In. 47546
 Ph. 812.482.2932 Fax 812.634.6632
www.ridetech.com

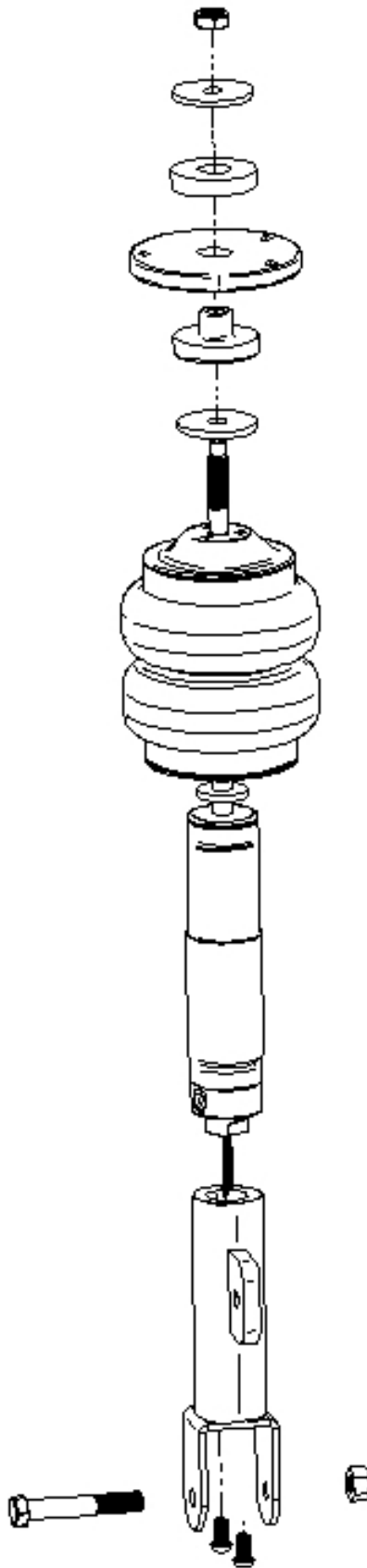
Part # 13042401
Mopar LX Platform Front Shockwave – Single Adjustable
05-08 Magnum / 05-Up 300C / 06-Up Charger / 08-Up Challenger

2	21290199	1000 Master Series double convoluted bellow assembly (with special bottom for 5" stroke shock)
2	21359999	5" stroke shock w/ threaded bottom – Single adjustable
2	90001632	Internal bump stop
2	90001906	2" Stud top (Stud top base not needed)
2	90001668	(SKW076) Aluminum lower shock mount
2	90000716	(A953) Lower Shockwave steel bracket
4	90002229	Steel washer for rubber mount (2.375" O.D.)
2	90001974	Upper rubber isolator
2	90001973	Lower rubber isolator (T-shaped)
2	90001971	Aluminum upper ShockWave plate
2	FIT4201	1/4" x 1/4" swivel elbows

Hardware:

2	9/16" SAE Nylok jam nut	Stud top to upper mount
2	9/16" x 3 1/2" SAE bolt	Lower bracket to lower arm
2	9/16" SAE Nylok nut	Lower bracket to lower arm
6	3/8" x 1 1/2" USS bolt	Aluminum plate to body
6	3/8" USS Nylok nut	Aluminum plate to body
12	3/8" SAE washer	Aluminum plate to body
4	3/8" x 3/4" BHCS	Lower bracket to aluminum mount (Use Loc-tite)
2	1/2" x 1 3/4" set screw	Aluminum mount to shock (Use Loc-tite)

Mopar LX Front ShockWave Assembly



SHOCKwave[®]

by Air Ride Technologies

Installation Instructions

1. Raise the vehicle to a safe and comfortable working height with the suspension hanging freely.
2. Remove the factory struts and upper mounts, refer to the service manual for proper disassembly procedures.



3. Bolt the aluminum upper plate to the car in place of the factory rubber mount using the 3/8" x 1 1/4" bolts, flat washer and Nylok nuts.

Note: The recessed side of the plate must face down.

4. Place one of the 2.375" steel washers over the threaded stud. Then slide the T shaped rubber bushing over the stud. Place the Shockwave into the coil spring pocket with the stud protruding through the hole in the aluminum plate.

5. From the engine bay, place the other rubber bushing over the stud, then another steel plate. Secure the assembly with a 9/16" SAE Nylok Jam nut. **Note:** Some cars may have a plastic over in the engine bay that may need to be clearance for the adjustment knob.

6. Bolt the bottom of the Shockwave assembly to the lower arm using a 9/16" x 3 1/2" bolt and Nylok nut.

7. Attach sway bar to Shockwave using the factory hardware.




8. Apply thread sealant to an elbow air fitting and screw it into the top of the Shockwave.

9. Route the airline. Allow slack for suspension movement.

10. Check air spring clearance through full suspension travel.

Allowing the Shockwave to rub on anything will result in air spring failure and in not a warrantable situation.

11. Ride height on this car is approximately 2" lower than factory. On most vehicle this will occur around 100psi, but will vary per vehicle.

ridetech 
Air Ride Technologies