

# MSD INSTALLATION INSTRUCTIONS

## MSD Pro Mag Timing Tape PN 8126MSD

The Pro Mag Timing Tape is provided to let you get the timing within your specifications before you fire the engine. It is recommended to check the timing with a timing light for complete accuracy.

**Note:** The degrees are indicated in crankshaft degrees.

### RECOMMENDED INSTALLATION

**Dual Mag Setups:** It is recommended to apply the Tape to the generator housing just above the Stabilizer bracket and scribe a mark on the bracket (Figure 1).

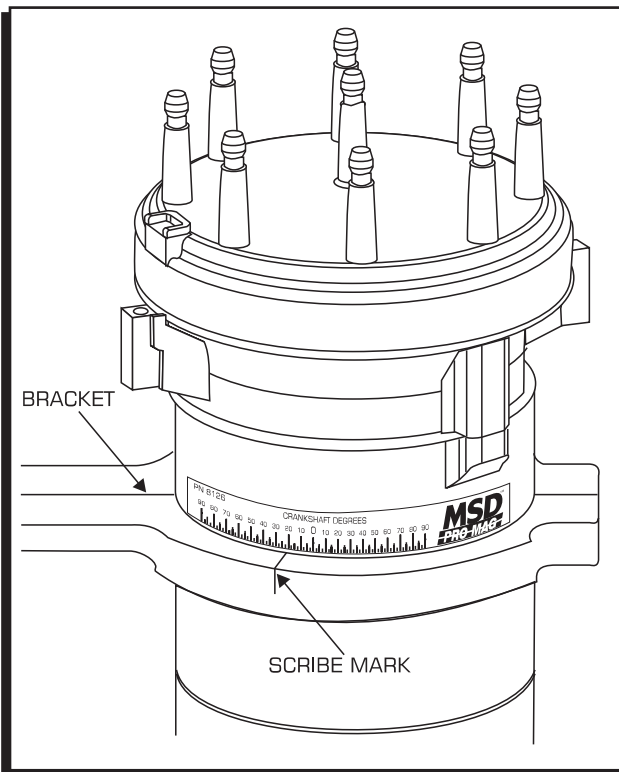


Figure 1 Dual Mag Setup.

**Single Mag Setups:** The Tape can be applied to the housing near the base and a pointer can be fabricated (Figure 2). Note: If you do fabricate a pointer, it must be solid. Any movement in the pointer will result in inaccurate timing settings.

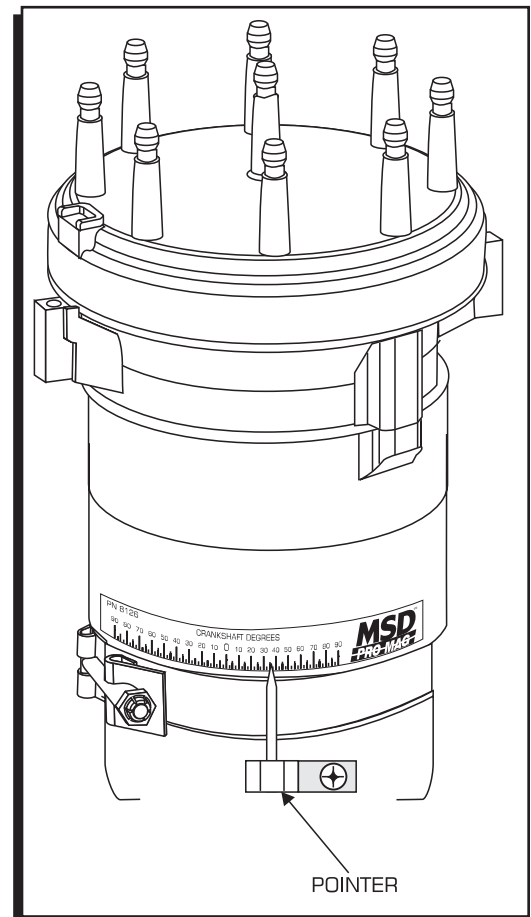


Figure 2 Single Mag Setup.