

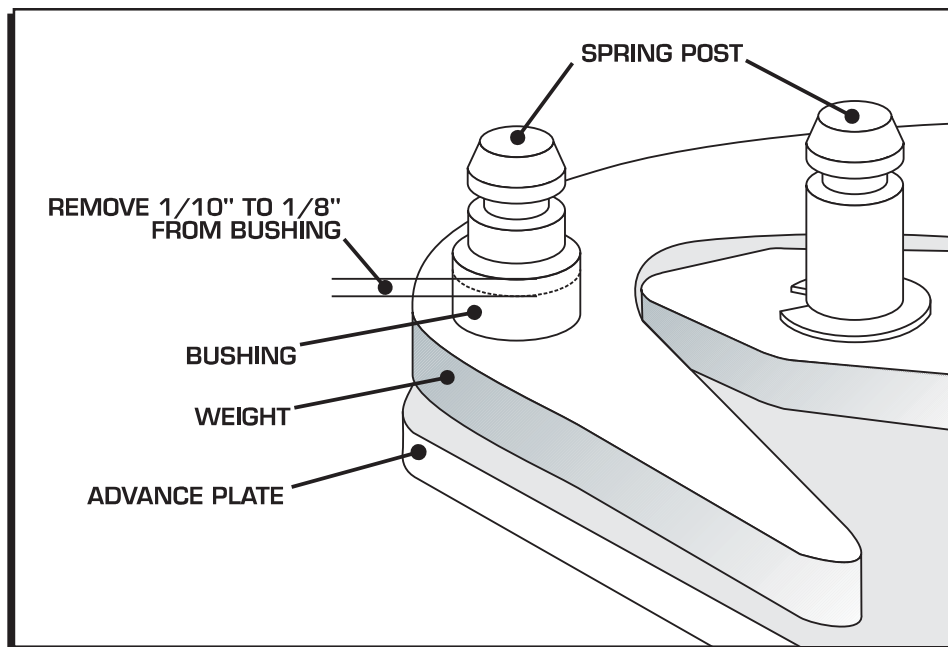
**MSD GM HEI Rotor,  
PN 8410****Parts Included:**

1 - HEI Rotor

The MSD GM HEI Rotor will install on stock GM HEI Distributors and the MSD Pro-Billet HEI Distributor.

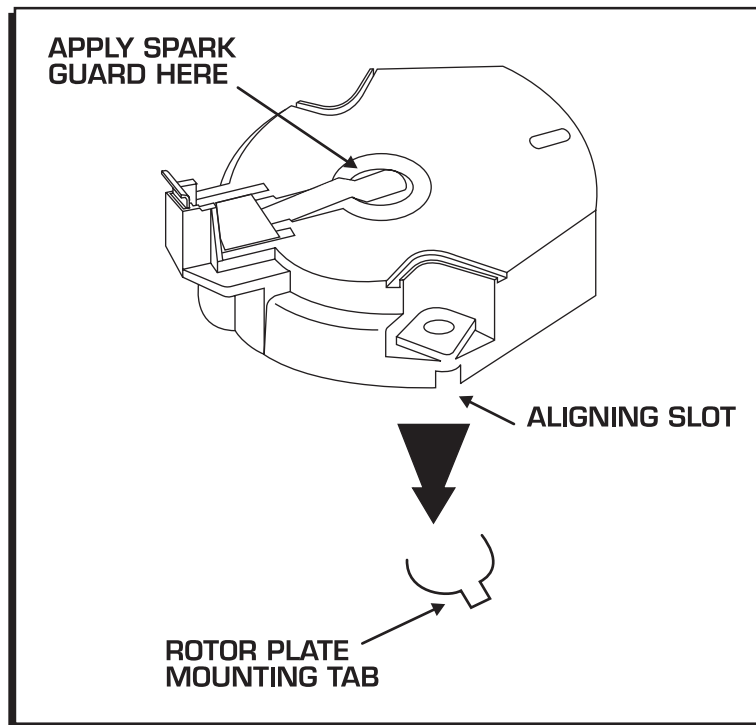
1. Remove the distributor cap. Remove the two screws on the side of the rotor and pull the rotor off.
2. Inspect the distributor advance mechanism, springs and weights for wear or damage.

**Note:** If the distributor has aftermarket weights and bushings, interference between the bottom of the rotor and the bushing may result. To eliminate the chance of interference, remove approximately 1/10" to 1/8" of the bushing (Figure 1).



**Figure 1 Modifying Aftermarket Weight Bushings.**

3. For improved protection against spark arc-through, apply a small amount of MSD Spark Guard in the rotor well area (Figure 2). This is not necessary, just added protection.
4. The Rotor will only install one way. Make sure the aligning slot lines up with the rotor plate mounting tab (Figure 2). Tighten the screws and install the cap and wires.



**Figure 2 Installing the MSD HEI Rotor.**

### Service

In case of malfunction, this MSD component will be repaired free of charge according to the terms of the warranty. When returning MSD components for service, Proof of Purchase must be supplied for warranty verification. After the warranty period has expired, repair service is charged based on a minimum and maximum charge.

Send the unit prepaid with proof of purchase to the attention of: **Customer Service Department, Autotronic Controls Corporation, 12120 Esther Lama, Suite 114, Docks 5-8, El Paso, Texas 79936.**

When returning the unit for repair, leave all wires at the length in which you have them installed. Be sure to include a detailed account of any problems experienced, and what components and accessories are installed on the vehicle.

The repaired unit will be returned as soon as possible after receipt, COD for any charges. For more information, call the MSD Customer Service Line (915) 855-7123. MSD technicians are available from 8:00 a.m. to 5:00 p.m. Monday - Friday (mountain time).

### Limited Warranty

Autotronic Controls Corporation warrants MSD Ignition products to be free from defects in material and workmanship under normal use and if properly installed for a period of one year from date of purchase. If found to be defective as mentioned above, it will be replaced or repaired if returned prepaid along with proof of date of purchase. This shall constitute the sole remedy of the purchaser and the sole liability of Autotronic Controls Corporation. To the extent permitted by law, the foregoing is exclusive and in lieu of all other warranties or representations whether expressed or implied, including any implied warranty of merchantability or fitness. In no event shall Autotronic Controls Corporation be liable for special or consequential damages.