

MSD IGNITION INSTALLATION INSTRUCTIONS

MSD Module Selectors Two Step, PN 8739 Three Step, PN 8737

Parts Included:

1 - Module Selector

4 - Mounting Screws

1 - Parts Bag, Wiring Terminals

Note: Do NOT use solid core spark plug wires with any MSD component.

The MSD Module Selectors provide the ability to switch between two or three different rpm or degree modules. The different modules are activated when 12 volts are applied to the corresponding activation wire. The Selectors work with either a Soft Touch Rev Control or any MSD Timing Control that uses plug-in modules.

- The 2-Step Module Selector switches between two modules.
- The 3-Step Module Selector switches between three modules.

ACTIVATION WIRES	
Module 2	This is the default module. It is active when no voltage is present on the other wires.
Module 1	Active when 12 volts are applied to the Red Wire.
Module 3	Active when 12 volts are applied to the Blue Wire. (3-Step Only)
Note: If 12 volts are applied to the Red and Blue wires at the same time, Module 3 will be active.	

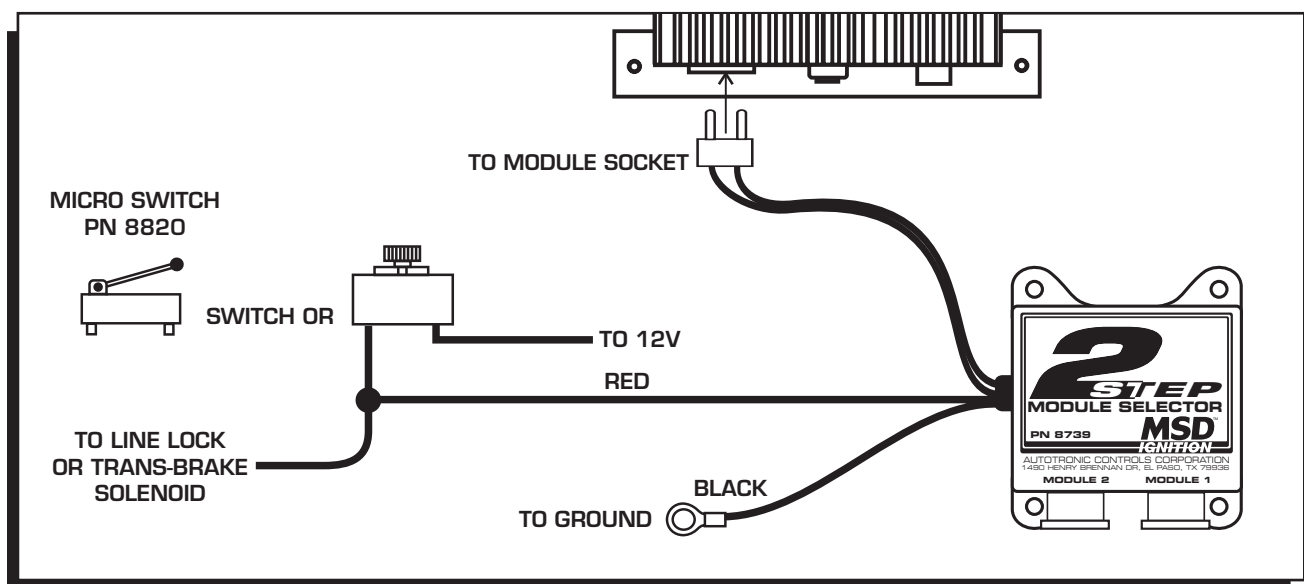
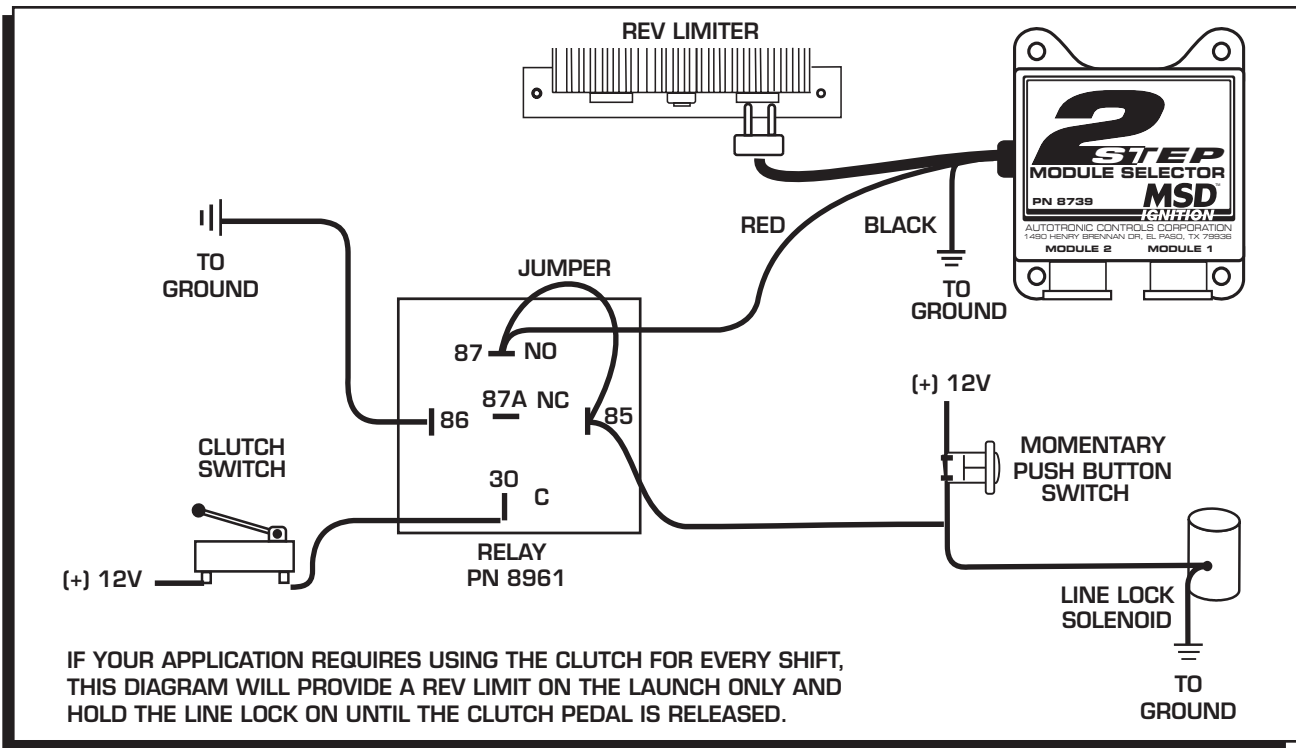


Figure 1 Basic Two Step Module Selector Installation.



IF YOUR APPLICATION REQUIRES USING THE CLUTCH FOR EVERY SHIFT, THIS DIAGRAM WILL PROVIDE A REV LIMIT ON THE LAUNCH ONLY AND HOLD THE LINE LOCK ON UNTIL THE CLUTCH PEDAL IS RELEASED.

Figure 2 Wiring a Two Step to a Latching Relay.

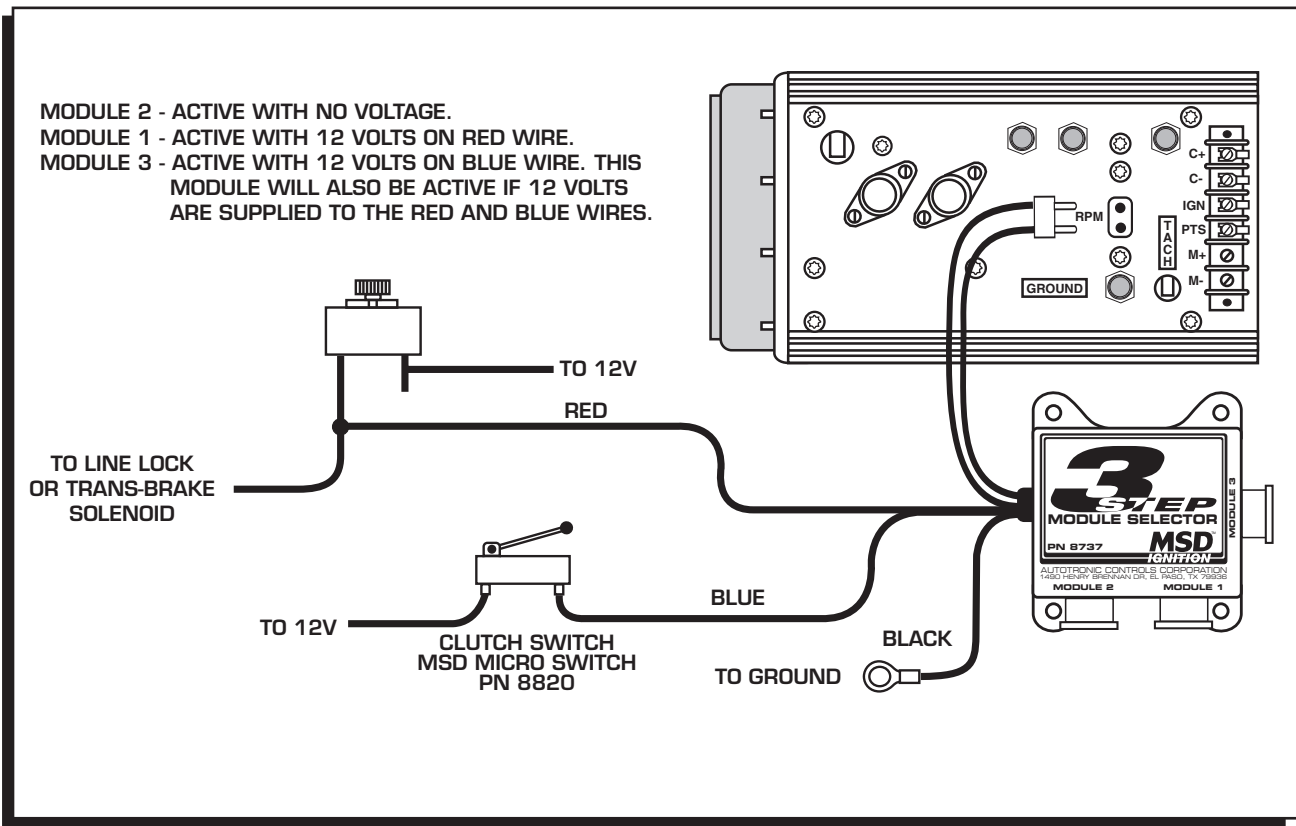


Figure 3 Basic Three Step Installation.

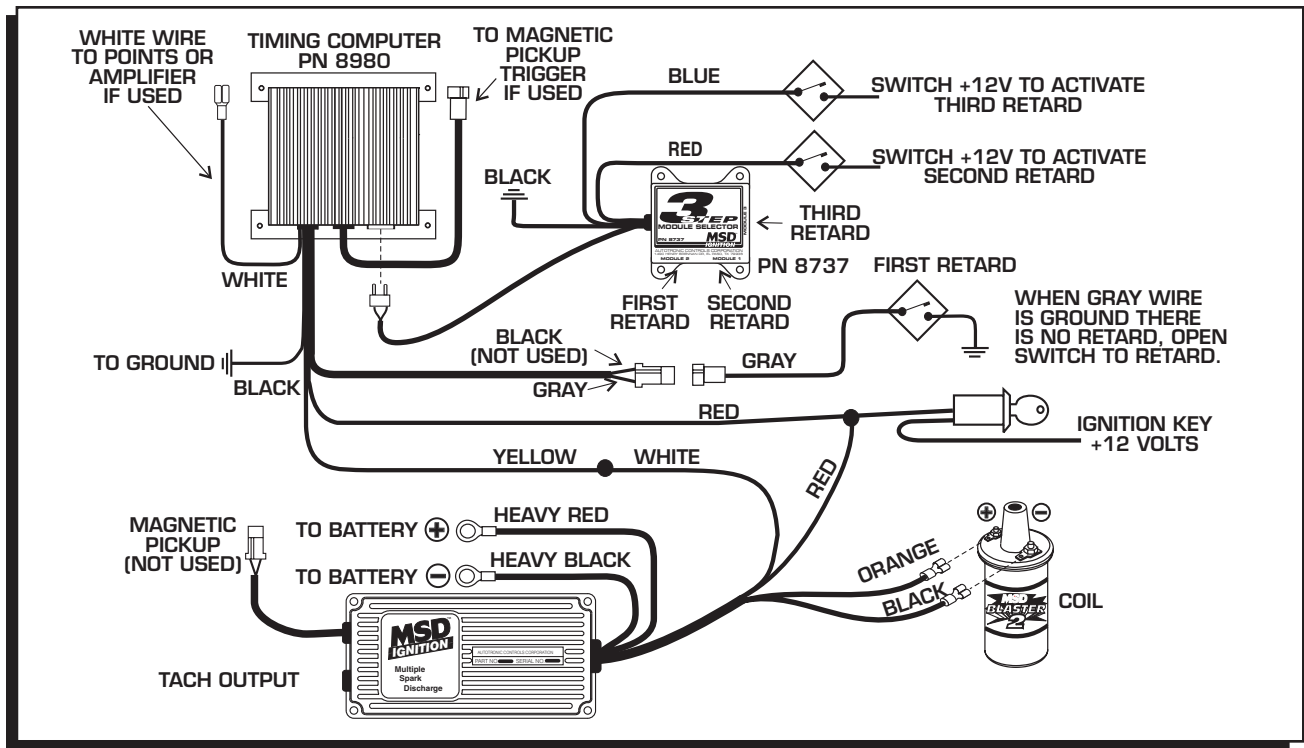


Figure 4 Wiring a Three Step to a Timing Control for Multiple Retards.

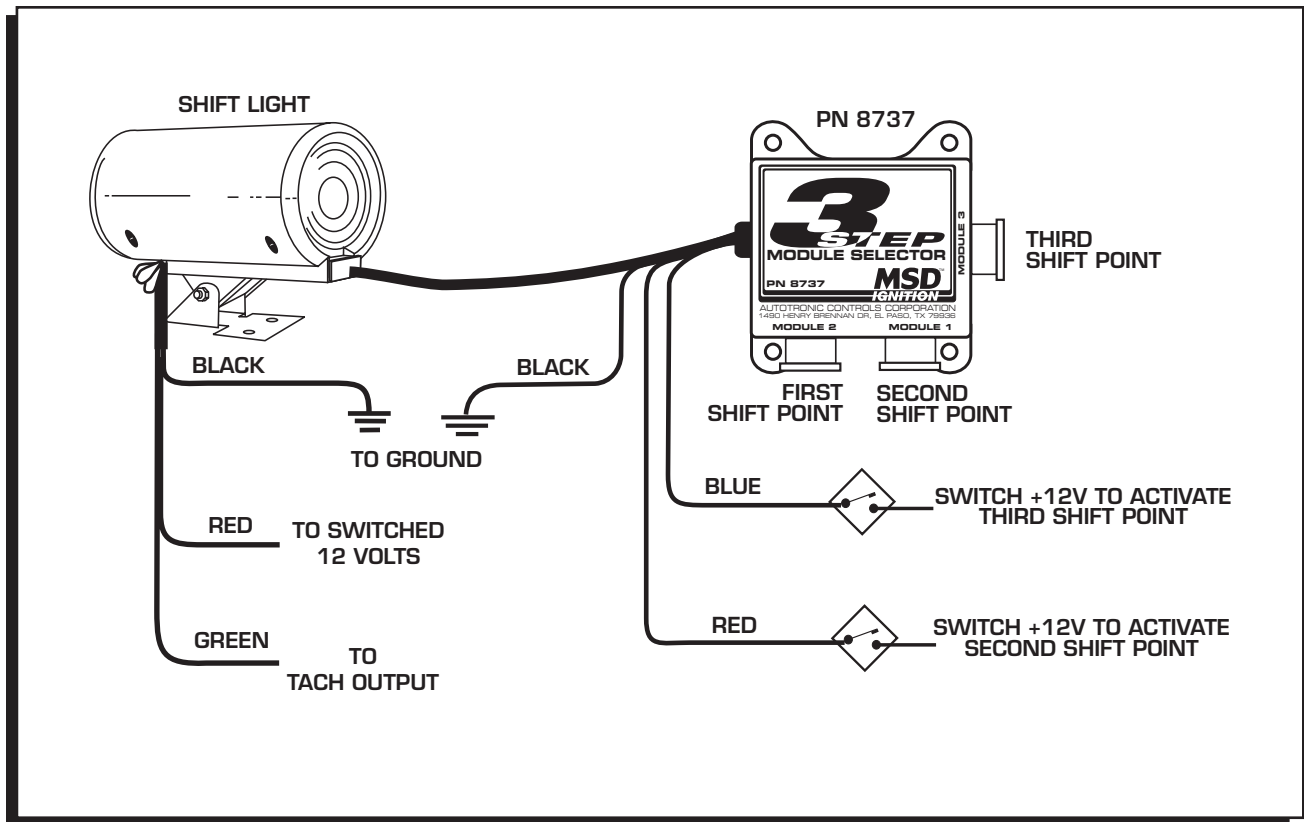


Figure 5 Wiring a Three Step to a Shift Light for Multiple Shift Points.



INSTALLATION INSTRUCTIONS

TECH NOTES

Service

In case of malfunction, this MSD component will be repaired free of charge according to the terms of the warranty. When returning MSD components for warranty service, **Proof of Purchase** must be supplied for verification. After the warranty period has expired, repair service is based on a minimum and maximum fee.

All returns must have a Return Material Authorization (RMA) number issued to them before being returned. To obtain an RMA number please contact MSD Customer Service at 1 (888) MSD-7859 or visit our website at www.msdisignition.com/rma to automatically obtain a number and shipping information.

When returning the unit for repair, leave all wires at the length in which you have them installed. Be sure to include a detailed account of any problems experienced, and what components and accessories are installed on the vehicle. The repaired unit will be returned as soon as possible using Ground shipping methods (ground shipping is covered by warranty). For more information, call MSD Ignition at (915) 855-7123. MSD technicians are available from 7:00 a.m. to 6:00 p.m. Monday - Friday (mountain time).

Limited Warranty

MSD IGNITION warrants this product to be free from defects in material and workmanship under its intended normal use*, when properly installed and purchased from an authorized MSD dealer, for a period of one year from the date of the original purchase. This warranty is void for any products purchased through auction websites. If found to be defective as mentioned above, it will be repaired or replaced at the option of MSD Ignition. Any item that is covered under this warranty will be returned free of charge using Ground shipping methods.

This shall constitute the sole remedy of the purchaser and the sole liability of MSD Ignition. To the extent permitted by law, the foregoing is exclusive and in lieu of all other warranties or representation whether expressed or implied, including any implied warranty of merchantability or fitness. In no event shall MSD Ignition or its suppliers be liable for special or consequential damages.

*Intended normal use means that this item is being used as was originally intended and for the original application as sold by MSD Ignition. Any modifications to this item or if it is used on an application other than what MSD Ignition markets the product, the warranty will be void. It is the sole responsibility of the customer to determine that this item will work for the application they are intending. MSD Ignition will accept no liability for custom applications.