

## **Electric Fan Harness & Relay Kit for 195°F Thermostat PN 89616**

**ONLINE PRODUCT REGISTRATION:** Register your MSD product online. Registering your product will help in case of a warranty or recall. Go to [www.msperformance.com/registration](http://www.msperformance.com/registration).

### **Parts Included:**

1- Relay	1 - Thermoswitch
1- Harness w/Connector	Mounting and Connecting Hardware
1- Circuit Breaker	



**WARNING** Keep your hands clear of the fan since it may restart automatically when the circuit breaker resets.

## **INSTALLATION**

This fan kit can be used with one or two electric fans as long as the total amperage draw does not exceed 30 amps.

Check for coolant leaks before starting the vehicle.

Route the wires away from heat and sharp metal edges that may cause melting or damage to the wires.

Use crimping tools or solder and heat shrink tubing when making wiring connections.

Do not use electrical tape to hold the wires together.

1. For best results, mount the relay as close as possible to the electric fan.
2. Mount the relay connector to the vehicle using the sheet metal screws.
3. Mount the thermoswitch into the cylinder head or intake manifold, so the bottom of the switch is immersed in coolant.

**NOTE: Use paste pipe thread sealant (i.e. D024ERL) on the temperature switch threads. Do NOT use plumber's sealing tape on the threads of the temperature switch, this insulates the switch from ground and it will not work correctly.**

4. Route and connect the GREY 18-gauge wire to the thermoswitch. Crimp the 1/4" spade connector to the GREY wire and attach to the thermoswitch.
5. Route and connect the BLUE 12-gauge wire to the POSITIVE (+) wire on the electric fan motor. Some fans can be run in reverse by connecting the POSITIVE wire to the NEGATIVE (-) wire on the electric fan motor (some fans cannot be run in reverse using this method).
6. Mount the circuit breaker near the power source you will be using to power the fan(s).
7. Route and cut the RED 10-gauge wire so that it terminates near the circuit breaker. Use the ring crimp terminals to connect the circuit breaker in-line with the power circuit.

**Note:** The circuit breaker will make a "pop" sound if the system is overloaded, and will automatically reset once it has cooled down.

8. Route the YELLOW 18-gauge wire to the ignition switch or manually controlled fan switch (for driver control of the electric cooling fan).

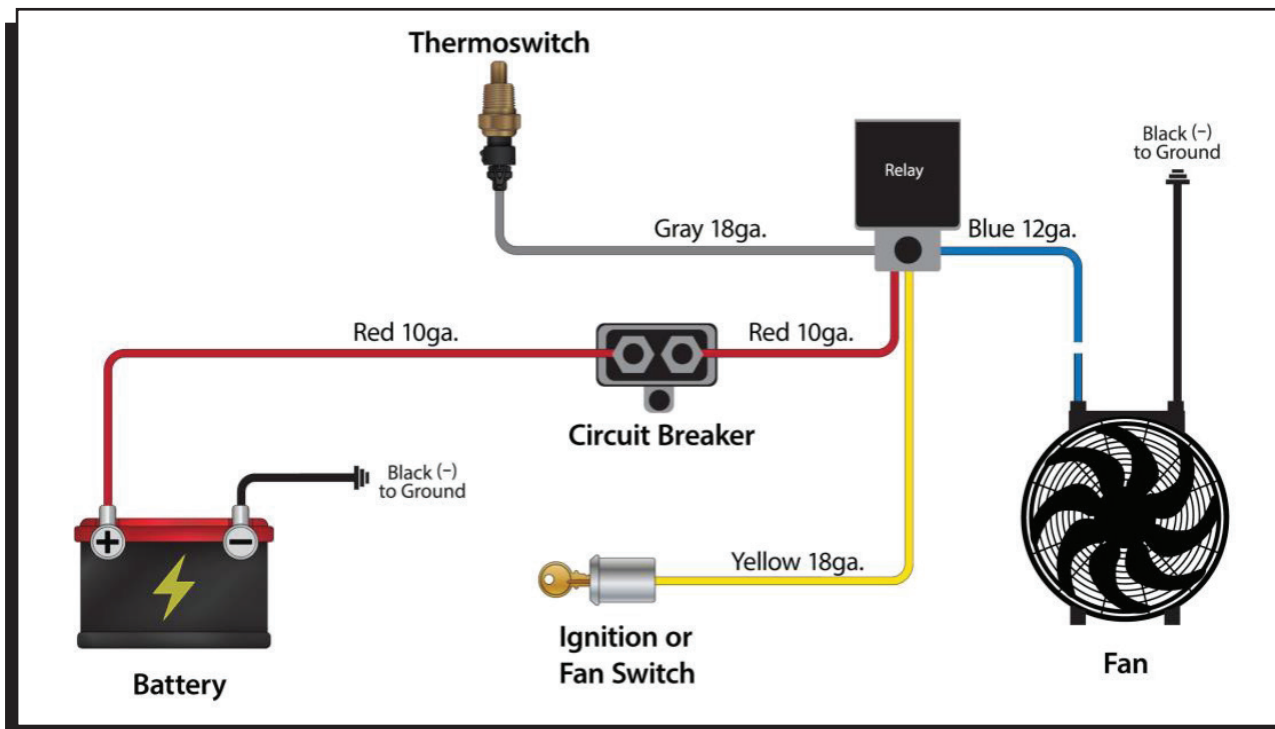


Figure 1 Wiring of the Electric Fan Harness & Relay

### Service

In case of malfunction, this MSD component will be repaired free of charge according to the terms of the warranty. When returning MSD components for warranty service, **Proof of Purchase** must be supplied for verification. After the warranty period has expired, repair service is based on a minimum and maximum fee.

**All returns must have a Return Material Authorization (RMA) number** issued to them before being returned. To obtain an RMA number please contact MSD Customer Service at 1 (888) MSD-7859 or visit our website at [www.msperformance.com/rma](http://www.msperformance.com/rma) to automatically obtain a number and shipping information.

When returning the unit for repair, leave all wires at the length in which you have them installed. Be sure to include a detailed account of any problems experienced, and what components and accessories are installed on the vehicle. The repaired unit will be returned as soon as possible using Ground shipping methods (ground shipping is covered by warranty). For more information, call MSD at (915) 855-7123. MSD technicians are available from 7:00 a.m. to 5:00 p.m. Monday - Friday (mountain time).

### Limited Warranty

MSD warrants this product to be free from defects in material and workmanship under its intended normal use\*, when properly installed and purchased from an authorized MSD dealer, for a period of one year from the date of the original purchase. This warranty is void for any products purchased through auction websites. If found to be defective as mentioned above, it will be repaired or replaced at the option of MSD. Any item that is covered under this warranty will be returned free of charge using Ground shipping methods.

This shall constitute the sole remedy of the purchaser and the sole liability of MSD. To the extent permitted by law, the foregoing is exclusive and in lieu of all other warranties or representation whether expressed or implied, including any implied warranty of merchantability or fitness. In no event shall MSD or its suppliers be liable for special or consequential damages.

\*Intended normal use means that this item is being used as was originally intended and for the original application as sold by MSD. Any modifications to this item or if it is used on an application other than what MSD markets the product, the warranty will be void. It is the sole responsibility of the customer to determine that this item will work for the application they are intending. MSD will accept no liability for custom applications.