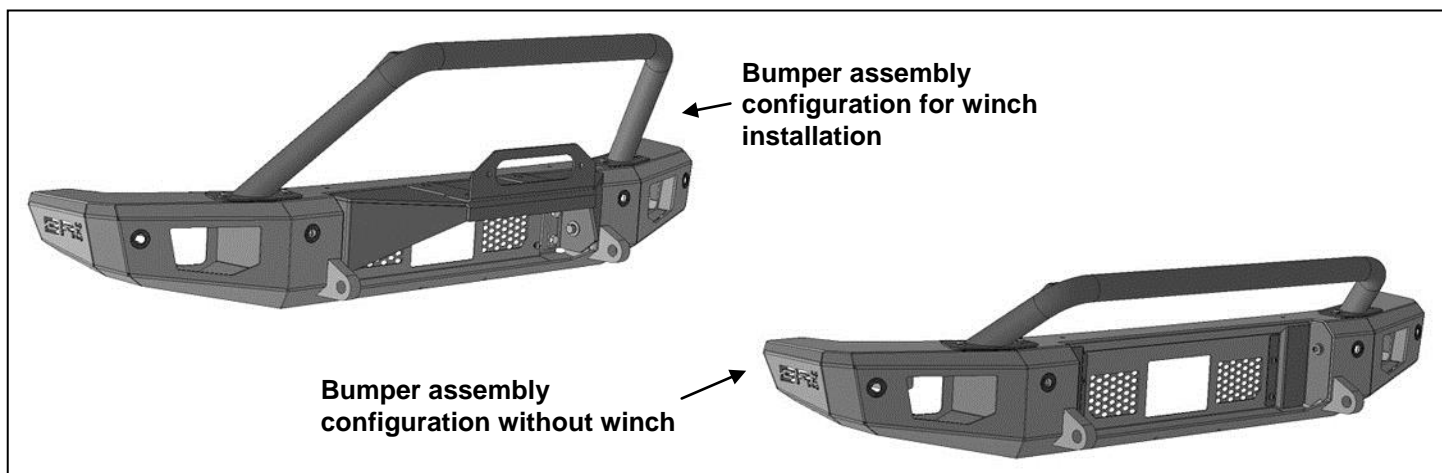
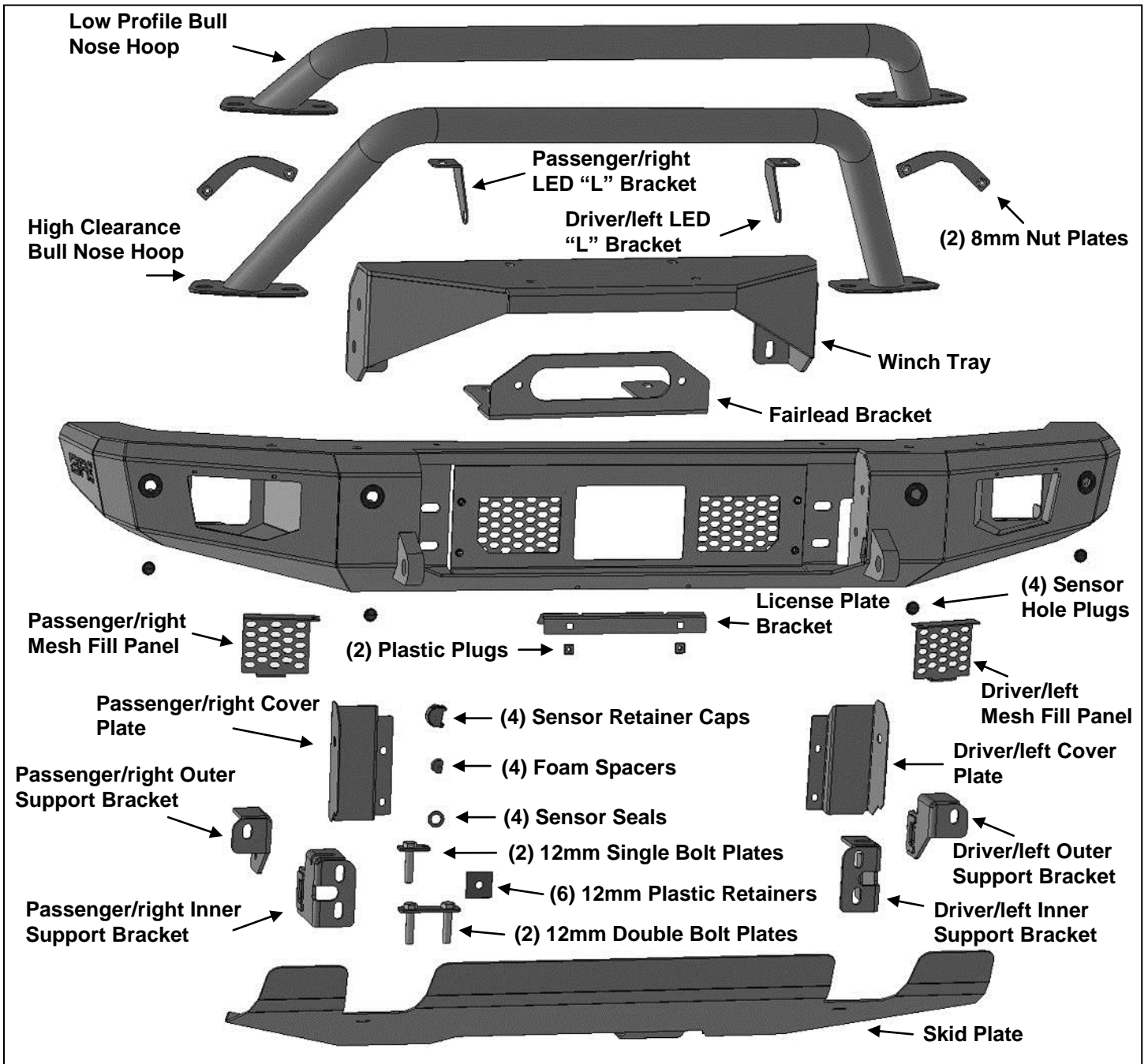


2021-2023 FORD BRONCO ODYSSEY FRONT BUMPER PART #FB-19534

PARTS LIST:

1	Front Bumper	10	12mm x 32mm x 3mm Large Flat Washers
		2	12mm x 24mm x 2.5mm Small Flat Washers
		12	12mm Lock Washers
1	Winch Tray Assem.	6	12-1.75mm Hex Nuts
1	Fairlead Bracket	2	10-1.5mm x 110mm Hex Bolts
1	Skid Plate	2	10-1.5mm x 30mm Button Head Bolts
		4	10mm x 30mm x 2.5mm Large Flat Washers
		4	10mm x 20mm x 2mm Small Flat Washers
1	Driver/left Mesh Fill Panel	2	10mm Lock Washers
1	Passenger/right Mesh Fill Panel	2	10-1.5mm Hex Nuts
1	Driver/left Inner Support Bracket	2	10-1.5mm Nylon Lock Nuts
1	Passenger/Right Inner Support Bracket	2	8mm Double Nut Plates
1	Driver/left Outer Support Bracket	4	8-1.25mm x 25mm Button Head Bolts
1	Passenger/Right Outer Support Bracket	2	8-1.25mm x 25mm Hex Bolts
1	Driver/left LED "L" Bracket	2	8-1.25mm x 16mm Hex Bolts
1	Passenger/Right LED "L" Bracket	10	8mm x 24mm x 2mm Flat Washers
1	License Plate Bracket	8	8mm Lock Washers
2	Plastic Plugs for License Plate	2	8mm Hex Nuts
4	Sensor Retaining Caps	8	6-1.0mm x 20mm Combo Bolts
4	20mm x 10mm Foam Spacers	2	6-1.0mm x 20mm Button Head Bolts
4	15.5mm x 25mm x 2mm Foam Washer	4	6mm x 18mm x 1.6mm Flat Washers
4	Plastic Sensor Hole Plugs	2	6mm Nylon Lock Nuts
1	Sensor Cover Kit	4	6mm Flange Nuts
6	12mm Plastic Retainers	8	4mm Self Tapping Screws
2	12mm x 55mm Double Bolt Plates	1	8mm Wrench
2	12mm x 55mm Single Bolt Plates	1	6mm Wrench
2	12-1.75mm x 30mm Button Head Bolts	1	5mm Wrench
4	12-1.75mm x 40mm Hex Bolts	1	4mm Wrench
		10	Nylon Wire Ties





PROCEDURE:

REMOVE CONTENTS FROM BOX AND VERIFY ALL PARTS ARE PRESENT. READ INSTRUCTIONS CAREFULLY. ASSISTANCE IS HIGHLY RECOMMENDED.

1. Start installation from under the front of the vehicle and remove the splash guard, (Figure 1).
2. Determine if the vehicle is equipped with plastic bumper cover or steel option bumper.

Models with plastic bumper cover:

- a. Remove the plastic covers from the front of the bumper, (Figures 1 & 2).

Models with optional steel bumper:

- a. Remove the covers surrounding the tow hooks, (Figure 3).

3. Unplug the wiring harness leading to the front bumper. **NOTE:** Harness plug is located behind the driver/left side of the bumper below the headlight, **(Figure 3)**.
4. From the front, remove the factory hex bolts attaching the bumper assembly to the end of the frame, **(Figures 2—4)**. **NOTE:** Use assistance to hold the bumper in place while removing the mounting bolts.
5. On models with plastic bumper only, remove the seals around the lower tow hooks.
6. Remove the plastic nuts attaching the triple nut plate to the back of the driver/left bumper mounting flange on the end of the frame, **(Figure 5)**. Remove the triple nut plate.
7. Select the driver/left inner and outer Support Brackets, **(Figure 6)**. Attach the Support Brackets to the sides of the frame with the included (1) 10mm x 110mm Hex Bolt, (2) 10mm x 30mm Large Flat Washers, (1) 10mm Lock Washer and (1) 10mm Hex Nut, **(Figures 6 & 7)**. Push Support Brackets up against back of flange on frame, **(Figure 7)**.
8. Repeat **Steps 6 & 7** to attach the passenger/right Inner and Outer Support Brackets.
9. Carefully unwrap the Bumper.
10. Determine if vehicle is equipped with parking sensors.
Models without parking sensors:
 - a. From the front of the bumper, push the included Plastic Plugs into the Sensor Mounts, **(Figure 8)**.**Models with parking sensors:**
 - a. Remove the wiring harness and sensors from the factory bumper.
 - b. Select the driver/left side outer sensor.
 - c. Remove the silicone seal from the end of the sensor, **(Figure 9)**. Slide the included larger Sensor Seal over front of sensor.
 - d. Insert sensor with Seal into sensor mount on back of Bumper, **(Figure 10)**.
 - e. Place Foam Spacer over end of sensor. Push Sensor Retaining Cap onto sensor mount and lock into mounting holes, **(Figure 10)**.
 - f. Repeat previous **Steps** to install remaining sensors.
 - g. Install the factory wiring harness and plug into sensors, **(Figure 11)**.
 - h. Attach harness to back of Bumper.
11. Determine if Mesh Fill Panels or cube style accessory lights will be installed. **NOTE:** Lights not included.
Mesh Fill Panel installation, do not install lights with Fill Panels:
 - a. Select the driver/left Fill Panel. Attach Fill Panel to mounting tabs on back of the Bumper with the included (2) 6mm x 20mm Button Head Combo Bolts and (2) 6mm Flange Nuts, **(Figures 12 & 13)**. Repeat this **Step** to attach the passenger/right Mesh Fill Panel.**Light installation (do not install Mesh Fill Panels-NOTE: lights not included):**
 - a. Attach light to slot in driver/left side of Bumper, **(Figure 12)**. Repeat to attach passenger/right light.
12. Select the desired Top Hoop. Attach Hoop to the top of the Bumper with the included (4) 8mm x 25mm Button Head Bolts, (4) 8mm Lock Washers, (4) 8mm Flat Washers and (2) 8mm Double Nut Plates, **(Figure 14)**. **NOTE:** Installation is optional. Fully tighten Hoop hardware.
 - a. **Models without winch**, install the low-profile Bull Bar Hoop (optional).
 - b. **Models with winch**, install the taller Bull Bar Hoop for winch clearance (optional).
13. Determine if winch will be installed.
Models without winch:
 - a. Insert (1) Double Bolt Plate through the front of the Bumper, **(Figure 15)**. Insert (1) 12mm Single Bolt Plate through the outer mounting hole in the driver/left mounting plate on the back of the Bumper, **(Figure 16)**. Thread (3) 12mm Plastic Retainers onto the Bolt Plates to help hold them in place.
 - b. Repeat previous **Step** to install the Single and Double Bolt Plates on the passenger/right side.
 - c. With assistance, hold the Bumper assembly up to the end of the frame and Support Brackets. Guide the Bolt Plates through the frame and Support Brackets. Attach the driver/left end of the Bumper to the frame and Brackets with the included (3) 12mm x 32mm Large Flat Washers, (3) 12mm Lock Washers and (3) 12mm Hex Nuts, **(Figures 17—19)**. Repeat this **Step** to attach the passenger/right side of the Bumper. Snug but do not fully tighten hardware.

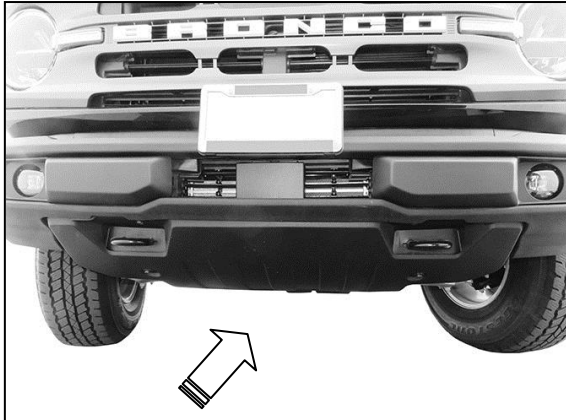
- d. Align the Bumper to the vehicle and fully tighten hardware.
- e. Select the driver/left Cover Plate, **(Figure 20)**. Attach the Cover Plate to the side of the Bumper with the included (1) 10mm x 30mm Button Head Bolt, (1) 10mm Lock Washer and (1) 10mm x 20mm Small Flat Washer. Attach the Cover Plate to the front of the Bumper with (2) 6mm Button Head Combo Bolts. Repeat this **Step** to attach the passenger/right Cover Plate.

Models with winch, (winch not included):

- a. Select the Winch Tray. Slide the Winch Tray into the front of the Bumper, **(Figure 21)**. Attach the driver/left side of the Tray to the inside of the Bumper with the included (2) 12mm x 40mm Hex Bolts, (2) 12mm Lock Washers and (2) 12mm x 32mm Large Flat Washers, **(Figure 21)**. Repeat this **Step** to attach the passenger/right side of the Tray to the inside of the Bumper. Do not tighten hardware.
 - b. Insert (1) Double Bolt Plate through the Winch Tray and front of the Bumper, **(Figure 22)**. Insert (1) 12mm Single Bolt Plate through the outer mounting hole in the driver/left mounting plate on the back of the Bumper, **(Figure 23)**. Thread (3) 12mm Plastic Retainers onto the Bolt Plates to hold in place.
 - c. Repeat the previous **Step** to install the Single and Double Bolt Plates on the passenger/right side.
 - d. Attach the Fairlead Bracket and winch (winch not included) to the top of the Winch Tray, **(Figure 25)**.
 - e. With assistance, hold the Bumper assembly up to the end of the frame and Support Brackets. Guide the Bolt Plates through the frame and Support Brackets. Attach the driver/left end of the Bumper to the frame and Brackets with the included (3) 12mm x 32mm Large Flat Washers, (3) 12mm Lock Washers and (3) 12mm Hex Nuts, **(Figure 24)**. Repeat this **Step** to attach the passenger/right side of the Bumper. Snug but do not fully tighten hardware.
 - f. Align the Bumper to the vehicle and fully tighten hardware.
 - g. Attach the cable guide, (not included), to the Bracket with the included (2) 10mm x 30mm Button Head Bolts, (4) 10mm x 20mm Small Flat Washers and (2) 10mm Nylon Lock Nuts, **(Figure 25)**.
- 14. LED Light Installation with Hoop, (LED Light Bar not included).**
- a. Select the driver/left "L" Bracket, **(Figure 26)**. Attach the Bracket to the slot on back of Hoop with the included (1) 8mm x 25mm Hex Bolt, (2) 8mm Flat Washers, (1) 8mm Lock Washer and (1) 8mm Hex Nut. Repeat this **Step** to install the passenger/right "L" Bracket.
 - b. Attach the LED Light Bar to the Brackets with the included (2) 8mm x 16mm Hex Bolts, (2) 8mm Lock Washers and (2) 8mm Flat Washers, **(Figure 26)**.
- 15.** Models with front license plate, attach the License Plate Bracket to the front of the Bumper with the included (2) 6mm x 20mm Button Head Bolts, (4) 6mm Flat Washers and (2) 6mm Nylon Lock Nuts, **(Figure 27)**. Snap the included (2) Plastic Plugs into the square holes in the Bracket for the license plate.
- 16.** Select the included Skid Plate. Reuse the factory hardware to attach the Skid Plate to the bottom of the frame, **(Figures 28 & 29)**.
- 17.** Do periodic inspections to the installation to make sure that all hardware is secure and tight.

To protect your investment, do not use any type of polish or wax that may contain abrasives that could damage the finish. Mild soap may be used to clean the Bumper.

Driver/left Side Installation Pictured



(Fig 1) Remove splash guard (arrow). Model with plastic bumper cover pictured.

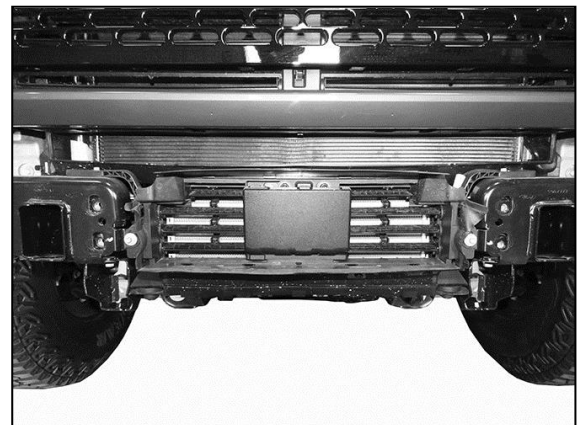


(Fig 2) Models with plastic bumper cover (see Fig 1), remove bumper pads from bumper (driver/left side pictured)

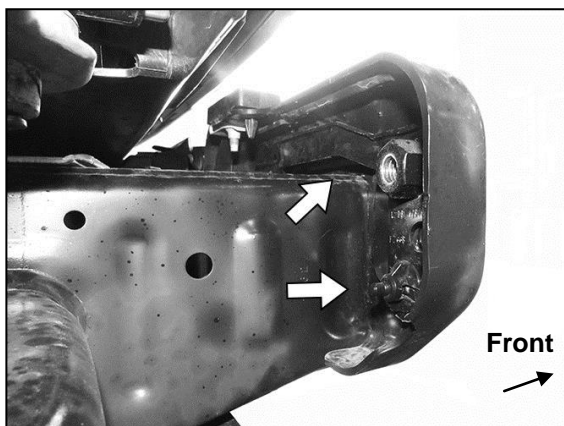


Unplug wiring harness leading to the front bumper. Remove hex bolts to remove bumper

(Fig 3) Model with steel bumper, remove cover from bumper (driver/left side pictured)



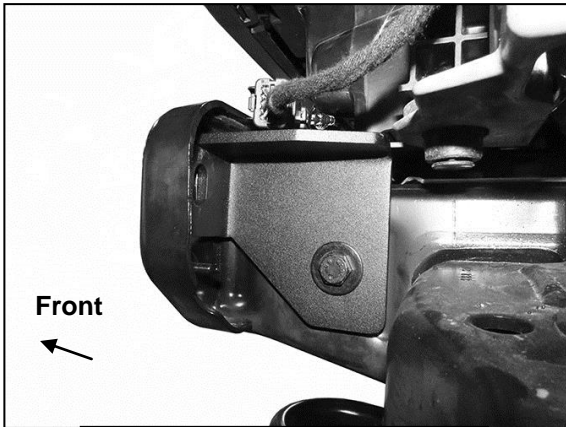
(Fig 4) Remove factory hex bolts from front to remove bumper assembly



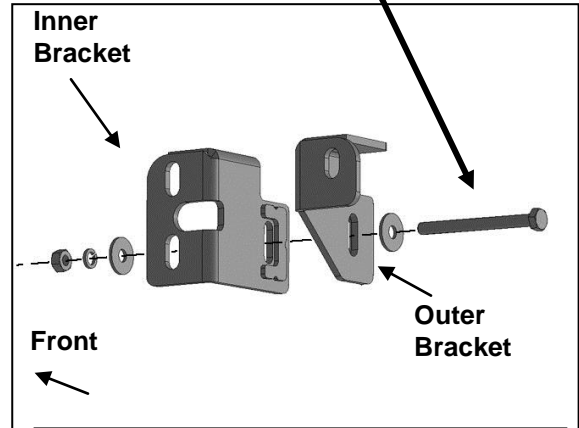
(Fig 5) Remove plastic nuts to remove the triple nut plates (arrows). Passenger/right side pictured

Driver/left Side Installation Pictured

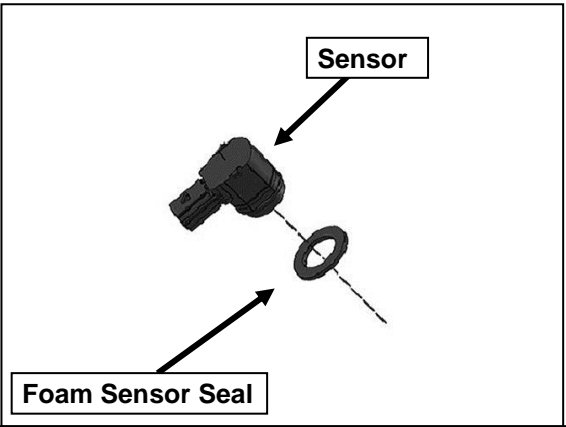
- 10mm x 110mm Hex Bolt
- (2) 10mm Large Flat Washers
- 10mm Lock Washer
- 10mm Hex Nut



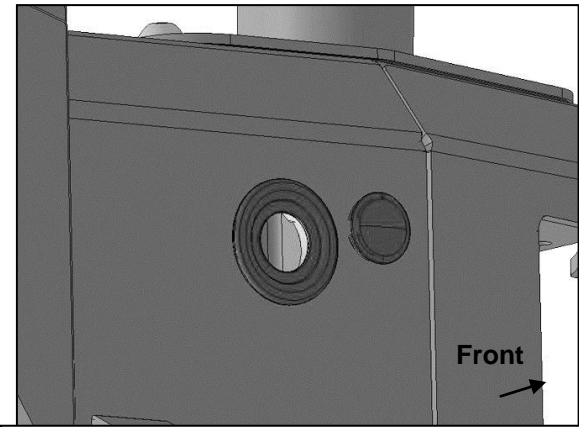
(Fig 7) Driver/left side Outer Support Bracket pictured



(Fig 6) Attach driver/left Inner and Outer Support Brackets to end of frame

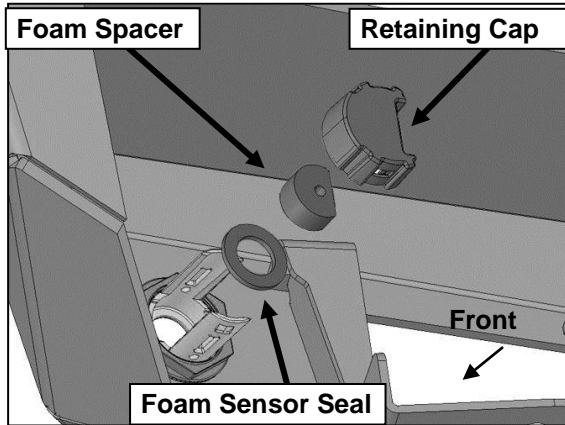


(Fig 9) Remove factory seal from end of sensor. Push Foam Seal onto end of sensor

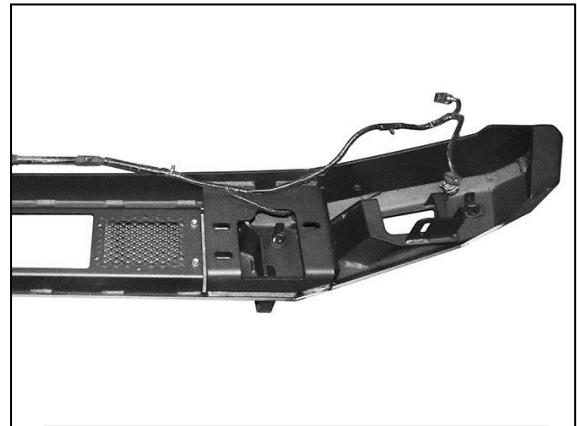


(Fig 8) Models without parking sensors, push the included Plugs into sensor mounts

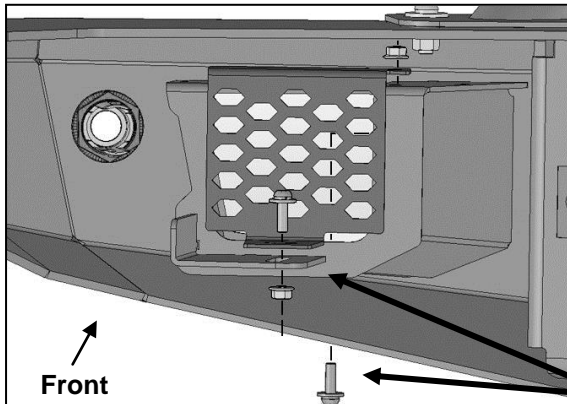
Driver/left Side Installation Pictured



(Fig 10) Push sensor and Seal into back of Mount. Place Foam Spacer over sensor. Snap Retaining Cap onto sensor mount



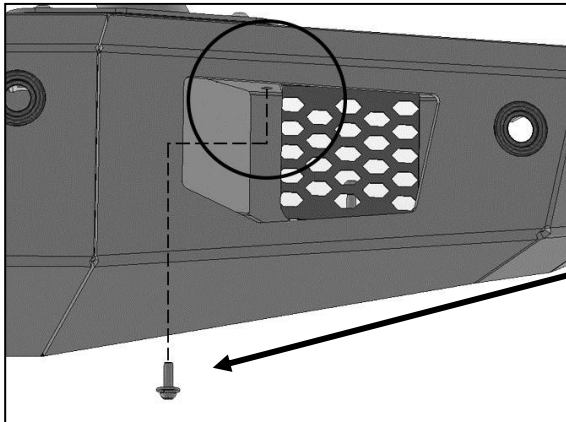
(Fig 11) Attach factory wiring harness to back of Bumper. Plug harness into sensors if equipped



(Fig 12) Attach Mesh Fill Panels or lights (lights not included-do not install lights with Mesh Panels). Back view of Bumper illustrated

- (2) 6mm x 20mm Button Head Combo Bolts
- (2) 6mm Flange Nuts

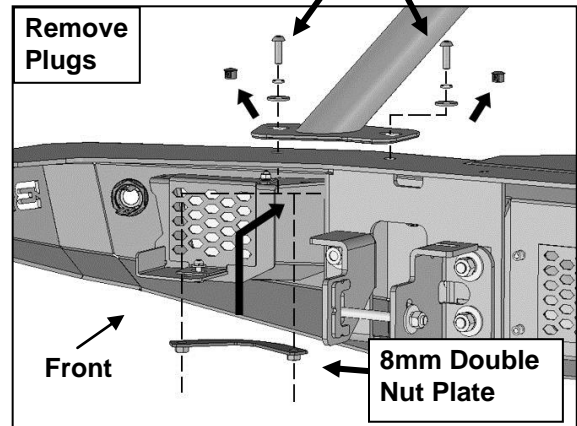
Driver/left Side Installation Pictured



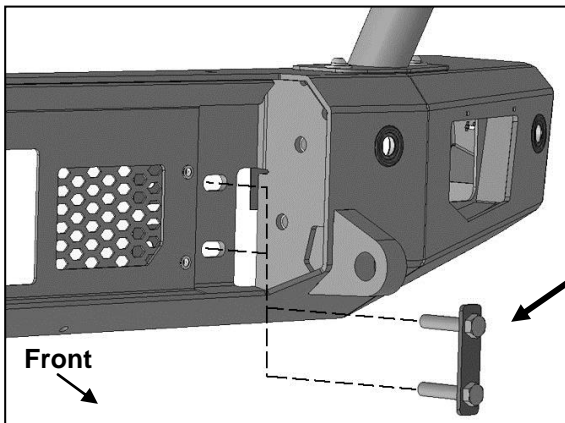
(2) 6mm x 20mm Button Head Combo Bolts
(2) 6mm Flange Nuts

(2) 8mm x 25mm Button Head Bolts
(2) 8mm Lock Washers
(2) 8mm Flat Washers

(Fig 13) Attach Mesh Fill Panels or lights (lights not included-do not install lights with Mesh Panels). Front view of Bumper illustrated



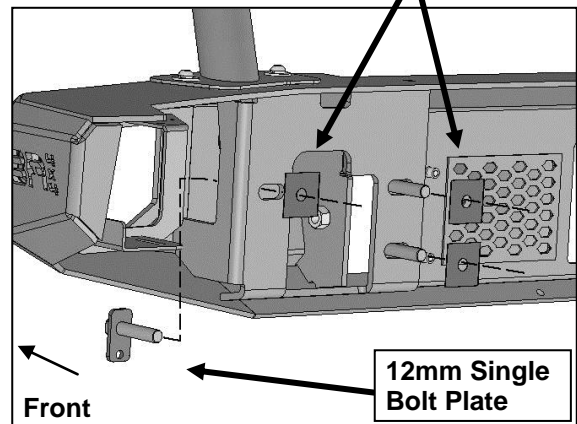
(Fig 14) Remove plugs from top of Bumper. Attach Bullnose Hoop to top of Bumper (hoop installation is optional)



(Fig 15) Bumper without winch, insert (1) 12mm Double Bolt Plate through slots. Thread (2) Plastic Retainers onto Bolt Plate to help hold in place (see Fig 16)

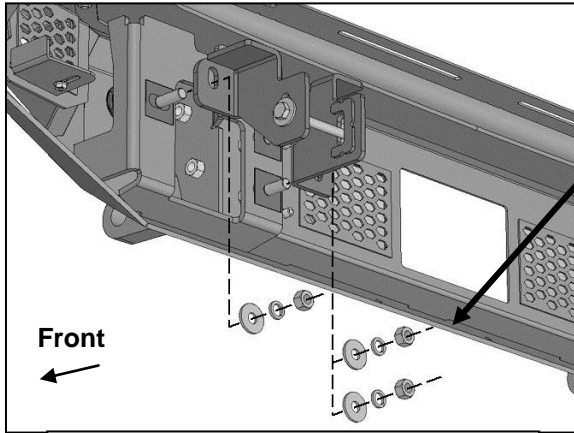
12mm Double Bolt Plate

(3) 12mm Plastic Retainers



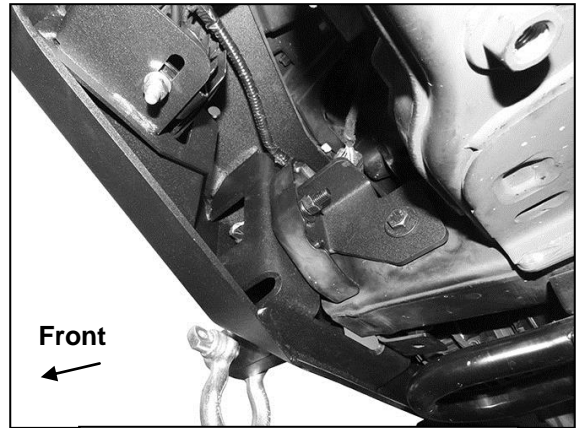
(Fig 16) Bumper without winch, insert 12mm Single Bolt Plate into outer slot. Thread 12mm Plastic Retainers onto Bolt Plates to hold in place

Driver/left Side Installation Pictured

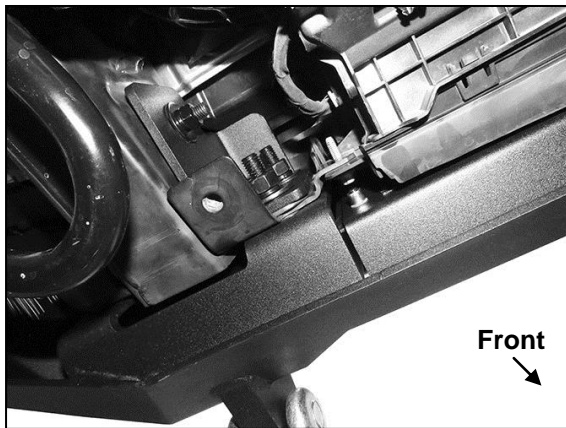


- (3) 12mm Large Flat Washers
- (3) 12mm Lock Washers
- (3) 12mm Hex Nuts

(Fig 17) Bumper without winch, attach driver/left side of Bumper to frame and Support Brackets



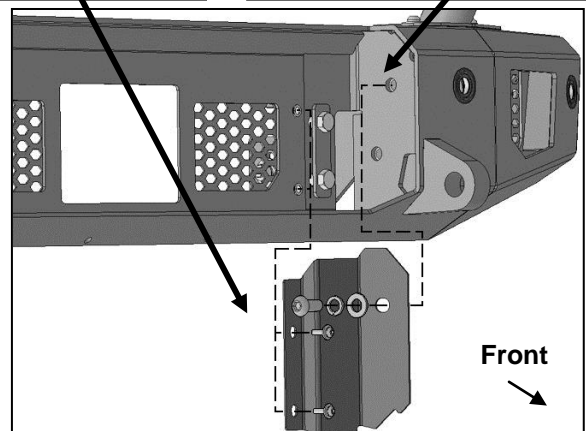
(Fig 18) Driver/left outer Support Bracket and Bumper pictured



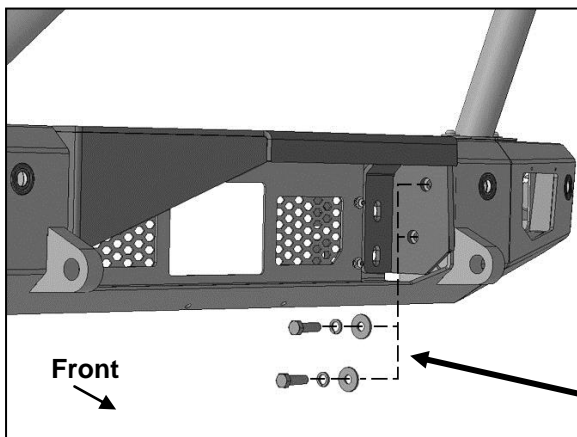
(Fig 19) Driver/left inner Support Bracket and Bumper pictured from below Bumper

- (2) 6mm x 20mm Button Head Combo Bolts

- 12mm x 30mm Button Head Bolt
- 12mm Lock Washer
- 12mm Small Flat Washer



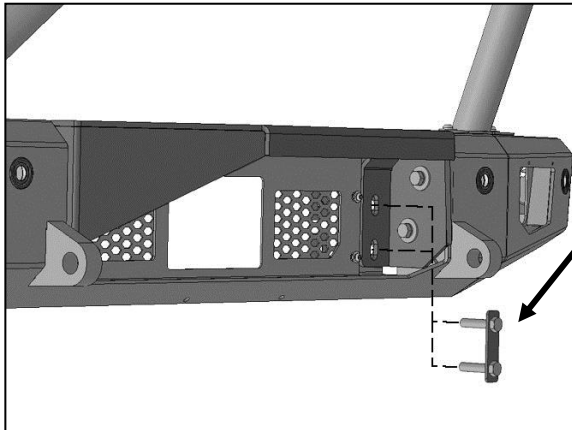
(Fig 20) Bumper without winch, attach driver/left Cover Plate to side and front of Bumper



- (2) 12mm x 40mm Hex Bolts
- (2) 12mm Lock Washers
- (2) 12mm Large Flat Washers

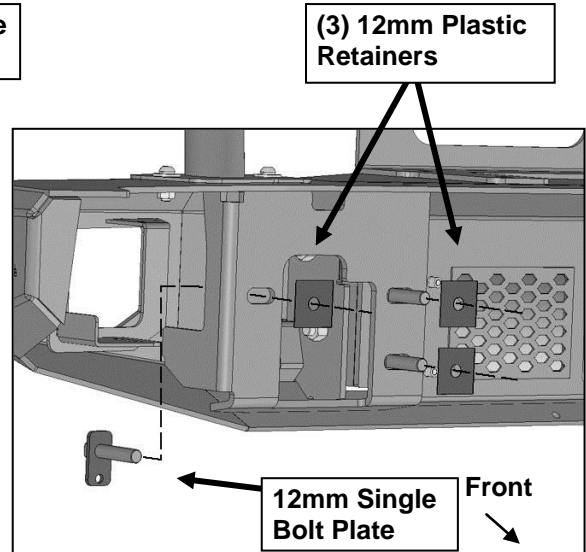
(Fig 21) Bumper with winch, attach driver/left side of Winch Tray to side of Bumper

Driver/left Side Installation Pictured



12mm Double Bolt Plate

(Fig 22) Bumper with winch, insert (1) 12mm Double Bolt Plate through slots in Winch Tray and Bumper. Thread (2) Plastic Retainers onto Double Bolt Plate (Fig 23)



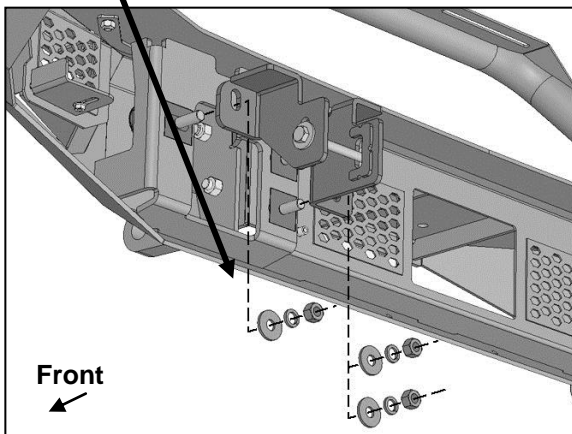
(3) 12mm Plastic Retainers

12mm Single Bolt Plate

Front

(Fig 23) Bumper with winch, insert 12mm Single Bolt Plate into outer slot. Thread 12mm Plastic Retainers onto Bolt Plates to hold in place

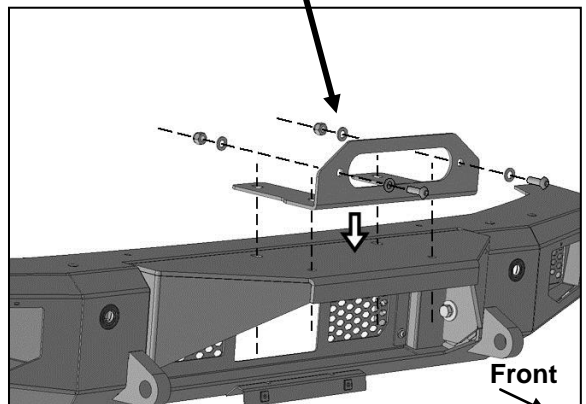
(3) 12mm Large Flat Washers
(3) 12mm Lock Washers
(3) 12mm Hex Nuts



Front

(Fig 24) Bumper with winch, attach driver/left side of Winch Tray and Bumper to frame and Support Brackets

(2) 10mm x 30mm Button Head Bolts
(4) 10mm Small Flat Washers
(2) 10mm Nylon Lock Nuts



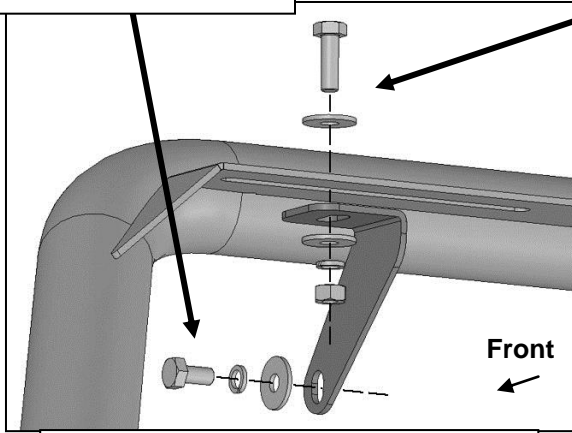
Front

(Fig 25) Bumper with winch, attach winch to Fairlead Bracket and top of Winch Tray. Note hardware to attach winch is not included

Driver/left Side Installation Pictured

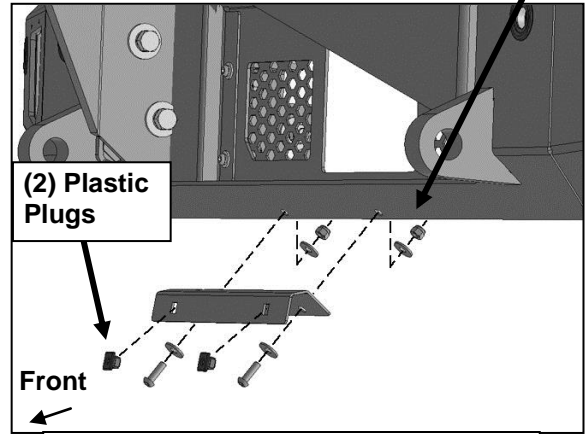
8mm x 16mm Hex Bolt
8mm Lock Washer
8mm Flat Washer

8mm x 25mm Hex Bolt
(2) 8mm Flat Washers
8mm Lock Washer
8mm Hex Nut



(Fig 26) Attach driver/left "L" Bracket to back of Bumper Hoop

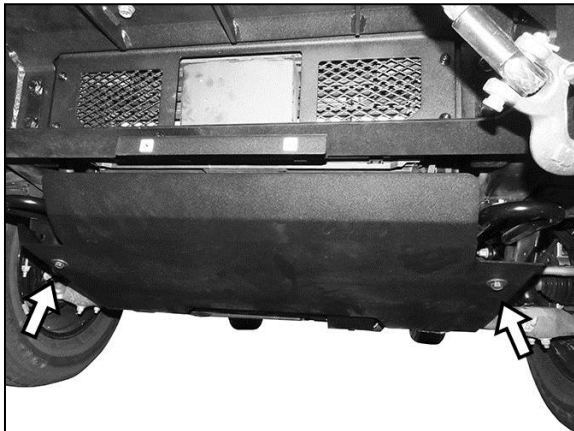
(2) 6mm x 20mm Button Head Bolts
(4) 6mm Flat Washers
(2) 6mm Nylon Lock Nuts



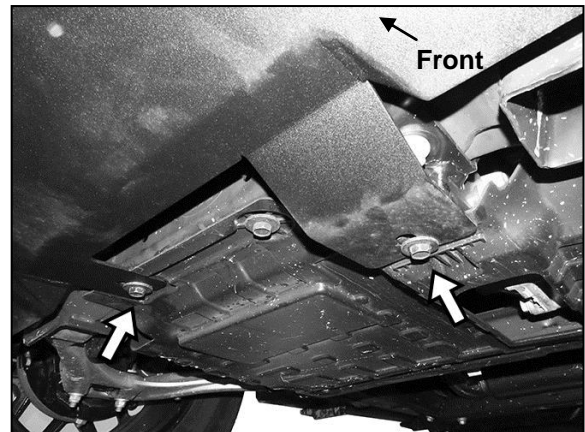
(2) Plastic Plugs

Front

(Fig 27) Attach License Plate Bracket to front of Bumper if required



(Fig 28) Reuse the factory hardware to attach the front of the Skid Plate to the bottom of the frame (see arrows, pictured from below)



(Fig 29) Reuse the factory hardware to attach the rear of the Skid Plate to the bottom of the frame (arrows, pictured from below Bumper)