

banks

Owner's Manual with Installation Instructions

Banks Ram-Air® Intake System

**2011 Ford Power Stroke 6.7L
Turbo Diesel F250/F350/F450 Trucks**

THIS MANUAL IS FOR USE WITH SYSTEM 42215

Gale Banks Engineering
546 Duggan Avenue • Azusa, CA 91702
(626) 969-9600 • Fax (626) 334-1743

Product Information & Sales: (888) 635-4565

bankspower.com

banks

Also Available from Banks Power for 2011 Ford 6.7L

2011 Ford 6.7L



**Monster®
Exhaust**



**Banks Ram-Air®
Intake**



Banks Monster® Exhaust System Single (P/N 49788) Split-Dual (P/N 49790)

- Increases exhaust flow, cuts backpressure, lowers exhaust gas temperatures (EGTs) and increases power.

Banks Ram-Air Intake System (P/N 42215)

- Increases your airflow over stock.
- Adds power, improves fuel economy, lowers EGTs and reduces smoke.

**For More Information please call (888) 635-4565
or Visit us online @ www.bankspower.com**

General Installation Practices

Dear Customer,

If you have any questions concerning the installation of your Banks Ram-Air System, please call our Technical Service Hotline at (888) 839-2700 between 7:00 am and 5:00 pm (PT). If you have any questions relating to shipping or billing, please contact our Customer Service Department at (888) 839-5600.

Thank you.

1. For ease of installation of your Banks Ram-air intake system, familiarize yourself with the procedure by reading the entire manual before starting work. This manual contains 16 pages of copy, illustrations and parts listing. If any pages are missing from this manual please call Gale Banks Engineering immediately for a replacement.
2. The view of the Ram-Air assembly (page 4) provides only general guidance. Refer to each step and section diagram in this manual for proper instruction.
3. Throughout this manual, the left side of the vehicle refers to the driver's side, and the right-side to the passenger's side.
4. Route and tie wires and hoses a minimum of 6 inches away from exhaust heat, moving parts and sharp edges. Clearance of 8 inches or more is recommended where possible.
5. During installation, keep the work area clean. If foreign debris is transferred to any Banks system component, clean it thoroughly before installing.

Notification

The Banks Ram-Air Filter comes pre-oiled and no oiling is necessary for initial installation. Service the filter as specified in the Filter Maintenance Section of this manual.

Tools Required:

- Standard and #3 Phillips head screwdrivers
- Clean shop towels or rags
- 1/4" and 5/16" nut drivers

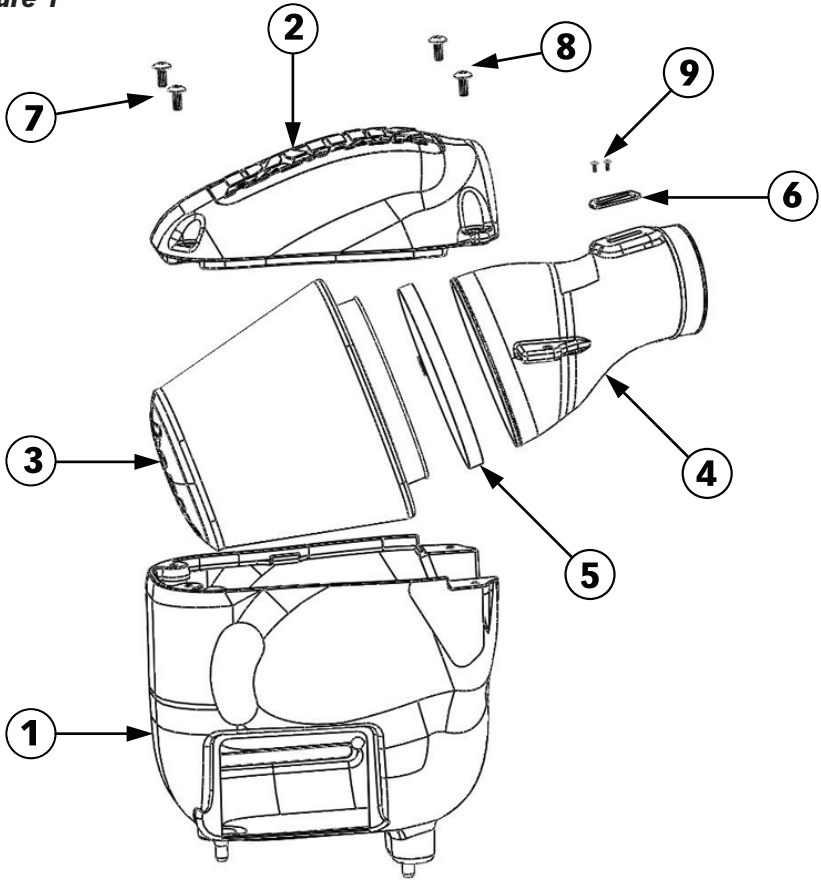
Table of Contents

Section 1	4
General Assembly	
Section 2	5
Ram-Air Installation	
Section 3	13
Filter Maintenance	

Section 1

GENERAL ASSEMBLY

Figure 1



Item	Component #	Description	Qty
1	42216	HOUSING, RAM-AIR FILTER	1
2	42217	COVER, RAM-AIR HOUSING	1
3	42188	AIR FILTER ELEMENT, RAM-AIR SYSTEM	1
4	42218	INTAKE TUBE, RAM-AIR SYSTEM	1
5	92904	HOSE CLAMP, #104	1
6	93071	GASKET, MAF SENSOR	1
7	91242	MACHINE SCREW, TRUSS HEAD, PHILLIPS 5/16"-18 X 1 1/4"	2
8	91226	MACHINE SCREW, TRUSS HEAD, PHILLIPS 5/16"-18 X 3/4"	2
9	91719	MACHINE SCREW, TRUSS HEAD, PHILLIPS, #6-32 X 1/2"	2

Section 2

RAM-AIR INSTALLATION

Use the Bill of Materials Chart and the General Assembly Drawing to reference component nomenclature and location. Use caution when working in the engine compartment. Make sure the engine has been OFF for several hours and cool.

You are about to install the Banks Ram-Air Intake System. Read and follow all steps before working on the vehicle. Some components from the stock air intake system will remain in service. Take care when removing stock air intake components to not damage them.

1. Loosen the hose clamp on the air cleaner bellows located next to the Mass Air Flow (MAF) sensor. See **Figures 2** and **3**.
2. Remove the restriction gauge by gently twisting and pulling it out of the rubber grommet. Remove the rubber grommet. These will be re-used later.

3. Locate the MAF sensor connector. Slide the connector lock back and press the release tab while carefully removing the MAF connector. Set it aside.
4. Remove the MAF sensor Torx (T-20) screws using the supplied Banks Torx tool bit.
5. Carefully remove the MAF sensor and set aside. The MAF sensor will be re-used later.
6. Unlatch the 4 retaining clips on the air filter housing cover and then push the air cleaner bellows away from the air filter housing while pulling up on the MAF side of the air filter housing cover. Lift and remove the air filter housing cover. See **Figure 4**.
7. Remove the stock air filter element and the bolt securing the air filter housing to the vehicle. Retain the bolt as it will be reused. See **Figures 5 & 6**.

Figure 2

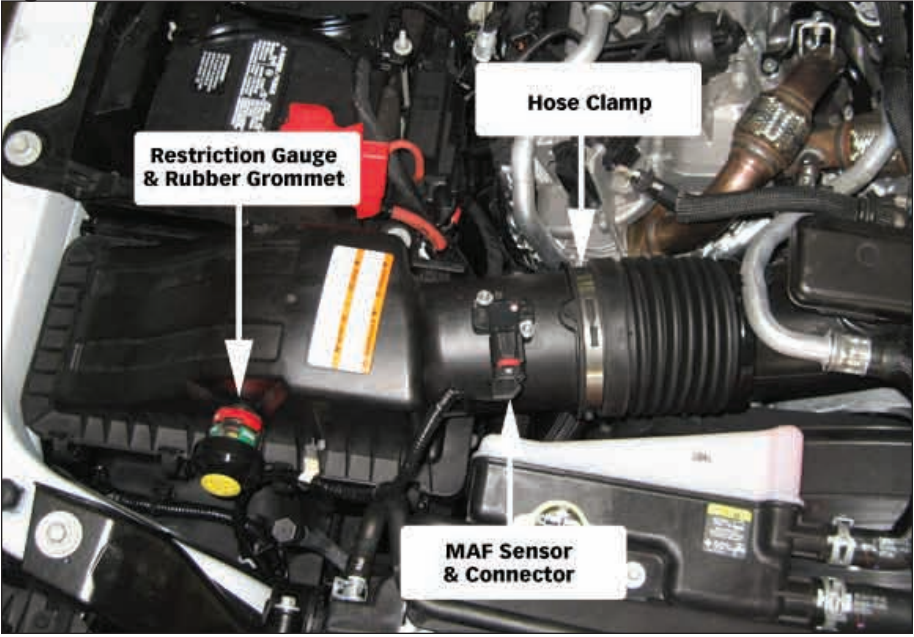


Figure 3



Figure 4

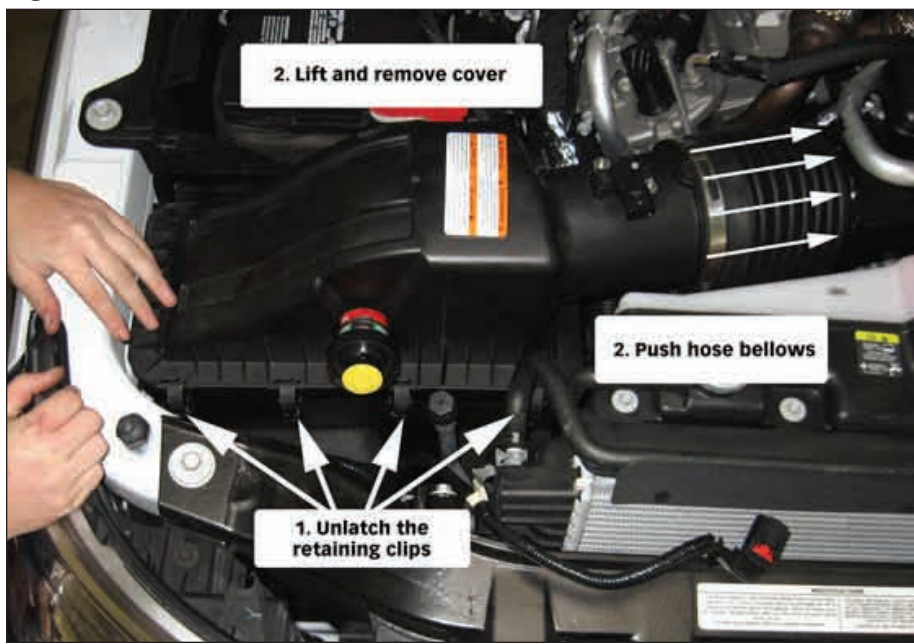


Figure 5-Removing stock air filter element

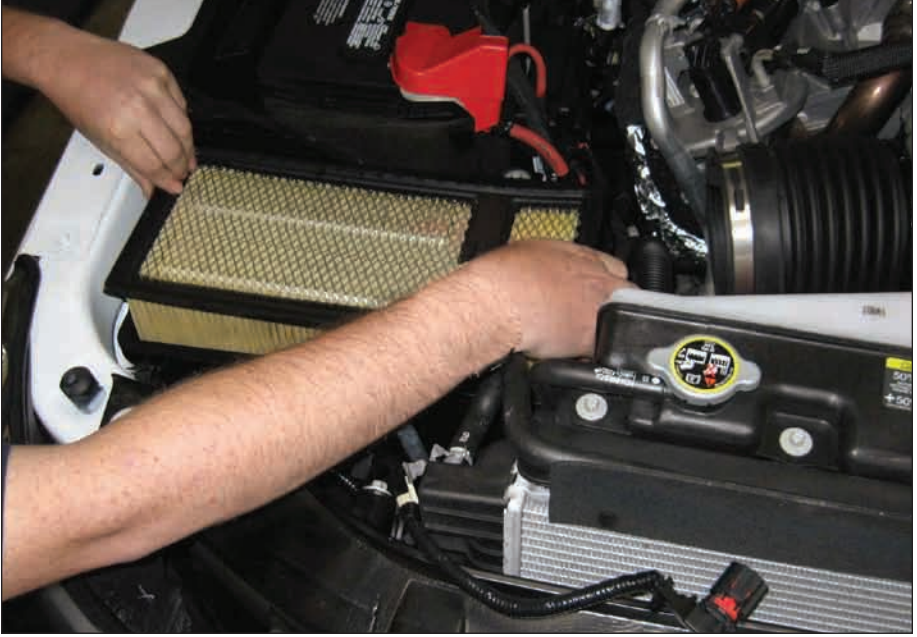


Figure 6-Removing bolt that secures air filter housing to vehicle



8. Remove the stock air filter housing from the vehicle. See **Figure 7**.

9. Remove the stock fresh air intake gasket from the stock air filter housing and install it on the Banks Ram-Air filter housing. See **Figures 8 & 9**.

10. Install the Banks Ram-Air Filter Housing. Line up the fresh air intake with the matching opening on the Banks Ram-Air Filter Housing. The feet on the bottom of the Filter Housing will go into the rubber isolators in the vehicle. Make sure to push the Filter Housing all the way down onto the rubber isolators. Reinstall the bolt that secures the air filter housing to the vehicle.

*Note: Harness may need to be moved against the wall in order for the housing to sit properly. See **Figure 10**.*

11. Locate the supplied Banks MAF sensor gasket. Install the supplied

gasket onto the MAF sensor. See **Figure 11**.

Note: Be sure that the stock gasket is removed before installing the supplied Banks MAF sensor gasket.

11. Install the MAF sensor to the Banks Intake Tube using the supplied screws. Make sure the MAF sensor connection is on the opposite side of where the restriction gauge will go.

Note: Do not over tighten the screws.

12. Attach the Banks Air Filter Element to the Banks Intake Tube with the supplied hose clamp. An audible snap should be heard when installing the Filter to the Tube. Tighten to 44 lb-in (5 Nm).

CAUTION: Filter may come loose at connection point due to oil residue. Clean the air filter connection points with a non-oil based solvent such as Acetone,

Figure 7- Removal of the stock air filter housing



Figure 8- Removal of the fresh air intake gasket from stock housing



Figure 9- Installation of the fresh air intake gasket onto Banks housing



Mineral Spirits, Denatured Alcohol, or Lacquer Thinner. Read and follow the manufacturer's operation instruction for non-oil based solvent cleaner. Be careful not to apply cleaner to cotton filter media or damage to media may result.

13. Install the restriction gauge's rubber grommet onto the Banks Intake tube.

14. Install the Banks Intake Tube by inserting the filter side into the housing while pushing the air cleaner bellows back to allow room for the tube. See **Figure 12**.

15. Make sure the bellows fully seat against the stop on the Banks Intake Tube. The Intake Tube tabs should line up with the Filter Housing.

17. Install the Housing Cover onto the Filter Housing.

18. Install the supplied Phillips Truss Head Screws into the cover. The longer Screws go on the engine side (**Figure 13**). Tighten the Screws with a #3 Phillips screwdriver.

Note: Take care not to over tighten the Screws and damage the Housing.

19. Re-install the restriction gauge.

20. Re-attach the MAF connector to the MAF sensor. Slide it's connector lock into the locked position.

21. Tighten the air filter bellows' hose clamp to 44 lb-in (5 Nm).

22. You have successfully completed the installation of the Banks Ram-Air Intake system. See **Figure 14**. Make sure to go over all hose clamps for tightness and connectors for a secure fit.

-END, SECTION 2-

Figure 10

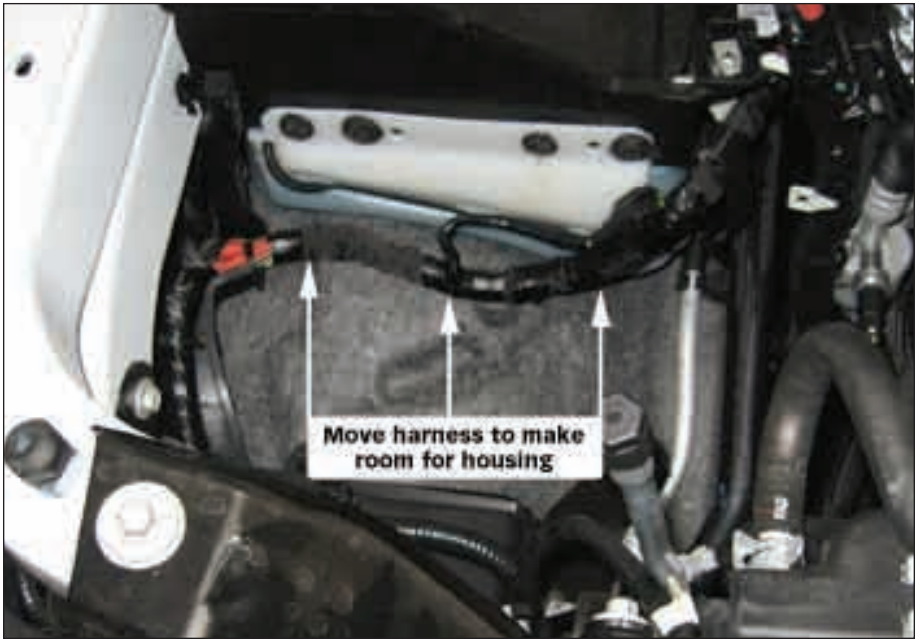


Figure 11



Figure 12



Figure 13



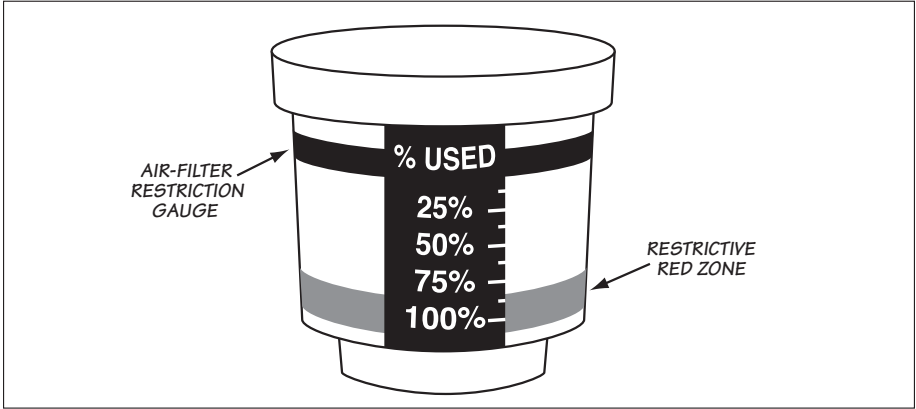
Figure 14



Section 3

FILTER MAINTENANCE

Figure 15 Typical air-filter restriction gauge



Notification

The Banks Ram-Air Filter comes pre-oiled and no oiling is necessary for initial installation. Service the filter as specified in this Section of the manual.

1. Service Banks Ram Air Filter every 50-100,000 miles on street-driven applications. Service more often in off-road or heavy-dust conditions. If an air-filter restriction gauge is installed, then clean the element when the air-filter restriction gauge enters the restrictive red zone. See **Figure 15**.

2. Use Banks Ram Air Filter cleaning system (part # 90094), available from Gale Banks Engineering to service the Air Filter. Follow the instructions included with the cleaning system

to clean and re-oil your Banks Ram Air Filter. No gasoline cleaning, No steam cleaning, No caustic cleaning solutions, No strong detergents, No high pressure car wash, No parts cleaning solvents. Any of these No's can cause harm to the cotton filter media plus SHRINK and HARDEN the rubber end caps.

CAUTION! Extremely fine dust from agriculture or off-road use will pull the oil from the element. Frequent re-oiling of the element's clean side might be required. Completely service when practicable. Service only with Banks Ram-Air-filter cleaner and Banks Ram-Air-filter oil.

-END, SECTION 3-

Notes

Notes

Gale Banks Engineering
546 Duggan Avenue • Azusa, CA 91702
(626) 969-9600 • Fax (626) 334-1743

Product Information & Sales: (888) 635-4565

bankspower.com