



INSTALLATION INSTRUCTIONS FOR  
**97 Ford PU 20906**  
Extend-A-Fender 20033 & 20034 (pairs)

TOOLS REQUIRED FOR INSTALLATION:

- Jack and Jack Stands
- Medium Phillips Head Screw
- Red Oxide Primer
- Electric Drill
- 1/8" and 3/16" Drill Bits
- Duct Tape

**IMPORTANT: READ BEFORE BEGINNING INSTALLATION**

**Verifying Fit** – Flare parts should be held to the vehicle surface to verify correct type and fit BEFORE beginning installation or painting. Small fit adjustments can be made by trimming (filing, sanding or scraping) excess plastic.

**Exhaust System** – Modifications may be necessary to maintain a minimum 4" clearance between flares and exhaust pipes. Exhaust gases should not vent directly onto flares.

**Metal Protection** – All bare metal should be treated with red oxide primer BEFORE installing flares.

---

**FLARE INSTALLATION PROCEDURES**

**Note:** Should additional room between the tire and wheel well rim be required, support vehicle and remove wheel using jack and jack stands.

**Step 1: Painting Flares**

It is recommended that painting (when desired) be done just prior to attaching flares.

- (A) Sand (optional) before application of paint.
- (B) Clean outer surface with a good grade degreaser. DO NOT USE lacquer thinner or enamel reducer as a degreaser. Wipe outer surface thoroughly with a tack rag prior to painting.
- (C) Paint flares (with or without edge trim) using a high quality lacquer, enamel, or polyurethane automotive paint. Application of a primer coat is optional.

**Step 2: Preparing Flare and Fender**

- (A) Remove factory installed edge trim when necessary.
- (B) Pre-fit flare parts to wheel well area and trim if necessary.

**Step 3: Edge Trim Installation (See Illustration #1)**

- (A) Peel two to three inches of red vinyl backing away from edge trim tape. Applying the adhesive side of the edge trim to the inner side of the flare, affix the edge trim to the top edge of the flare (the portion that comes in contact with the side of the vehicle).
- (B) Press edge trim into place along the top edge of the flare in one-foot increments, pulling red vinyl backing free as you continue to work your way around the top edge of the flare.

**Step 4: Attaching Front Flares**

- (A) Remove and save the four screws used to hold the factory edge trim (and mud flap when installed) along inside rim of wheel wells.
- (B) Drill six 3/16" holes at the indents located along the inside surface of the flare.

- (C) Tape the flare in position on the fender, and mark two drill locations on the wheel well inner lip and fender roll-under area. These locations are shown as "Kit Supplied" in Illustration #1 – Front.
- (D) Remove flare and drill two 9/64" holes at the locations marked in Step 3C.
- (E) Secure flare to fender at 4 original hole locations and at the two locations drilled in Step 4D. Secure using both the original and kit provided screws. Secure mud flap and lower rear portion of flare with original screws.

**Step 5: Attaching Rear Flares**

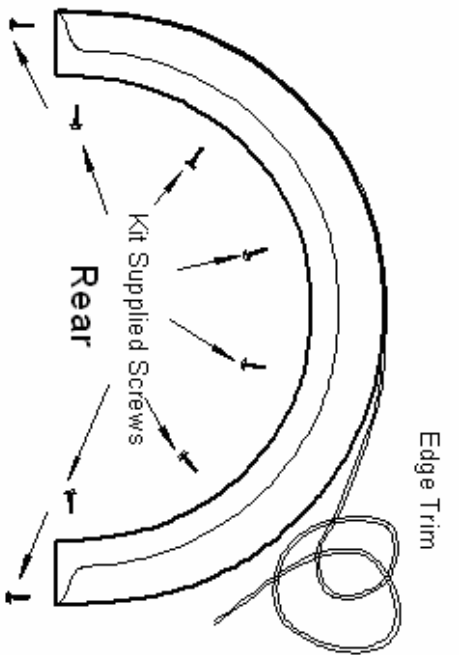
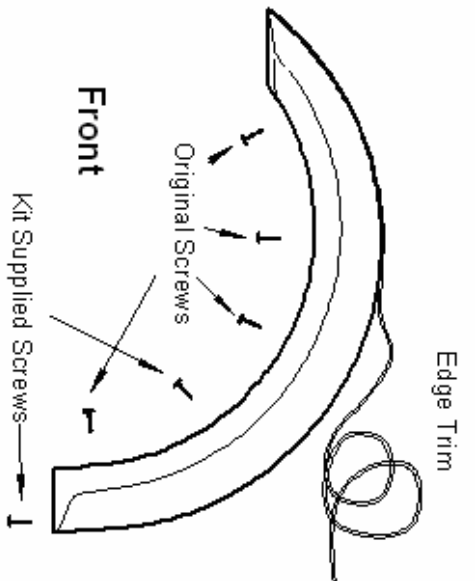
Rear flares can be attached as a replacement for factory equipment or as a new accessory.

*As a replacement for factory flares:*

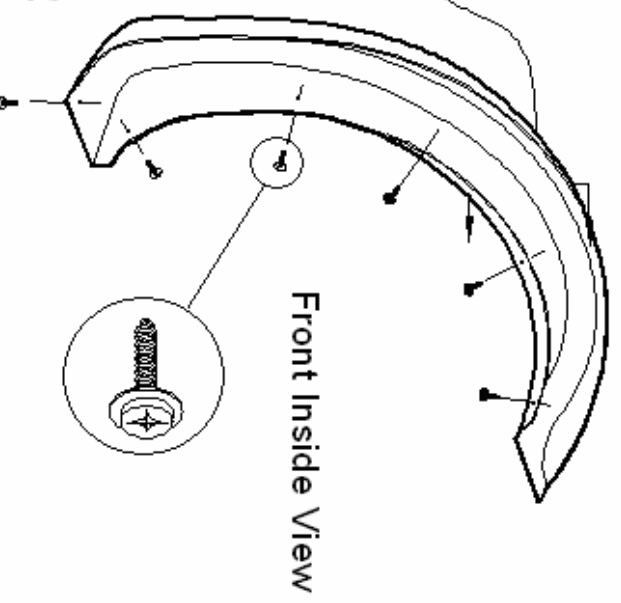
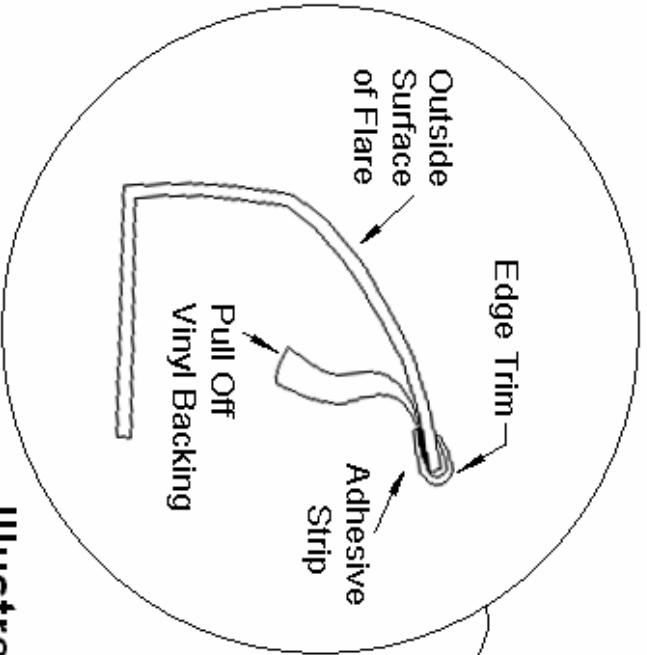
- (A) Remove factory flare and mud flap (when installed) and save screws.
- (B) Drill eight 3/16" holes at the indents located along the inside surface of the flare.
- (C) Attach the flare to the fender using the eight screws removed in Step 5A.

*As a new installation:*

- (A) Drill eight 3/16" holes at the indents located along the inside surface of the flare.
- (B) Tape the flare in position on the fender. Using the holes drilled in Step 5A as a guide, mark drill locations on the wheel well inner lip and fender roll-under areas.
- (C) Drill eight 1/8" holes at the locations marked in Step 5B.
- (D) Attach the flare to the fender using the eight screws provided with the kit.



**Illustration #1**



**Illustration #2**