



Sway Bar End Link

For 2000-09 Dodge Cummins 2500/3500
-- Installation Instructions --

1032050

Dodge 2000-09


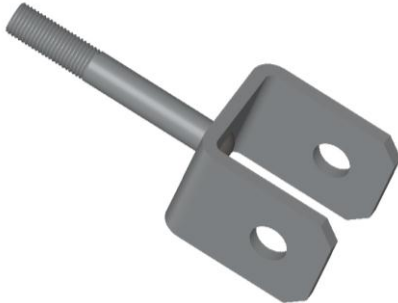

Note: Does not fit the Dodge Powerwagon



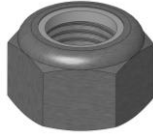

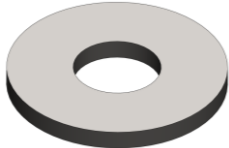
PLEASE READ ALL INSTRUCTIONS BEFORE INSTALLATION

Tools Required

- PRESS OR VISE
- 15 , 18 mm SOCKET
- TORQUE WRENCH
- DRILL
- 9/16" DRILL BIT
- 7, 8, 10, 13, 14, 15, 17, 18, 21mm WRENCH

Kit Contents

1312050	1312060	1312051
		
<i>CAST LINK</i>	<i>U BRACKET</i>	<i>BUSHING KIT</i>
Qty: 2	Qty: 2	Qty: 1

1312055	1302034	1312058	1312059	1302035
				
<i>M14-75mm BOLT</i>	<i>M14-80mm BOLT</i>	<i>M14 NUT</i>	<i>7/16" NUT</i>	<i>M14 WASHER</i>
Qty: 2	Qty: 2	Qty: 4	Qty: 2	Qty: 10

Procedure

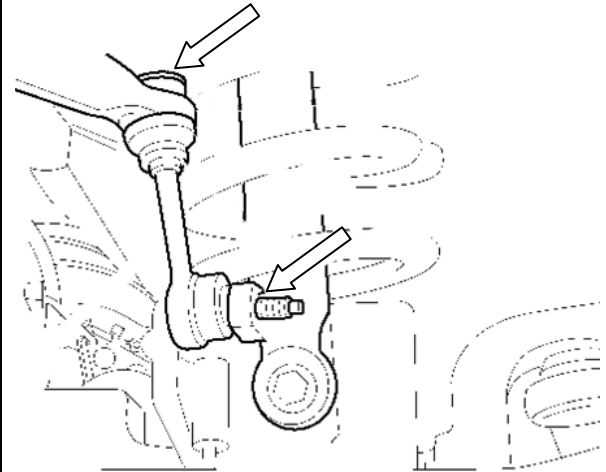
1. Block wheels to prevent the vehicle from rolling. Lift and support the front axle and remove the front wheels.
2. Remove stock driver/passenger sway bar end links. Using a (TABLE A) socket on the sway bar side and a (TABLE B) socket on the axle side.

SWAY BAR CONNECTION (TABLE A)

15 mm	2000-02 / 06-09
16 mm	2003-05
18 mm	2010-11

AXLE CONNECTION (TABLE B)

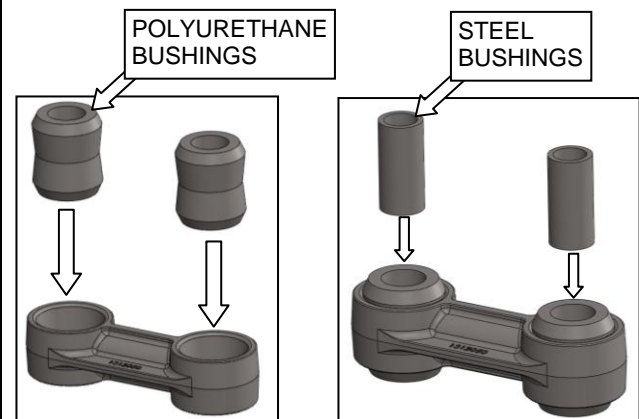
15 mm	2003-05
18 mm	2000-02
21 mm	2006-11



NOTE: On years 2000-05 you may need to drill the axle mount to 14mm to fit the new hardware.

3. Lubricate (2) Polyurethane bushings with the supplied lubrication and press into cast link (1312050) using an arbor press. Then insert steel bushings into the assembly.

IMPORTANT-Complete steps 3 & 4 for both cast links.



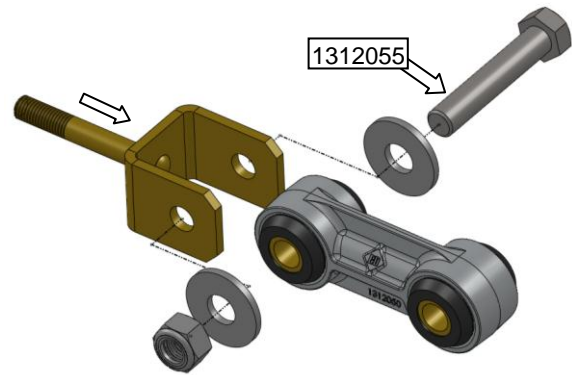
BD Engine Brake Inc.

Plant Address: 33541 MacLure Rd. Abbotsford, BC, Canada V2S 7W2

U.S. Shipping Address: 88-446 Harrison St, Sumas, WA 98295 U.S. Mailing Address: P.O. Box 231, Sumas, WA 98295

Phone: 604-853-6096 | Fax: 604-853-8749 | Internet: www.bd-power.com

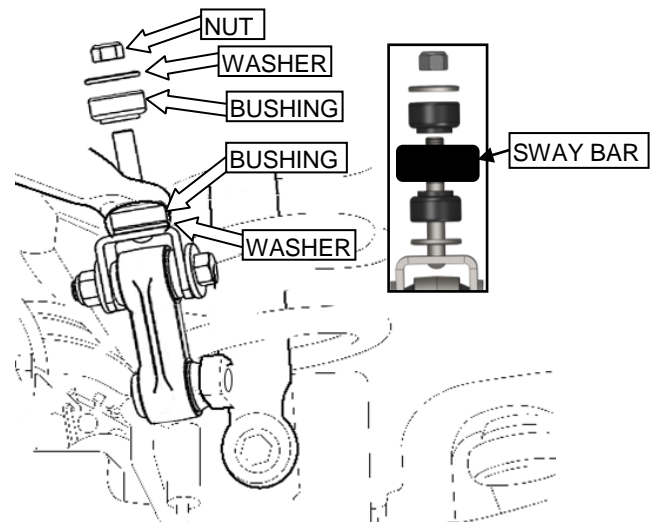
4. Install sway bar u-bracket assembly (1312060) onto cast rod with the supplied bolt (1312055), two flat washers (1302035) and a Nylock nut (1312058) leave loose to allow movement.



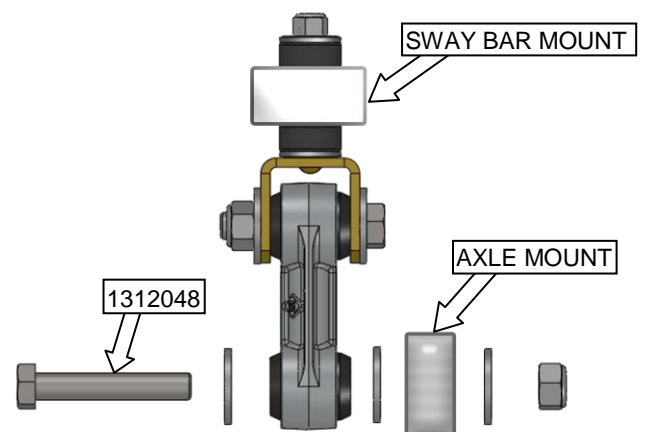
Complete steps 5-8 for the driver's side and Passenger side

5. Slide one formed washer and bushing from the bushing kit onto the u-bracket (note orientation of bushing & washer).

Install u bracket assembly into sway bar then slide on an additional bushing then washer and nylock nut (1312059) tighten finger tight.



6. Assemble the end link assembly using the two supplied washers and bolt. Then slide the assembly into the axle mount and secure into position using the supplied washer and Nylock nut and tighten finger tight.



BD Engine Brake Inc.

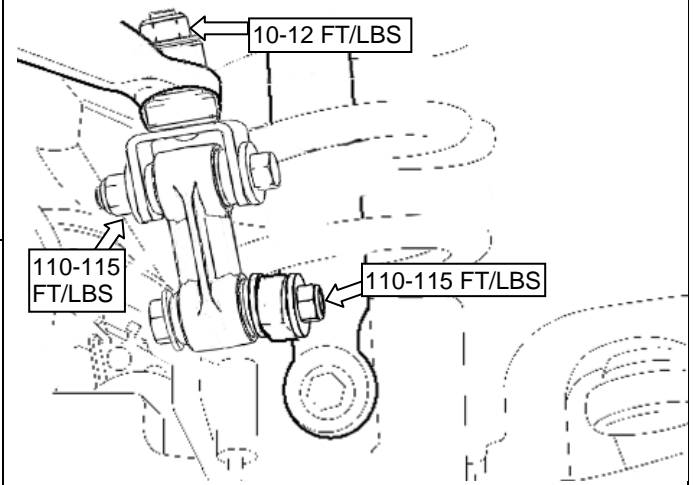
Plant Address: 33541 MacLure Rd. Abbotsford, BC, Canada V2S 7W2

U.S. Shipping Address: 88-446 Harrison St, Sumas, WA 98295 U.S. Mailing Address: P.O. Box 231, Sumas, WA 98295

Phone: 604-853-6096 | Fax: 604-853-8749 | Internet: www.bd-power.com

7. Center U-bracket rod in the sway bar and torque Nylock nut 10-12 ft/lbs (16mm).

8. Tighten remaining bolts to 100-110 ft/lbs (22mm).



9. Reinstall front wheels and torque to manufacturer recommendations.
Road test vehicle and recheck connections.

BD Engine Brake Inc.

Plant Address: 33541 MacLure Rd. Abbotsford, BC, Canada V2S 7W2

U.S. Shipping Address: 88-446 Harrison St, Sumas, WA 98295 U.S. Mailing Address: P.O. Box 231, Sumas, WA 98295

Phone: 604-853-6096 | Fax: 604-853-8749 | Internet: www.bd-power.com