

Installation Instructions

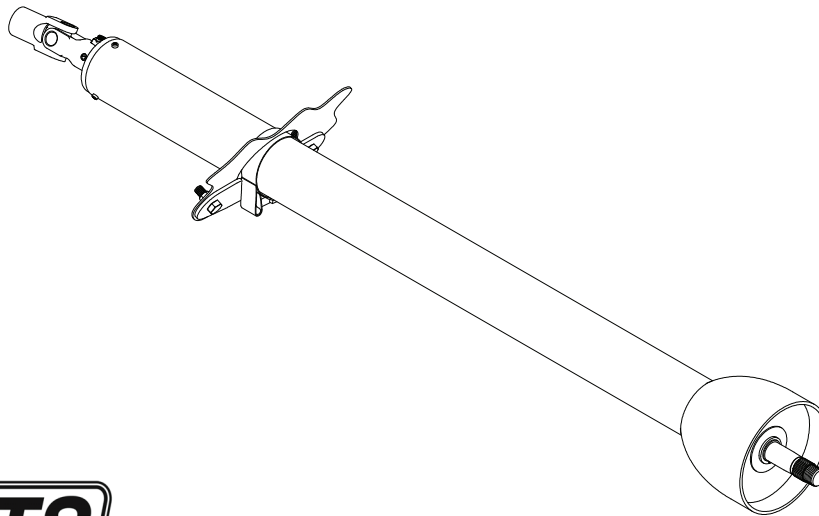
1964¹/₂-1966 Mustang Steering Kit for Stock Column

*Please read these instructions completely **BEFORE** starting your installation!*

Your *HEIDTS* Hot Rod Shop Kit contains the following items:

- | | |
|--------------------------|--------------------|
| 1) Steering Shaft | 1) Universal Joint |
| 1) Steering Column Mount | 1) Hardware Kit |
| 1) Clamp | 1) Shaft Bushing |

1. Disassemble and remove existing steering shaft.
2. Install lower (Closer to the front of the car) snap ring and bearing spacer to the appropriate places as shown in figures 1 & 2.
3. Feed the shaft through the column from behind until spacer is seated in the existing bearing. (NOTE: The bearing is shown in a simplified format for demonstration purposes only. This kit does not include the bearing, which has mounting holes not seen in the drawings)
4. Install upper spacer and snap ring as shown in Figure 2.
5. Install shaft bushing into column.
6. Drill three 9/64" Diameter x 3/8" deep holes (with the bushing in place) and insert self-tapping screws to hold the bushing in place.
7. Install Column into car and attach bracket to firewall using the 5/16" bolts, washers and nuts as shown in Figure 5.
8. Fasten column to bracket using supplied clamp.
9. Hook up steering shaft to your steering rack using supplied U joint. Tighten the set screw.
10. Once all clearances have been established and you are happy with the installation, drill a 7/32" hole through the universal joint and the steering shaft (with it all assembled in in the car) 90° from the set screw.
11. Insert the 1/4" roll pin into the hole. This will ensure that even if the set screw comes loose, your steering mechanism will not come loose.



Installation Instructions

1964^{1/2}-1966 Mustang Steering Kit for Stock Column

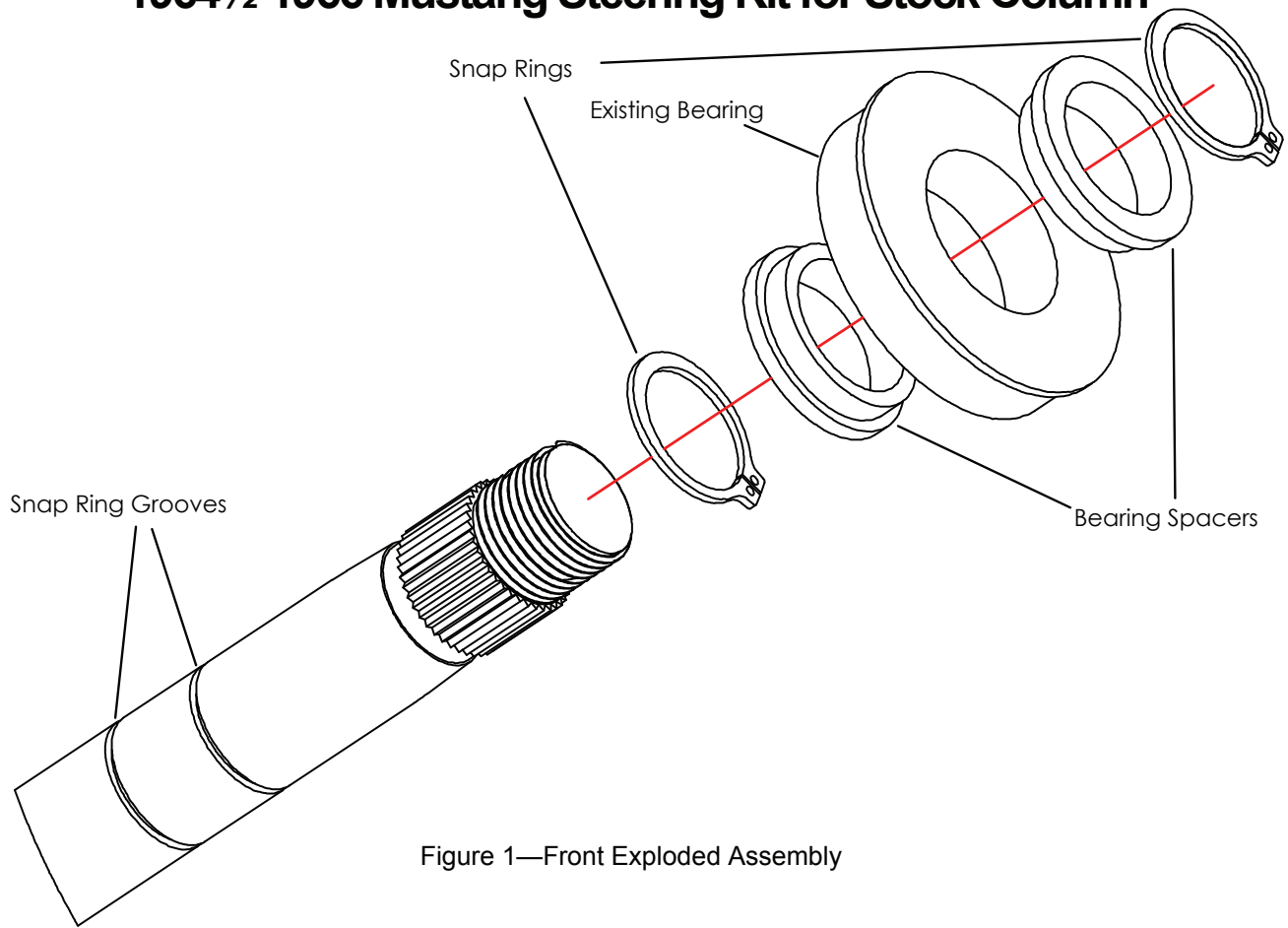


Figure 1—Front Exploded Assembly

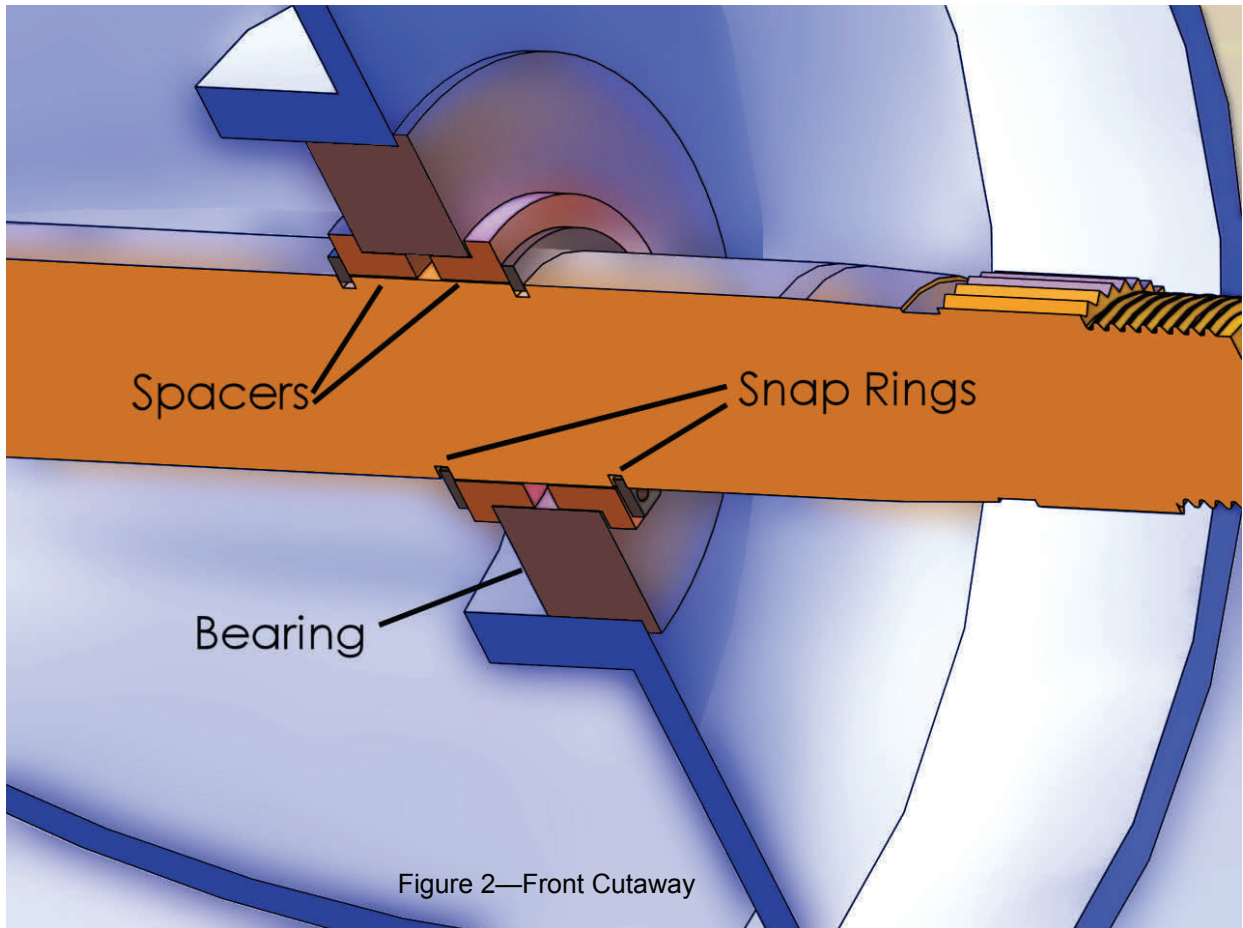


Figure 2—Front Cutaway

Installation Instructions

1964¹/₂-1966 Mustang Steering Kit for Stock Column

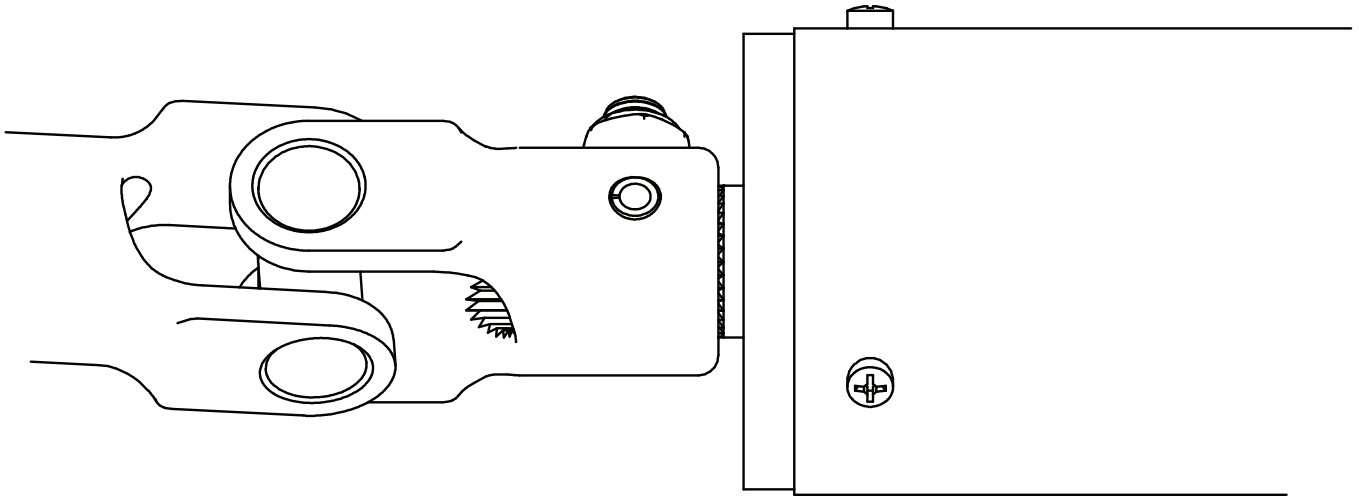


Figure 3—Distance between Column and U-Joint

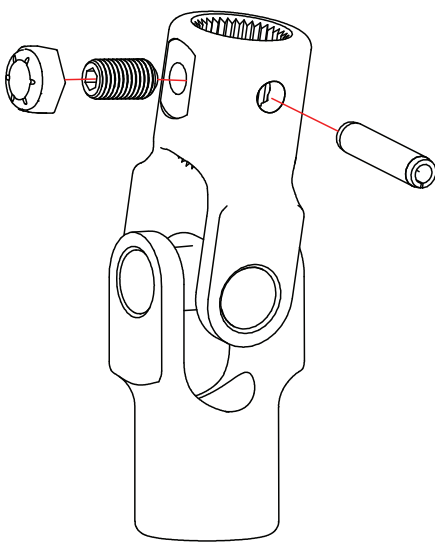


Figure 4—U-Joint Fasteners

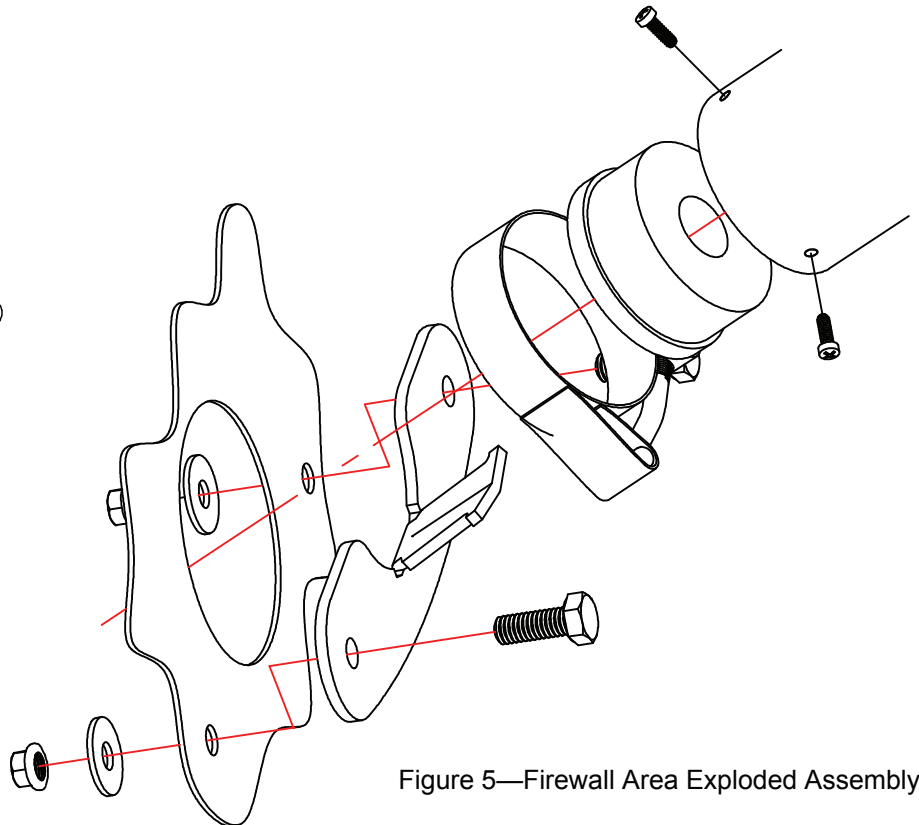


Figure 5—Firewall Area Exploded Assembly



1-800-841-8188 Illinois (847) 487-0150

© HEIDTS Hot Rod Shop 2009

IN-152