

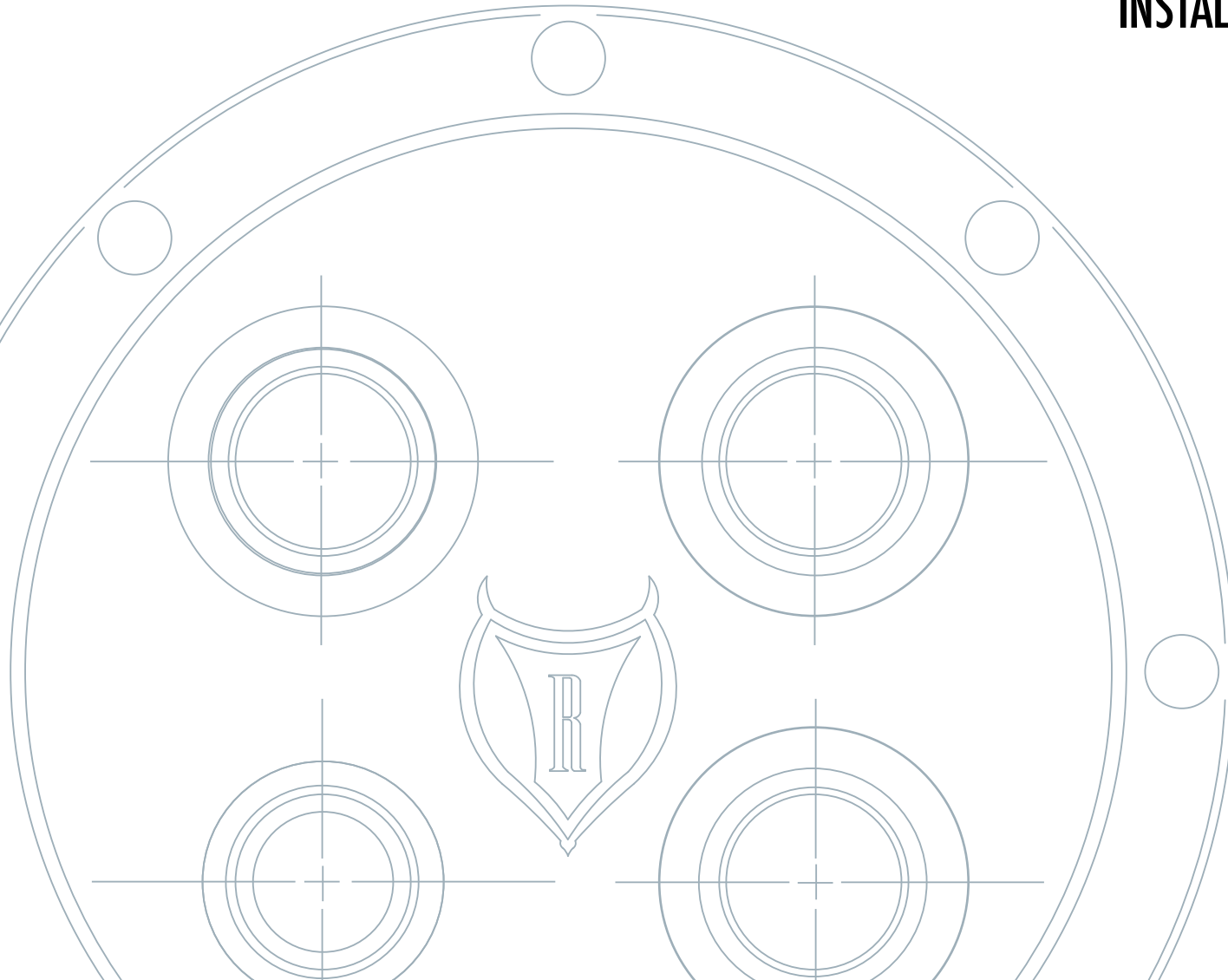
# P38 **ROUND** BULKHEAD

INSTALLATION GUIDE and TEMPLATE



**RESTOMOD AIR**

Ultimate Style. Killer Performance.



**P38**

# Restomod Bulkhead Instructions:

The installation procedure for your Restomod Bulkhead is simple and straight-forward...

**Step 1:** Determine a mounting location for the billet plate on your vehicle (see figure 1). Using the plate (or the included template) carefully mark and drill a 5/8" diameter hole for the liquid hose fitting, and 7/8" holes for the heater and the suction hose fittings.

**Step 2:** Insert the air conditioning fittings through the bulkhead plate from the front, secure them from the inside with the included fitting nuts (this will secure the bulkhead to the firewall), and connect the hose fittings (see figure 2).

**Step 3:** Tighten all fittings.



Reminder... Use two wrenches to tighten o-ring fittings and a few drops of mineral oil on the rings also).

**Step 4:** Install the engine side of the hoses.

Your installation is complete!

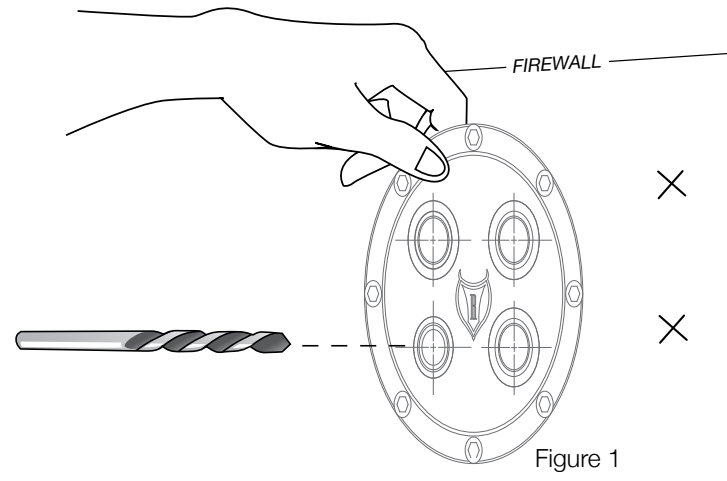


Figure 1

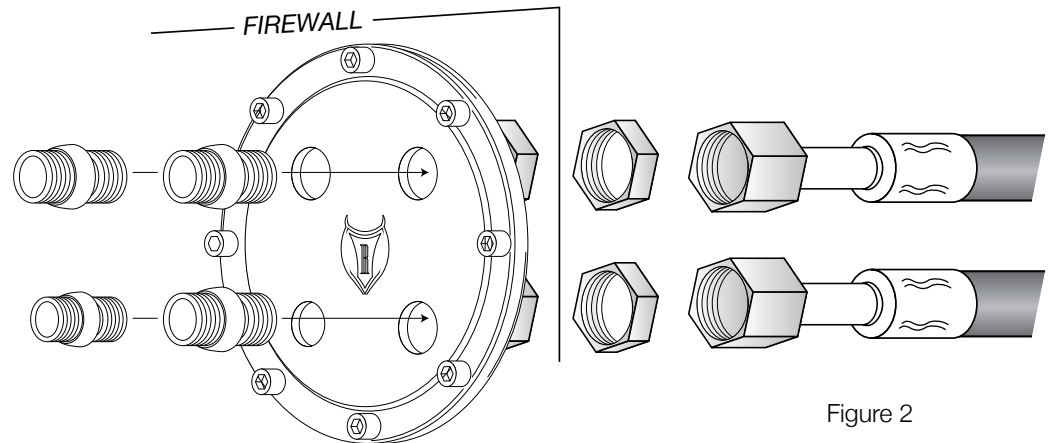
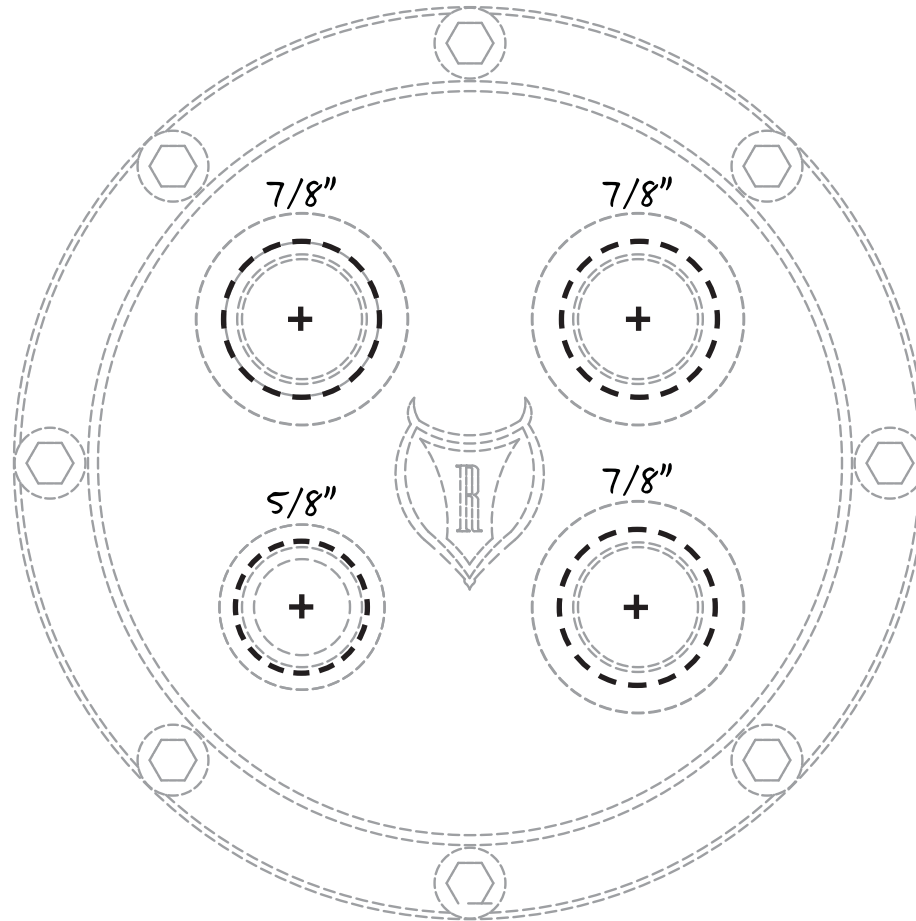


Figure 2



After drilling any holes, carefully deburr them to eliminate any potential snags.



Round Bulkhead Drilling Template