

# Hellwig PRODUCTS.COM

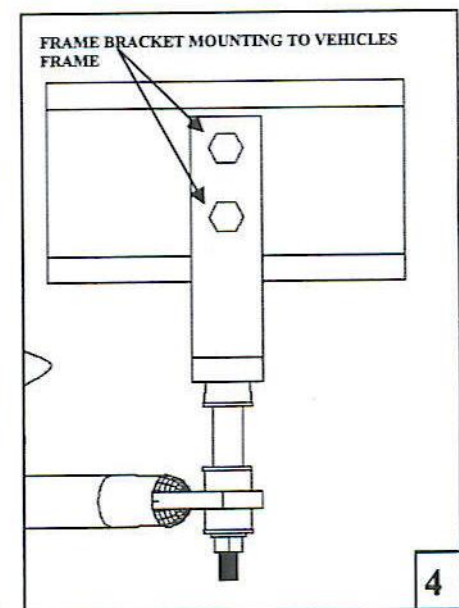
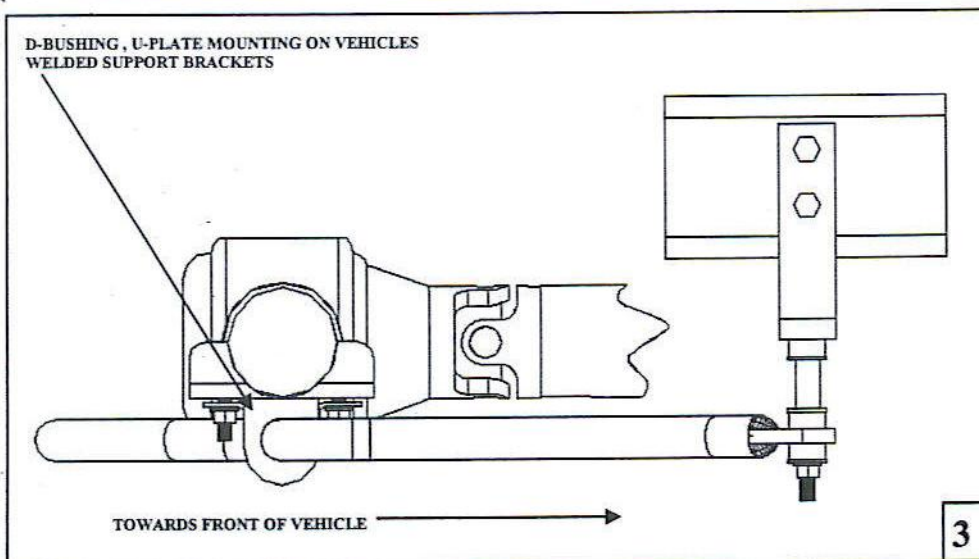
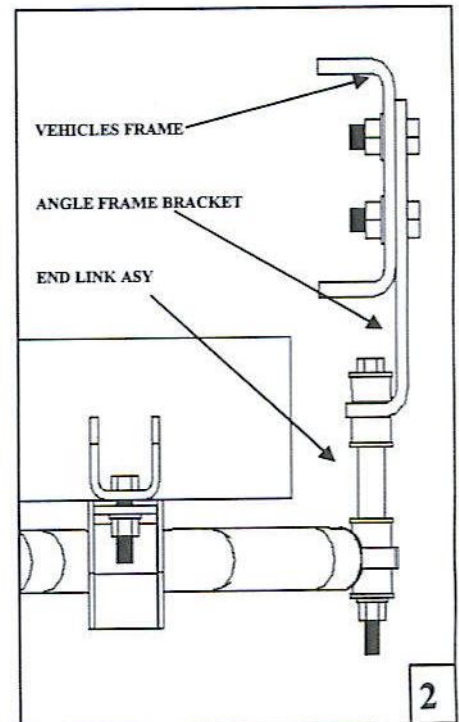
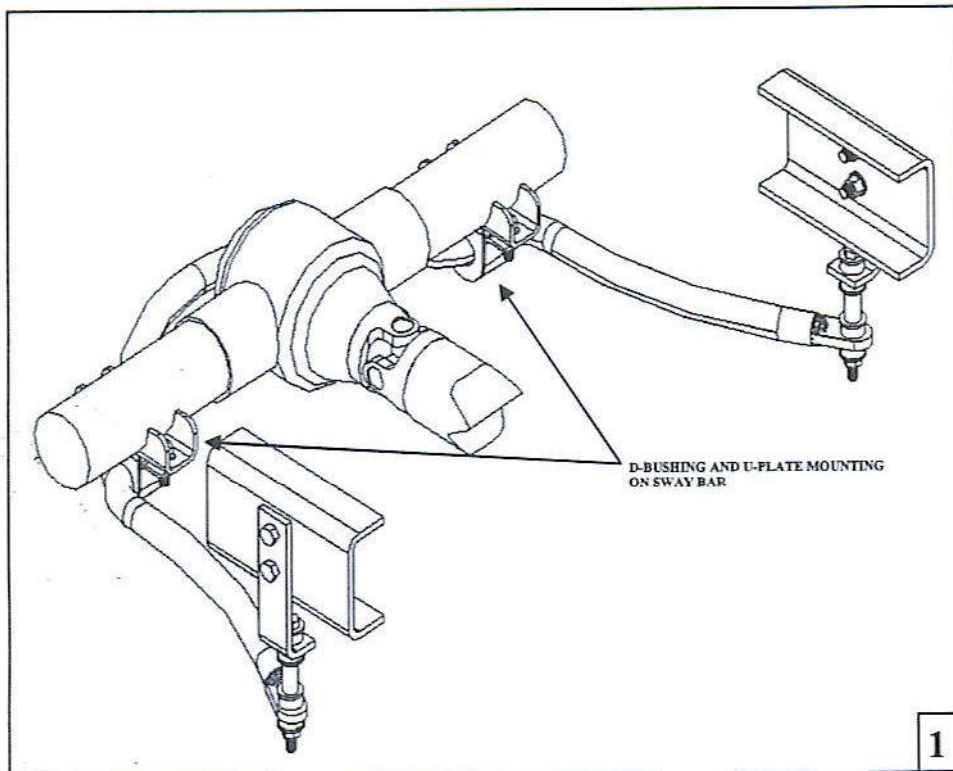
559-734-7451 800-367-5480 FAX 559-734-7460

## INSTALLATION INSTRUCTIONS

### Rear Stabilizer Bar 7180

1997-07 E40-450 SD CUTAWAY M/H CHASSIS

Thank you for purchasing a quality Hellwig Product.





559-734-7451 800-367-5480 FAX 559-734-7460

#### TORQUE TABLE

**BOLT SIZE:** 3/8" = 20-30 ft. lbs. - 7/16" = 35-45 ft. lbs. - 1/2" = 50-70 ft. lbs. - 9/16" = 70-90 ft. lbs.

**SAFETY: BEFORE STARTING YOUR INSTALLATION, BE SURE TO SET PARKING BRAKE AND CHOCK TIRES.**

**NOTE: TO EASE INSTALLATION AND TO PROPERLY ADJUST BAR, THE WEIGHT OF THE VEHICLE MUST BE ON THE SUSPENSION, AS IF DRIVING DOWN THE ROAD. DO NOT RAISE VEHICLE BY FRAME.**

**NOTE: IT WILL BE NECESSARY TO REVERSE THE LOWER SHOCK MOUNTING BOLTS SO THAT THE HEAD OF THE BOLT IS TOWARDS THE DIFFERENTIAL AND THE THREADS ARE TOWARDS THE VEHICLES TIRE.**

**NOTE: THIS UNIT IS DESIGNED TO REPLACE THE FACTORY INSTALLED REAR ANTI-SWAY BAR**

1. Remove the factory installed rear anti sway bar and all mounting hardware. Keep the four axle mounting bolts as they will be reused to mount the new rear sway bar.
2. Place the D-bushings on the sway bar as close to same locations as the factory sway bar. Place the u-plates over the D-bushings and attach the sway bar to the axle using the four mounting bolts that were removed in step one. Leave loose at this time to allow for adjustment later.
3. Assemble the end link assemblies as in photo ( 1 ). Attach the end links to angle frame brackets. Attach the frame brackets to the vehicles frame. See photos ( 2&3 ). Tighten the end link bushings slightly until the bushing start to bulge. Do not over tighten or damage can occur to the bushings.
4. Rotate the arms of the sway bar upwards so that the two holes on the angle frame brackets line up with the pre-drilled holes on the vehicles frame. Attach the angle frame brackets to the frame using the bolts, flat washers and lock nuts provided. Make sure that are no electrical wires, fuel or brake lines along the frame that can be damaged when tightening the angle brackets to the frame. See photo ( 4 ). Leave loose at this time to allow for adjustment later.
5. Align the sway bar to be centered at the axle and the end links are straight up and down as possible. Torque all mounting hardware to specified rates, be sure there are no electrical wires, brake or fuel lines inside the frames that can be damaged when the frame bolts are tightened.
6. Bounce the vehicle checking for clearance on all under carriage components shocks, exhaust components etc.
7. Test drive your vehicle recheck your installation readjust as needed. Check your installation on a regular monthly basis thereafter.

**ATTENTION INSTALLER : BE SURE CUSTOMER RECIEVES THIS INSTUCTION SHEET, ALL IMPORTANT NOTE CARDS AND THE WARRANTY FORM.**

# Heliwig PRODUCTS

559-734-7451 800-367-5480 FAX 559-734-7460

## RSB # 7180 PARTS LIST

<b>PART #</b>	<b>QTY</b>	<b>DESCRIPTION</b>
<b>20218049</b>	<b>1</b>	<b>1-1/2" SWAY BAR</b>
<b>20008049</b>	<b>1</b>	<b>COMPLETION KIT #</b>
20800180	2	U-PLATE
111000892	2	1-1/2" D- BUSHING
20800399	2	ANGLE FRAME BRACKET
101500199	2	1/2" X 6" END LINK
<b>125020762</b>	<b>1</b>	<b>BUSHING BAG # BG-762</b>
111000762	8	END LINK BUSHING
<b>125000049</b>	<b>1</b>	<b>SMALL PARTS BAG # BG-49</b>
20800163	2	END LINK SPACER
101500172	4	1/2" X 2" CAP SCREW
107521044	6	1/2" LOCK NUT
102520043	16	1/2" FLAT WASHER
<b>135000049</b>	<b>1</b>	<b>INSTRUCTION SHEET ( R-49 )</b>