

YEARS: 2011-CURRENT

MAKE: SCION

MODEL: xD

STYLE: HATCHBACK

WARNING: NEVER EXCEED YOUR VEHICLE MANUFACTURER'S RECOMMENDED TOWING CAPACITY

WEIGHT CARRYING:
TRAILER WEIGHT: 2,000 LBS.
TONGUE WEIGHT: 200 LBS.

WARNING:
 WE RECOMMEND THE USE OF 18050 STABILIZING STRAPS FOR ALL NON-TRAILER (WHEEL-LESS) LOADS. PLEASE SEE THE CURT CATALOG OR VISIT US ONLINE AT WWW.CURTMFG.COM FOR FURTHER INFORMATION.

INSTALLATION TIME: 35 MIN.

THE INSTALL TIME LISTED IS FOR PROFESSIONAL INSTALLERS. IF YOU ARE HESITANT TO UNDERTAKE THIS TASK ON YOUR OWN, CONTACT AN AUTHORIZED CURT INSTALLER FOR ADDITIONAL ASSISTANCE.

- INSTALLATION TIPS:**
- BEFORE YOU BEGIN INSTALLATION, READ ALL INSTRUCTIONS THOROUGHLY.
 - TO EASE INSTALLATION, 2 PEOPLE MAY BE REQUIRED.
 - USING PROPER TOOLS WILL GREATLY IMPROVE THE QUALITY OF THE INSTALL AND REDUCE THE TIME REQUIRED.
 - NEED HELP OR HAVE SOME QUESTIONS? CALL TECHNICAL SUPPORT AT 800.798.0813

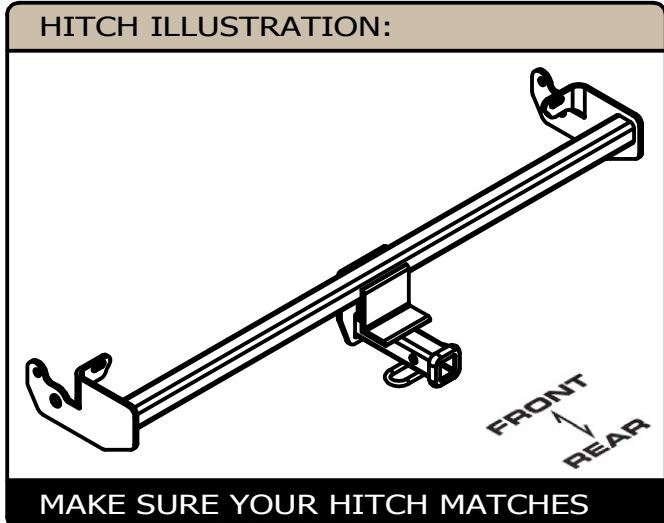


INSTALLATION REQUIRES:

SCREW DRIVER	RATCHET	SOCKET 12mm 9/16" 15/16"
BOXED END WRENCH 9/16" & 15/16"	TORQUE WRENCH	SAFETY GLASSES

LEVEL OF DIFFICULTY: MODERATE

EASY	MODERATE	CHALLENGING
TRIM	OPTIONAL UNDERBODY PANEL TRIMMING	
	NO DRILLING REQUIRED	



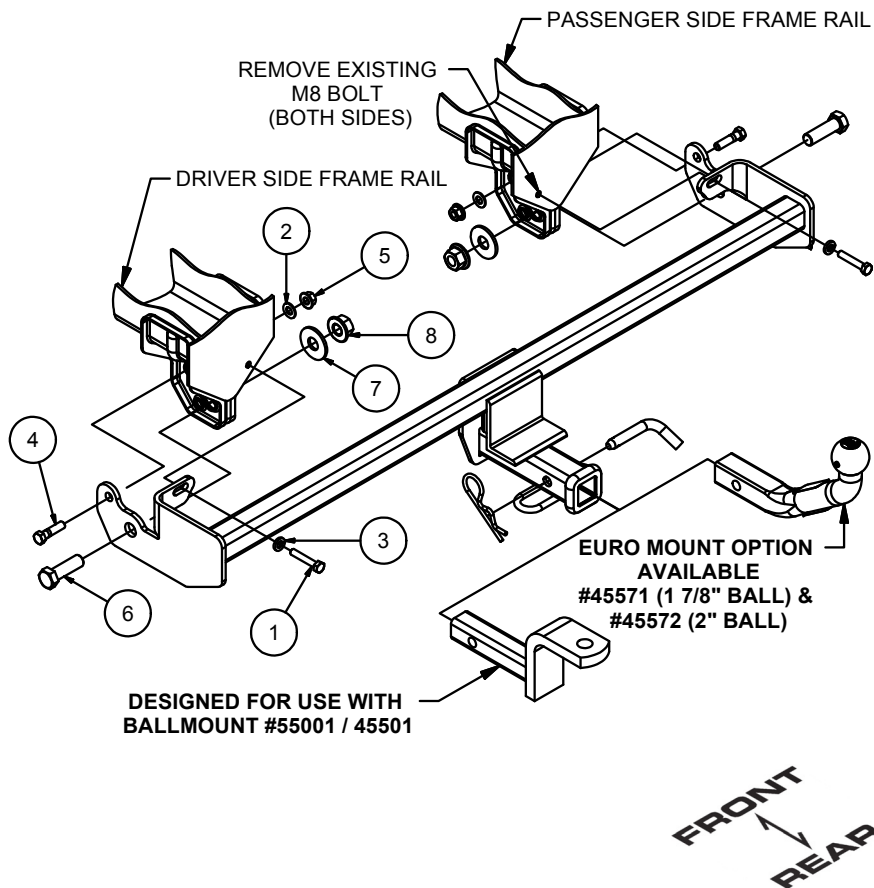
PERIODICALLY CHECK THIS RECEIVER HITCH TO ENSURE ALL FASTENERS ARE TIGHT AND ALL STRUCTURAL COMPONENTS ARE SOUND

CURT Manufacturing Inc. warrants this product to be free of defects in material and/or workmanship at the time of retail purchase by the original purchaser. If the product is found to be defective, Curt Manufacturing Inc. may repair or replace the product at their option, when the product is returned, prepaid, with proof of purchase. Alteration to, misuse of, or improper installation of this product voids the warranty. Curt Manufacturing Inc.'s liability is limited to repair or replacement of products found to be defective, and specifically excludes liability for incidental or consequential loss or damage.

For more information log onto www.curtmfg.com, & for helpful towing tips log onto www.hitchinfo.com

INSTALLATION WALKTHROUGH:

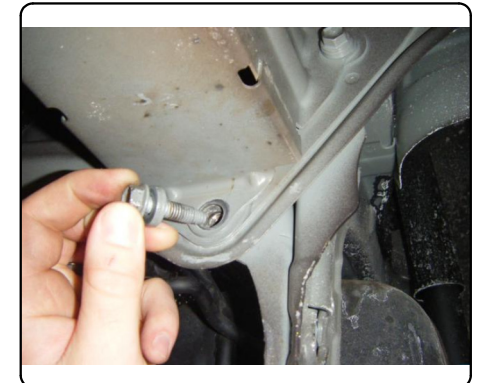
Parts List			
ITEM	QTY	PART NUMBER	DESCRIPTION
1	2	M8 - 1.25 x 45	HEX BOLT
2	2	3/8"	WASHER
3	2	3/8"	LOCK WASHER
4	2	3/8-16 X 1 1/2	HEX BOLT
5	2	HFN3816	HEX FLANGE NUT
6	2	5_8 - 11 x 2 HEX	HEX BOLT
7	2	5/8"	WASHER WIDE
8	2	5/8-11	HEX FLANGE NUT



1. Remove underbody panel (if present) by removing (7) push-button fasteners. Return panel to vehicle owner or trim and reinstall in STEP 5.



2. Remove (2) 8mm existing fasteners from frame and return to vehicle owner.

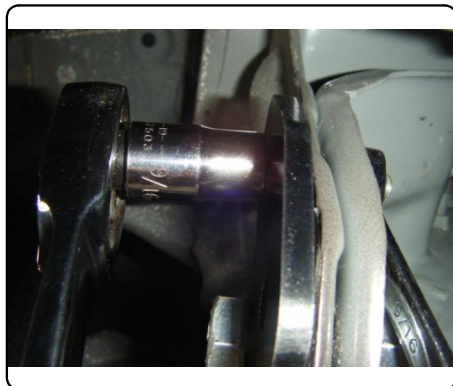
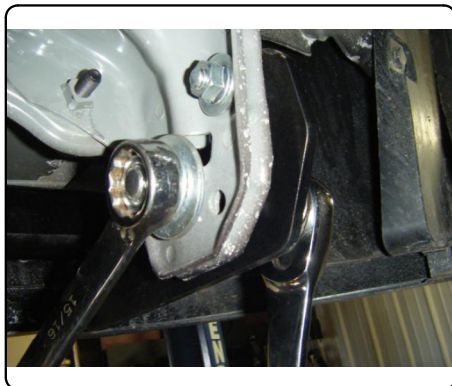


INSTALLATION WALKTHROUGH:

3. Raise hitch into position over exhaust and install supplied fasteners, as shown on page 2.

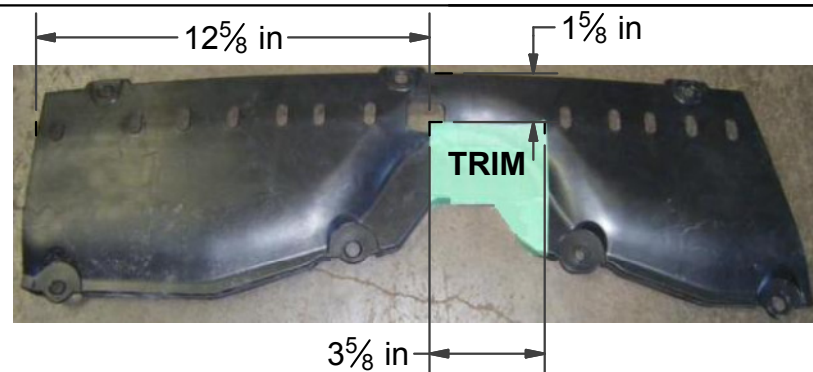


4. Torque all 8mm fasteners to 17 ft-lbs, all 3/8" fasteners to 30 ft-lbs, and all 5/8" fasteners to 150 ft-lbs.



5. If trimming option is selected, trim underbody panel removed in STEP 1 and reinstall. See diagram below.

Note: Trim dimensions are approximate. Check fit prior to completing trim

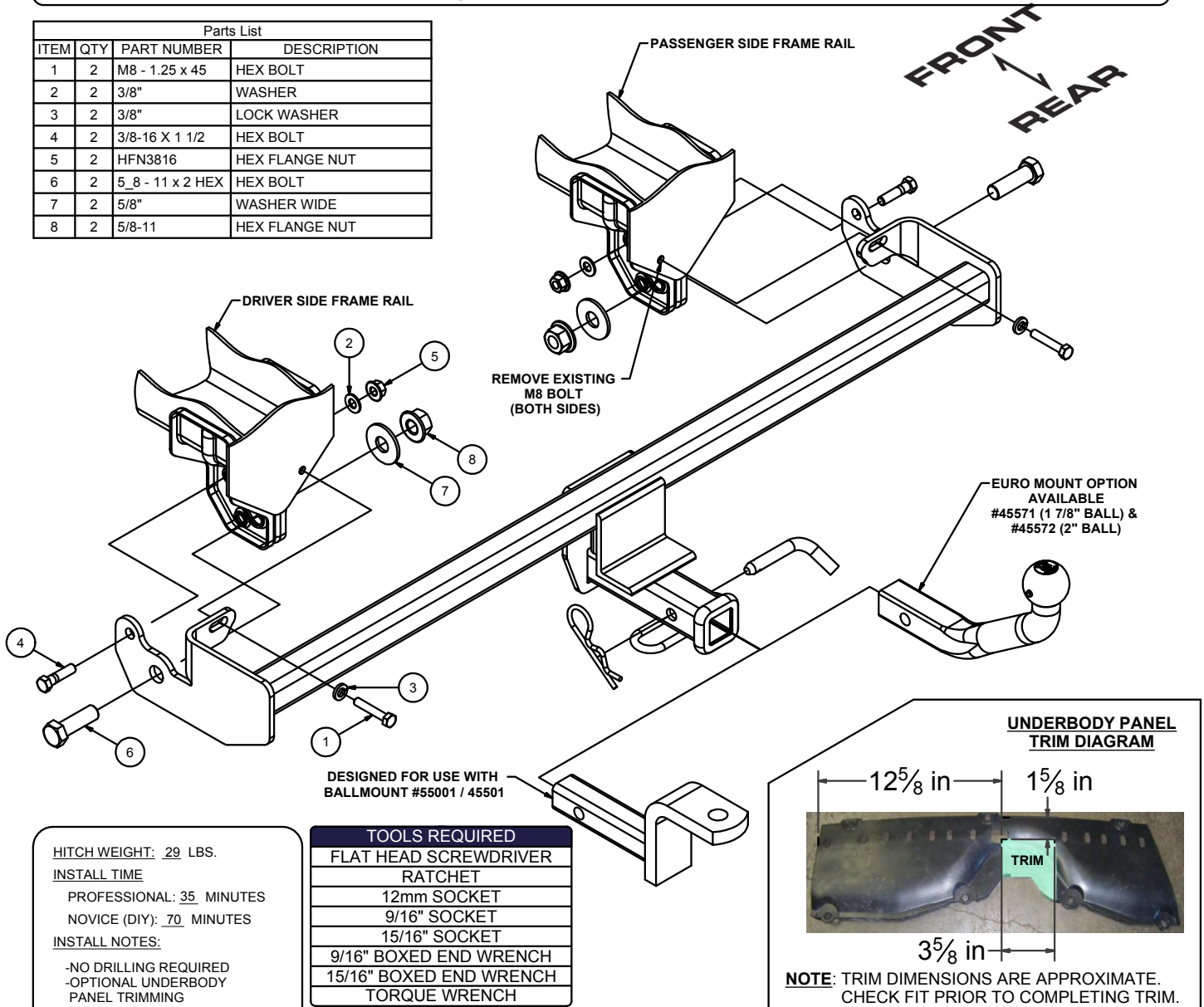


Install is complete.



11134**SCION xD****3/10/2011****GROSS LOAD CAPACITY WHEN USED AS A WEIGHT CARRYING HITCH: 2,000 LBS. TRAILER WEIGHT & 200 LBS. TONGUE WEIGHT.*******DO NOT EXCEED VEHICLE MANUFACTURER'S RECOMMENDED TOWING CAPACITY.*******WARNING: ALL NON-TRAILER LOADS APPLIED TO THIS PRODUCT MUST BE SUPPORTED BY 18050 STABILIZING STRAPS.****** FAILURE TO PROPERLY SUPPORT NON-TRAILER LOADS WILL VOID PRODUCT WARRANTY******HAVING INSTALLATION QUESTIONS? CALL TECHNICAL SUPPORT AT 1-800-798-0813**

Parts List			
ITEM	QTY	PART NUMBER	DESCRIPTION
1	2	M8 - 1.25 x 45	HEX BOLT
2	2	3/8"	WASHER
3	2	3/8"	LOCK WASHER
4	2	3/8-16 X 1 1/2	HEX BOLT
5	2	HFN3816	HEX FLANGE NUT
6	2	5_8 - 11 x 2 HEX	HEX BOLT
7	2	5/8"	WASHER WIDE
8	2	5/8-11	HEX FLANGE NUT

**HITCH WEIGHT:** 29 LBS.**INSTALL TIME**

PROFESSIONAL: 35 MINUTES

NOVICE (DIY): 70 MINUTES

INSTALL NOTES:

-NO DRILLING REQUIRED

-OPTIONAL UNDERBODY

PANEL TRIMMING

TOOLS REQUIRED

FLAT HEAD SCREWDRIVER

RATCHET

12mm SOCKET

9/16" SOCKET

15/16" SOCKET

9/16" BOXED END WRENCH

15/16" BOXED END WRENCH

TORQUE WRENCH

INSTALLATION STEPS

1. Remove underbody panel (if present) by removing (7) push-button fasteners. Return panel to vehicle owner or trim and reinstall in STEP 5.
2. Remove (2) 8mm existing fasteners from frame, as shown above, and return to vehicle owner.
3. Raise hitch into position over exhaust and loosely install supplied fasteners, as shown above.
4. Torque all 5/8" fasteners to 150 ft-lbs, all 3/8" fasteners to 30 ft-lbs, and all 8mm fasteners to 17 ft-lbs.
5. If trimming option is selected, trim underbody panel removed in STEP 1 and reinstall. See UNDERBODY TRIM DIAGRAM above.

PERIODICALLY CHECK THIS RECEIVER HITCH TO ENSURE THAT ALL FASTENERS ARE TIGHT AND THAT ALL STRUCTURAL COMPONENTS ARE SOUND.

Curt Manufacturing Inc., warrants this product to be free of defects in material and/or workmanship at the time of retail purchase by the original purchaser. If the product is found to be defective, Curt Manufacturing Inc., may repair or replace the product, at their option, when the product is returned, prepaid, with proof of purchase. Alteration to, misuse of, or improper installation of this product voids the warranty. Curt Manufacturing Inc.'s liability is limited to repair or replacement of products found to be defective, and specifically excludes liability for incidental or consequential loss or damage.