

**11216****99-01 HYUNDAI SONATA, 01-06 KIA OPTIMA**

10/12/2012

GROSS LOAD CAPACITY WHEN USED AS A WEIGHT CARRYING HITCH: 2,000 LBS. TRAILER WEIGHT &amp; 200 LBS. TONGUE WEIGHT.

**\*\*\*DO NOT EXCEED VEHICLE MANUFACTURER'S RECOMMENDED TOWING CAPACITY.\*\*\*****WARNING: ALL NON-TRAILER LOADS APPLIED TO THIS PRODUCT MUST BE SUPPORTED BY AUXILIARY STABILIZING STRAPS.****\*\* FAILURE TO PROPERLY SUPPORT NON-TRAILER LOADS WILL VOID PRODUCT WARRANTY\*\***

HAVING INSTALLATION QUESTIONS? CALL TECHNICAL SUPPORT AT 1-800-798-0813

## Parts List

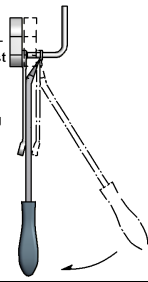
ITEM	QTY	PART NUMBER	DESCRIPTION
1	4	M10-1.25 x 35	HEX TAP BOLT
2	4	3/8"	CONICAL TOOTHED WASHER

**RUBBER ISOLATOR  
REMOVAL DIAGRAM**

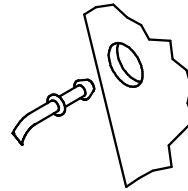
This technique can be used if and Exhaust Hanger Removal Pliers is not available.

Using a 5/8" open end wrench, slide the wrench up to the rubber isolator, cradling the hanger rod as shown. Next place the flat edge of a pry bar between the wrench and the hanger stop or hanger rod. Then simply rotate the pry bar toward the wrench to remove the rubber isolator.

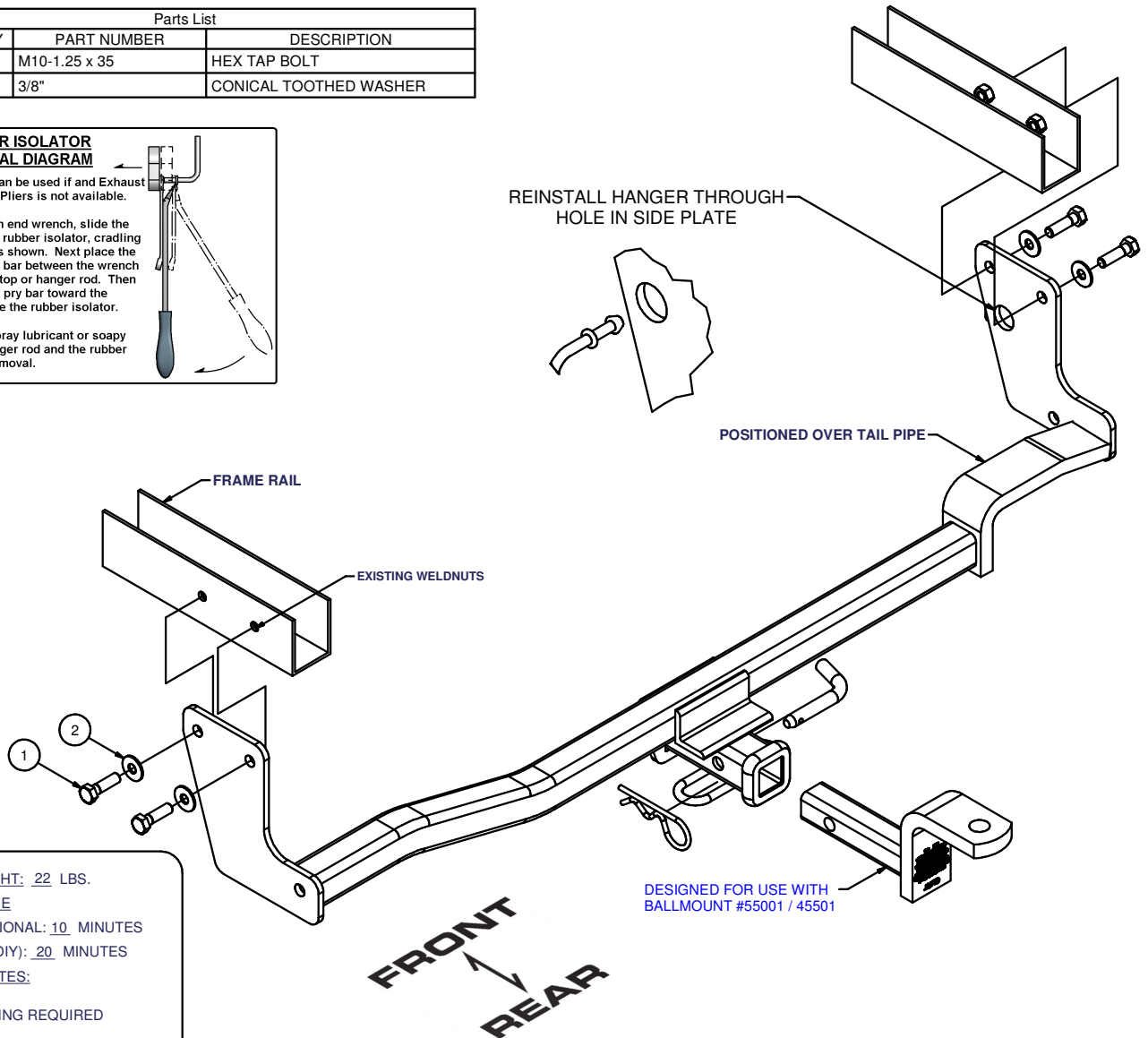
Note: Using a spray lubricant or soapy water on the hanger rod and the rubber isolator helps removal.



REINSTALL HANGER THROUGH HOLE IN SIDE PLATE



POSITIONED OVER TAIL PIPE

HITCH WEIGHT: 22 LBS.

## INSTALL TIME

PROFESSIONAL: 10 MINUTESNOVICE (DIY): 20 MINUTES

## INSTALL NOTES:

NO DRILLING REQUIRED

**INSTALLATION STEPS**

- 1) Later models will require rear most exhaust hanger to be temporarily removed from bottom of passenger side frame rail. Hanger will be re-installed through hole in hitch side plate.
- 2) Raise hitch into position over the tail pipe and align holes in hitch and frame rails. Use fasteners as shown. **(Note: Threaded holes may be cleaned for easier installation using a M10 X 1.25mm tap. A black cannister located on left frame rail may be loosened or removed temporarily to ease installation.)**
- 3) Torque all M10 fasteners to 48 lb-ft. Re-install exhaust, black cannister and/or any other parts removed for ease of installation.

**PERIODICALLY CHECK THIS RECEIVER HITCH TO ENSURE THAT ALL FASTENERS ARE TIGHT AND THAT ALL STRUCTURAL COMPONENTS ARE SOUND.**

Curt Manufacturing Inc., warrants this product to be free of defects in material and/or workmanship at the time of retail purchase by the original purchaser. If the product is found to be defective, Curt Manufacturing Inc., may repair or replace the product, at their option, when the product is returned, prepaid, with proof of purchase. Alteration to, misuse of, or improper installation of this product voids the warranty. Curt Manufacturing Inc.'s liability is limited to repair or replacement of products found to be defective, and specifically excludes liability for incidental or consequential loss or damage.