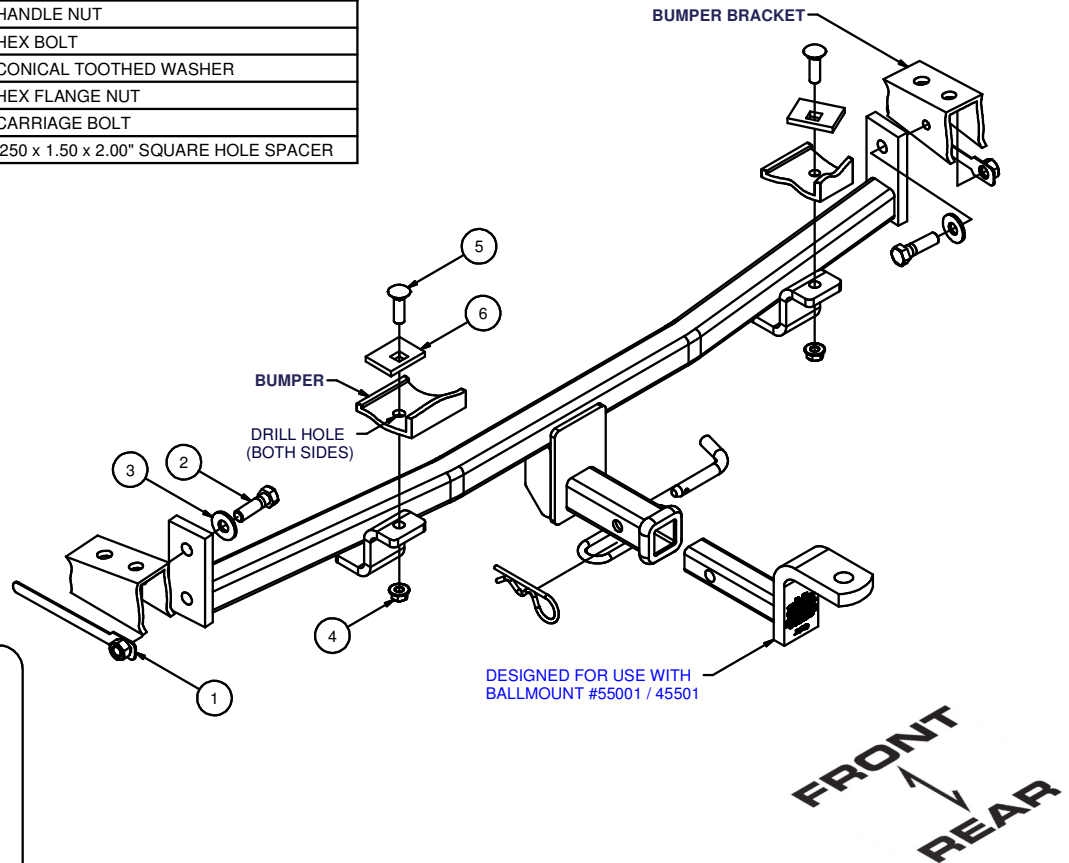


11224**1999-2002 INFINITI G20****12/7/2012****GROSS LOAD CAPACITY WHEN USED AS A WEIGHT CARRYING HITCH: 2,000 LBS. TRAILER WEIGHT & 200 LBS. TONGUE WEIGHT.*******DO NOT EXCEED VEHICLE MANUFACTURER'S RECOMMENDED TOWING CAPACITY.*******WARNING: ALL NON-TRAILER LOADS APPLIED TO THIS PRODUCT MUST BE SUPPORTED BY 18050 STABILIZING STRAPS.****** FAILURE TO PROPERLY SUPPORT NON-TRAILER LOADS WILL VOID PRODUCT WARRANTY******HAVING INSTALLATION QUESTIONS? CALL TECHNICAL SUPPORT AT 1-800-798-0813**

Parts List			
ITEM	QTY	PART NUMBER	DESCRIPTION
1	2	1/2-13	HANDLE NUT
2	2	1/2-13 x 1 3/4	HEX BOLT
3	2	1/2"	CONICAL TOOTHED WASHER
4	2	7/16-14	HEX FLANGE NUT
5	2	7/16-14 x 1 1/2	CARRIAGE BOLT
6	2	CM-SP33	.250 x 1.50 x 2.00" SQUARE HOLE SPACER

HITCH WEIGHT: 23 LBS.**INSTALL TIME**PROFESSIONAL: 30 MINUTESNOVICE (DIY): 60 MINUTES**INSTALL NOTES:**

- DRILLING REQUIRED
- DISCONNECT LIGHT WIRES
- REMOVE TIE DOWN BRACKET
- REMOVE BUMPER FASCIA
- REMOVE BUMPER

INSTALLATION STEPS

1. Temporarily remove fascia by removing (5) plastic and (2) steel screws at fascia bottom and tirewell. Disconnect side marker light wires. Under car, release three plastic center clips.
2. Permanently remove tie down bracket bolted outside under driver's side frame rail. Return bracket to vehicle owner.
3. Position the hitch on vehicle steel bumper with hitch end brackets fitting to inside of bumper brackets and inner brackets against flat lower surface of bumper. Position hitch as far rearward on bumper as possible. Level hitch on vehicle. Using hitch as a template, mark holes for drilling. Remove hitch and drill all holes.
4. Remove bumper temporarily for hitch mounting. Remove (4) bolts in trunk under plastic caps to remove bumper. Install 1/2" hardware as shown.
5. Reinstall bumper and mount hitch to bumper using 7/16" fasteners as shown.
6. Torque all 1/2" fasteners to 110 lb-ft and all 7/16" hardware to 70 lb-ft.
7. Reinstall fascia and side marker light wire removed in Step 1.

PERIODICALLY CHECK THIS RECEIVER HITCH TO ENSURE THAT ALL FASTENERS ARE TIGHT AND THAT ALL STRUCTURAL COMPONENTS ARE SOUND.

Curt Manufacturing Inc., warrants this product to be free of defects in material and/or workmanship at the time of retail purchase by the original purchaser. If the product is found to be defective, Curt Manufacturing Inc., may repair or replace the product, at their option, when the product is returned, prepaid, with proof of purchase. Alteration to, misuse of, or improper installation of this product voids the warranty. Curt Manufacturing Inc.'s liability is limited to repair or replacement of products found to be defective, and specifically excludes liability for incidental or consequential loss or damage.