

**11443****SUZUKI SX4****9/04/2009****GROSS LOAD CAPACITY WHEN USED AS A WEIGHT CARRYING HITCH: 2,000 LBS. TRAILER WEIGHT & 200 LBS. TONGUE WEIGHT.**

\*\*\*DO NOT EXCEED VEHICLE MANUFACTURER'S RECOMMENDED TOWING CAPACITY.\*\*\*

**WARNING: ALL NON-TRAILER LOADS APPLIED TO THIS PRODUCT MUST BE SUPPORTED BY AUXILIARY STABILIZING STRAPS.**

\*\* FAILURE TO PROPERLY SUPPORT NON-TRAILER LOADS WILL VOID PRODUCT WARRANTY\*\*

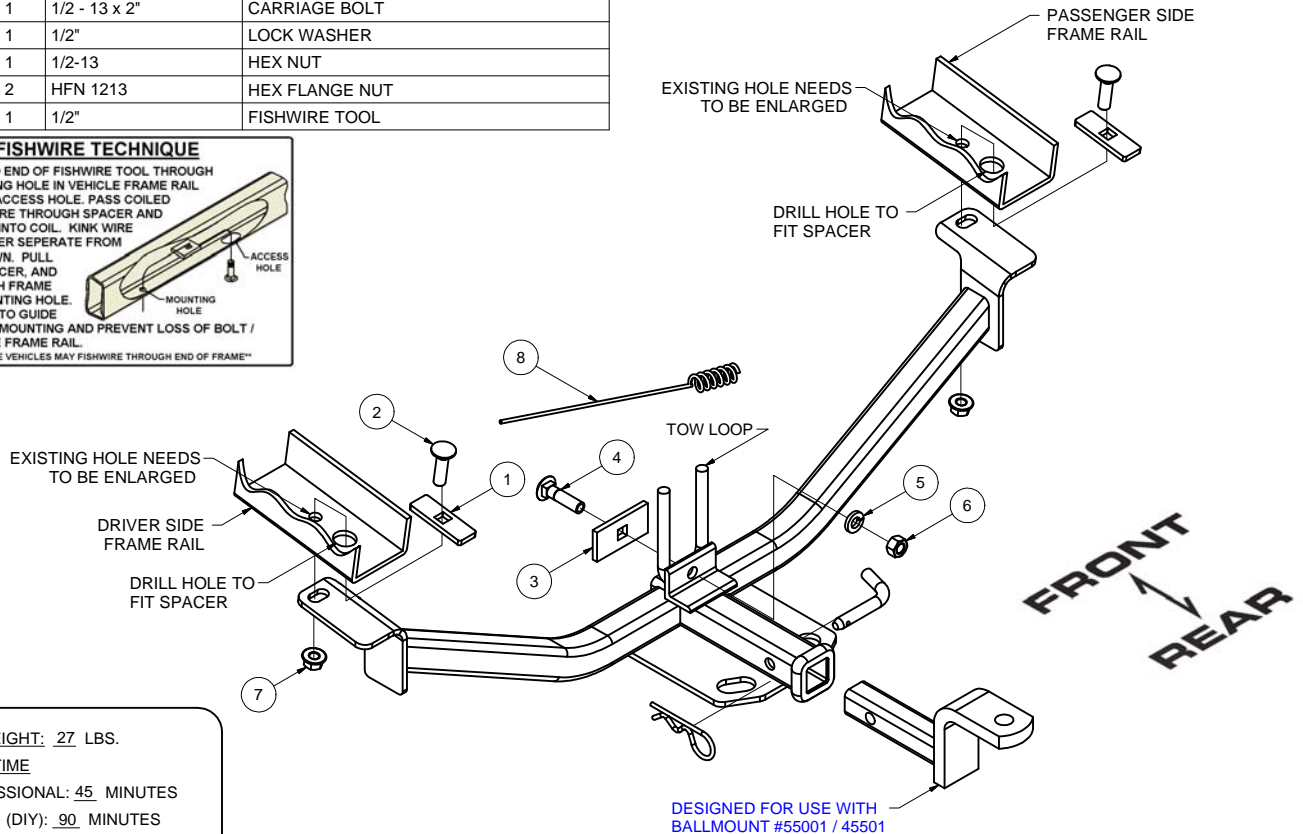
**HAVING INSTALLATION QUESTIONS? CALL TECHNICAL SUPPORT AT 1-800-798-0813**

Parts List			
ITEM	QTY	PART NUMBER	DESCRIPTION
1	2	CM-SP6	.250 x 1.00 x 3.00" SQUARE HOLE SPACER
2	2	1/2-13 x 1 3/4	CARRIAGE BOLT
3	1	CM-SP4	.250 x 1.50 x 3.00" SQUARE HOLE SPACER
4	1	1/2 - 13 x 2"	CARRIAGE BOLT
5	1	1/2"	LOCK WASHER
6	1	1/2-13	HEX NUT
7	2	HFN 1213	HEX FLANGE NUT
8	1	1/2"	FISHWIRE TOOL

**FISHWIRE TECHNIQUE**

INSERT COILED END OF FISHWIRE TOOL THROUGH HITCH MOUNTING HOLE IN VEHICLE FRAME RAIL AND OUT THE ACCESS HOLE. PASS COILED END OF FISHWIRE THROUGH SPACER AND THREAD BOLT INTO COIL. KINK WIRE TO KEEP SPACER SEPARATE FROM BOLT AS SHOWN. PULL FISHWIRE, SPACER, AND BOLT THROUGH FRAME AND OUT MOUNTING HOLE. USE FISHWIRE TO GUIDE HITCH DURING MOUNTING AND PREVENT LOSS OF BOLT / SPACER INSIDE FRAME RAIL.

\*\*NOTE: SOME VEHICLES MAY FISHWIRE THROUGH END OF FRAME\*\*



HITCH WEIGHT: 27 LBS.

**INSTALL TIME**

PROFESSIONAL: 45 MINUTES

NOVICE (DIY): 90 MINUTES

**INSTALL NOTES:**

- DRILL ACCESS HOLES
- ENLARGE HOLES
- LOWER EXHAUST

**INSTALLATION STEPS**

- 1) Lower last three exhaust hangers on vehicle for ease of installation.
- 2) Drill 1" access hole in frame, both sides, for fishwiring. Holes drilled should be about 1" - 1 1/2" from rear most existing holes in frame to be covered up by hitch sideplates.
- 3) Enlarge the last hole on both frame rails to fit a 1/2" bolt.
- 4) Fishwire 1/2" carriage bolts with SP6 spacers into enlarged holes in frame rail as shown, both sides.
- 5) Raise hitch into position and tighten sideplates with 1/2" flange nuts.
- 6) Attach 1/2" carriage bolt through SP4 spacer and tow hook, then tighten to the mounting angle using a 1/2" lockwasher and 1/2" nut.
- 7) Torque all 1/2" hardware to 75 ft-lbs.
- 8) Reattach all three exhaust hangers.

PERIODICALLY CHECK THIS RECEIVER HITCH TO ENSURE THAT ALL FASTENERS ARE TIGHT AND THAT ALL STRUCTURAL COMPONENTS ARE SOUND.

Curt Manufacturing Inc., warrants this product to be free of defects in material and/or workmanship at the time of retail purchase by the original purchaser. If the product is found to be defective, Curt Manufacturing Inc., may repair or replace the product, at their option, when the product is returned, prepaid, with proof of purchase. Alteration to, misuse of, or improper installation of this product voids the warranty. Curt Manufacturing Inc.'s liability is limited to repair or replacement of products found to be defective, and specifically excludes liability for incidental or consequential loss or damage.