

11446

SUZUKI SX4 SPORT

9/8/2009

GROSS LOAD CAPACITY WHEN USED AS A WEIGHT CARRYING HITCH: 2,000 LBS. TRAILER WEIGHT & 200 LBS. TONGUE WEIGHT.

\*\*\*DO NOT EXCEED VEHICLE MANUFACTURER'S RECOMMENDED TOWING CAPACITY.\*\*\*

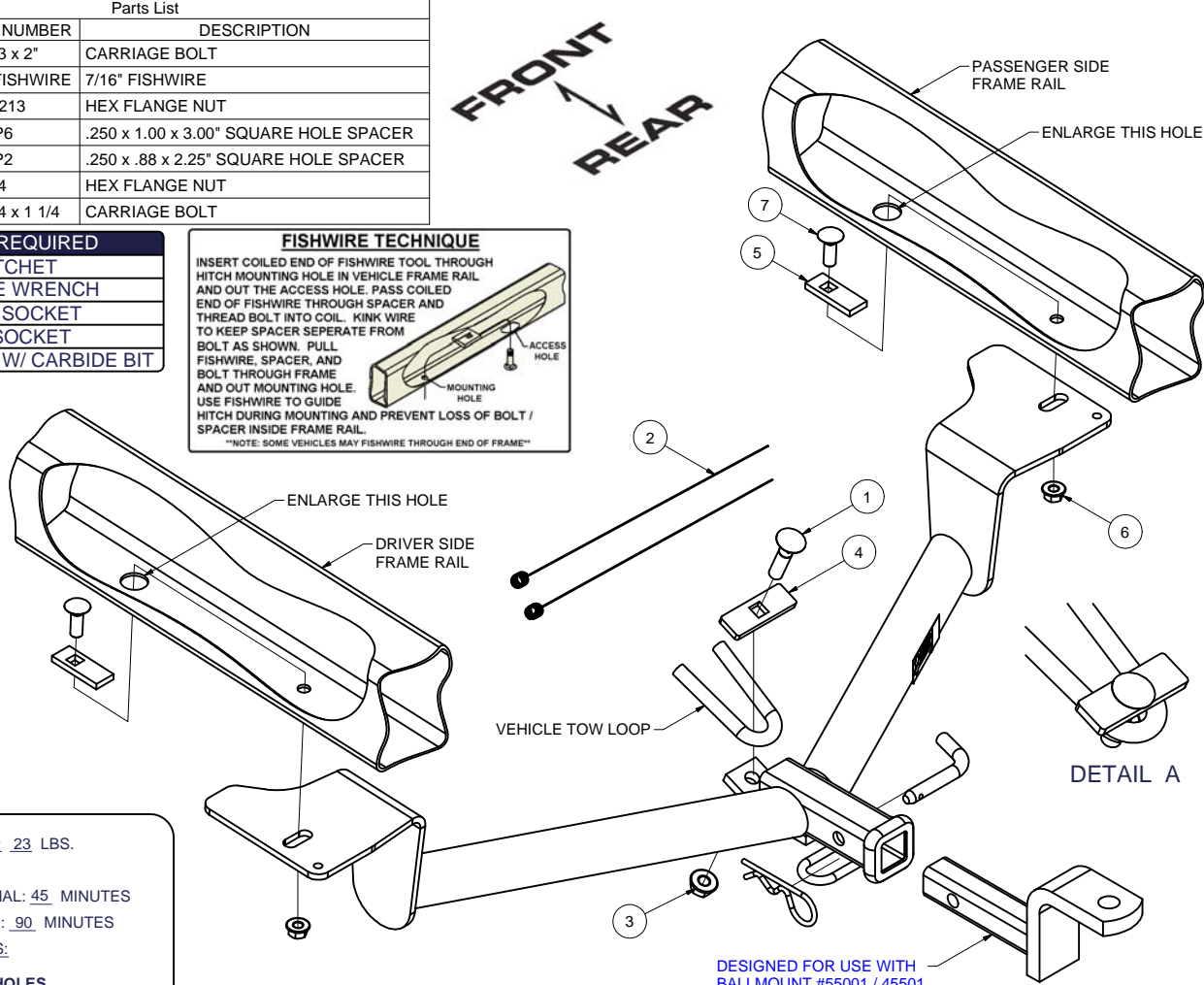
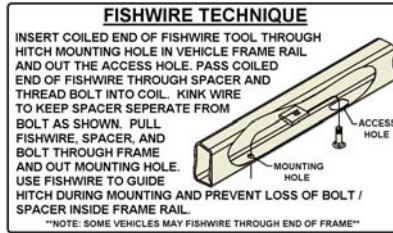
**WARNING: ALL NON-TRAILER LOADS APPLIED TO THIS PRODUCT MUST BE SUPPORTED BY AUXILIARY STABILIZING STRAPS.**

\*\* FAILURE TO PROPERLY SUPPORT NON-TRAILER LOADS WILL VOID PRODUCT WARRANTY\*\*

HAVING INSTALLATION QUESTIONS? CALL TECHNICAL SUPPORT AT 1-800-798-0813

Parts List			
ITEM	QTY	PART NUMBER	DESCRIPTION
1	1	1/2 - 13 x 2"	CARRIAGE BOLT
2	2	7_16 FISHWIRE	7/16" FISHWIRE
3	1	HFN 1213	HEX FLANGE NUT
4	1	CM-SP6	.250 x 1.00 x 3.00" SQUARE HOLE SPACER
5	2	CM-SP2	.250 x .88 x 2.25" SQUARE HOLE SPACER
6	2	7/16-14	HEX FLANGE NUT
7	2	7/16-14 x 1 1/4	CARRIAGE BOLT

TOOLS REQUIRED
RATCHET
TORQUE WRENCH
11/16" SOCKET
3/4" SOCKET
DIE GRINDER W/ CARBIDE BIT



**HITCH WEIGHT:** 23 LBS.  
**INSTALL TIME**  
 PROFESSIONAL: 45 MINUTES  
 NOVICE (DIY): 90 MINUTES  
**INSTALL NOTES:**  
 - ENLARGE HOLES  
 - FISHWIRE HARDWARE

DESIGNED FOR USE WITH BALLMOUNT #55001 / 45501

**INSTALLATION STEPS**

- Using the die grinder and carbide bit, enlarge the middle hole in both frame rails to allow for the CM-SP2 spacer and 7/16" carriage bolt to pass through.
- Fishwire the 7/16" carriage bolts and CM-SP2 spacers into position as shown in the diagrams above. Leave the fishwires attached to the bolts.
- Position the 1/2" carriage bolt and CM-SP6 spacer in tow loop as shown in DETAIL A.
- Thread the fishwires through the holes in the hitch and raise hitch into position above the exhaust tail pipe. Loosely install the 1/2" hex flange nut at tow loop mount.
- Remove the fishwires and install remaining flange nuts.
- Torque all 7/16" fasteners to 50 lb-ft, and all 1/2" fasteners to 75 lb-ft.

PERIODICALLY CHECK THIS RECEIVER HITCH TO ENSURE THAT ALL FASTENERS ARE TIGHT AND THAT ALL STRUCTURAL COMPONENTS ARE SOUND.

Curt Manufacturing Inc., warrants this product to be free of defects in material and/or workmanship at the time of retail purchase by the original purchaser. If the product is found to be defective, Curt Manufacturing Inc., may repair or replace the product, at their option, when the product is returned, prepaid, with proof of purchase. Alteration to, misuse of, or improper installation of this product voids the warranty. Curt Manufacturing Inc.'s liability is limited to repair or replacement of products found to be defective, and specifically excludes liability for incidental or consequential loss or damage.