

11821**1999-2008 SAAB 9-5**

11/13/2017

GROSS LOAD CAPACITY WHEN USED AS A WEIGHT CARRYING HITCH: 2,000 LBS. TRAILER WEIGHT & 200 LBS. TONGUE WEIGHT.

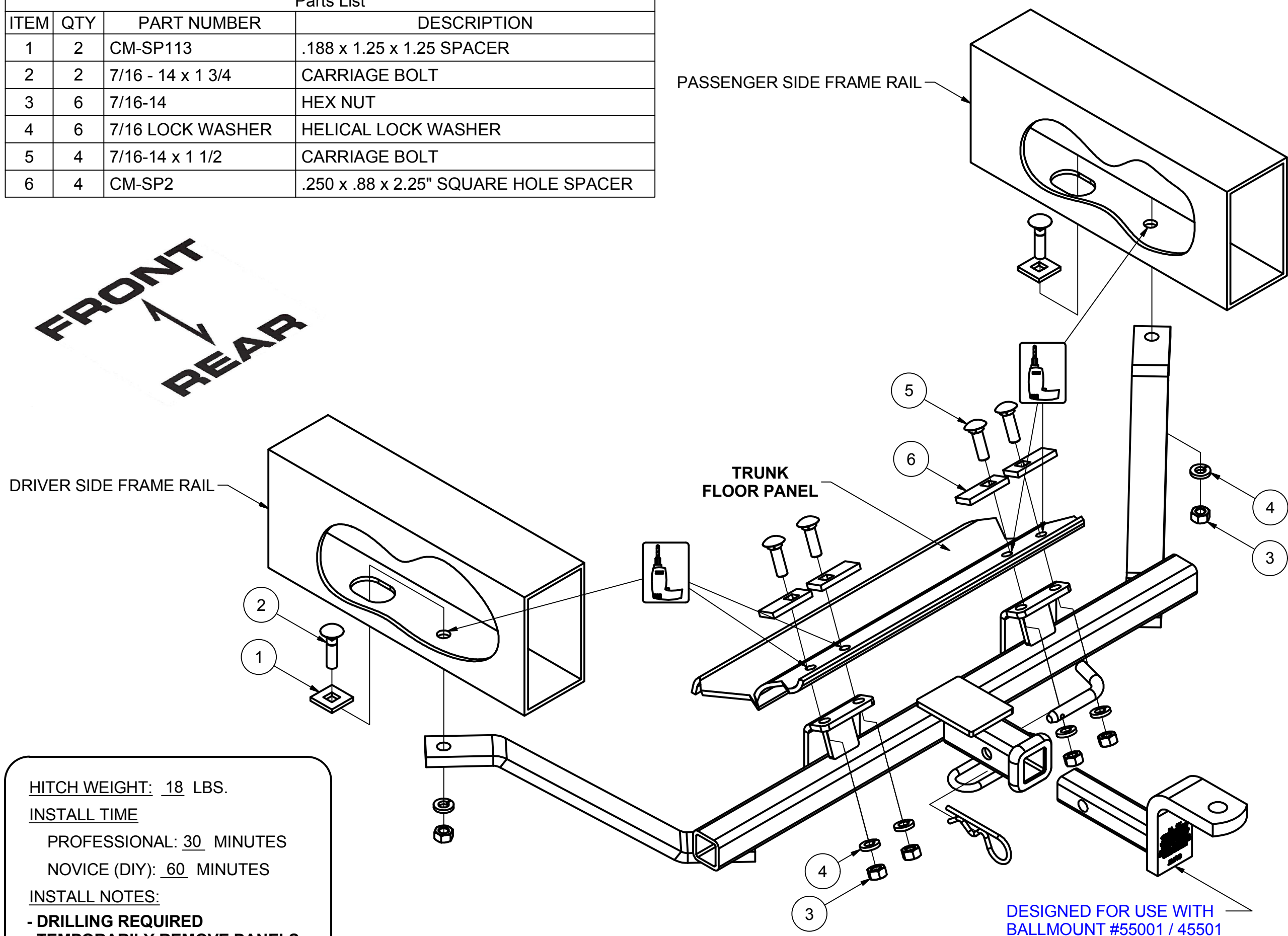
*****DO NOT EXCEED VEHICLE MANUFACTURER'S RECOMMENDED TOWING CAPACITY.*****

WARNING: ALL NON-TRAILER LOADS APPLIED TO THIS PRODUCT MUST BE SUPPORTED BY 18050 STABILIZING STRAPS.

**** FAILURE TO PROPERLY SUPPORT NON-TRAILER LOADS WILL VOID PRODUCT WARRANTY****

HAVING INSTALLATION QUESTIONS? CALL TECHNICAL SUPPORT AT 1-800-798-0813

Parts List			
ITEM	QTY	PART NUMBER	DESCRIPTION
1	2	CM-SP113	.188 x 1.25 x 1.25 SPACER
2	2	7/16 - 14 x 1 3/4	CARRIAGE BOLT
3	6	7/16-14	HEX NUT
4	6	7/16 LOCK WASHER	HELICAL LOCK WASHER
5	4	7/16-14 x 1 1/2	CARRIAGE BOLT
6	4	CM-SP2	.250 x .88 x 2.25" SQUARE HOLE SPACER



HITCH WEIGHT: 18 LBS.

INSTALL TIME

PROFESSIONAL: 30 MINUTES

NOVICE (DIY): 60 MINUTES

INSTALL NOTES:

- DRILLING REQUIRED
- TEMPORARILY REMOVE PANELS
- REMOVE TOW LOOP
- SILICONE SEAL HARDWARE

INSTALLATION STEPS

1. Remove the tow loop (3 bolts) and return to the vehicle owner. Inside rear of the car temporarily remove interior panels for access to the metal trunk floor.
2. Position the hitch as shown centering the hitch on the vehicle. Hitch is centered when the mounting arms are equally spaced side to side on each of the frame rails.
3. Use the hitch as a template for drilling the (6) mounting holes.
4. Center punch and drill (6) holes for 7/16" bolts.
5. Mount the hitch using the fasteners provided.
6. Torque all 7/16" bolts to 70 ft-lbs.
7. Use silicone sealant to seal hardware installed through trunk floor panel.
8. Reinstall interior panels removed in Step 1.

PERIODICALLY CHECK THIS RECEIVER HITCH TO ENSURE THAT ALL FASTENERS ARE TIGHT AND THAT ALL STRUCTURAL COMPONENTS ARE SOUND.

Curt Manufacturing Inc., warrants this product to be free of defects in material and/or workmanship at the time of retail purchase by the original purchaser. If the product is found to be defective, Curt Manufacturing Inc., may repair or replace the product, at their option, when the product is returned, prepaid, with proof of purchase. Alteration to, misuse of, or improper installation of this product voids the warranty. Curt Manufacturing Inc.'s liability is limited to repair or replacement of products found to be defective, and specifically excludes liability for incidental or consequential loss or damage.