

GROSS LOAD CAPACITY WHEN USED AS A WEIGHT CARRYING HITCH: 3,500 LBS. TRAILER WEIGHT & 350 LBS. TONGUE WEIGHT.

DO NOT EXCEED VEHICLE MANUFACTURER'S RECOMMENDED TOWING CAPACITY.

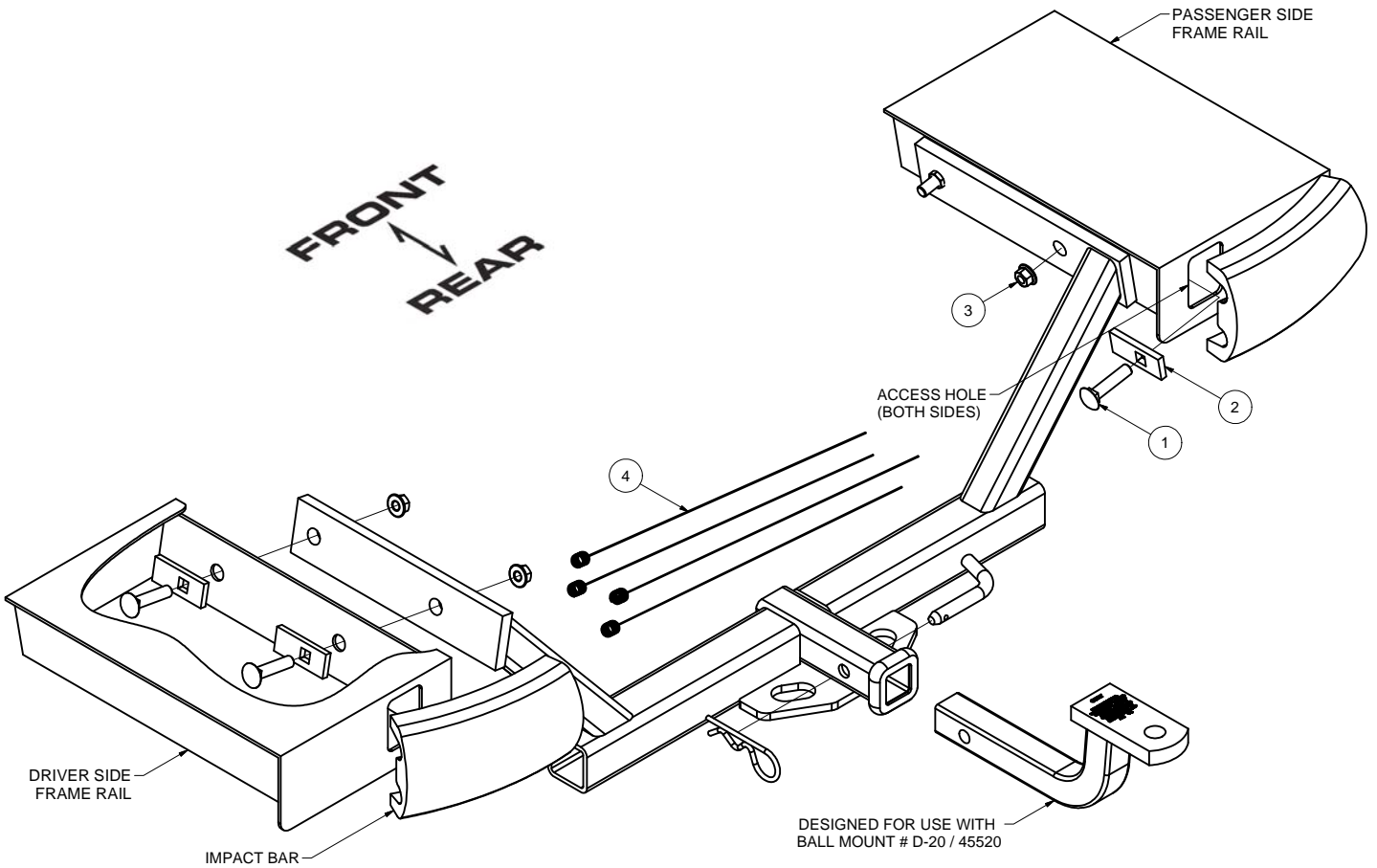
WARNING: ALL NON-TRAILER LOADS APPLIED TO THIS PRODUCT MUST BE SUPPORTED BY AUXILIARY STABILIZING STRAPS.

** FAILURE TO PROPERLY SUPPORT NON-TRAILER LOADS WILL VOID PRODUCT WARRANTY**

HAVING INSTALLATION QUESTIONS? CALL TECHNICAL SUPPORT AT 1-800-798-0813

Parts List			
ITEM	QTY	PART NUMBER	DESCRIPTION
1	4	7/16-14 x 2	CARRIAGE BOLT
2	4	CM-SP11	.250 x 1.00 x 2.50 SPACER
3	4	7/16-14	HEX FLANGE NUT
4	4	7_16 FISHWIRE	7/16" FISHWIRE

TOOLS REQUIRED
11/16 & 13mm WRENCHES
11/16 CROWFOOT ADAPTOR
RATCHET
TORQUE WRENCH



HITCH WEIGHT: .31 LBS.

INSTALL TIME

PROFESSIONAL: 60 MINUTES

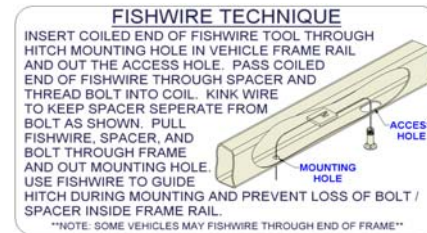
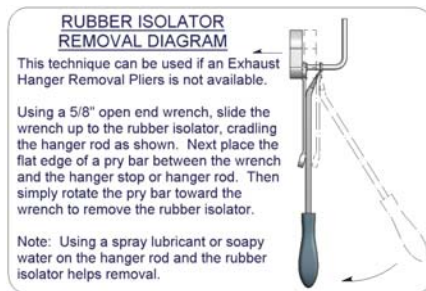
NOVICE (DIY): 120 MINUTES

INSTALL NOTES:

- LOWER EXHAUST
- FISHWIRE HARDWARE
- LOWER HEAT SHIELD

PERIODICALLY CHECK THIS RECEIVER HITCH TO ENSURE THAT ALL FASTENERS ARE TIGHT AND THAT ALL STRUCTURAL COMPONENTS ARE SOUND.

Curt Manufacturing Inc., warrants this product to be free of defects in material and/or workmanship at the time of retail purchase by the original purchaser. If the product is found to be defective, Curt Manufacturing Inc., may repair or replace the product, at their option, when the product is returned, prepaid, with proof of purchase. Alteration to, misuse of, or improper installation of this product voids the warranty. Curt Manufacturing Inc.'s liability is limited to repair or replacement of products found to be defective, and specifically excludes liability for incidental or consequential loss or damage.



INSTALLATION STEPS

- 1) Remove the (2) plastic fascia nuts from the fascia tabs. (Do not discard.)
- 2) Lower exhaust by removing the bolts holding the exhaust hangers on both sides. (See RUBBER ISOLATOR REMOVAL DIAGRAM)
- 3) Remove the (4) plastic nuts at the bottom of the trunk holding the heat shield in position. Gently pull the heat shield away from the frame rail to allow access to the frame rails. (Note: The heat shield cannot be removed.)
- 4) Remove the tape covering the holes on the side of the frame rails.
- 5) Using the access hole at the end of the frame rail (before the impact bar), fishwire the carriage bolts and spacers into position. Leave the fishwires attached to the carriage bolts. (See FISHWIRE TECHNIQUE)
- 6) Push the carriage bolts back into the frame rail leaving the fishwire and the extra wire sticking out between the frame rail and trunk.
- 7) Raise the hitch into position between the frame rails. Feed the fishwires through the adjacent holes in the hitch. Point the receiver tube down and rotate it into position through the fascia exhaust cut out. (Above the heat shield and muffler.) Be careful not to scratch the fascia. If excess caulking on the frame rail interferes with the installation lower the hitch and scrape off the excess caulking for installation.
- 8) Pull fasteners into position through the mounting holes and hitch.
- 9) Remove fishwires and secure using the hex flange nuts. (Be careful not to push the carriage bolts into the frame rails.)
- 10) Torque all 7/16-14 hardware to 50 lb-ft.
- 11) Bend heat shield back into position and reinstall heat shield plastic nuts removed in Step 3.
- 12) Raise exhaust sytem back into place and secure using the fasteners removed in Step 2.
- 13) Reinstall plastic nuts into bumper fascia. (removed in Step 1)

PERIODICALLY CHECK THIS RECEIVER HITCH TO ENSURE THAT ALL FASTENERS ARE TIGHT AND THAT ALL STRUCTURAL COMPONENTS ARE SOUND.