

**12314****00-04 JAGUAR S-TYPE**

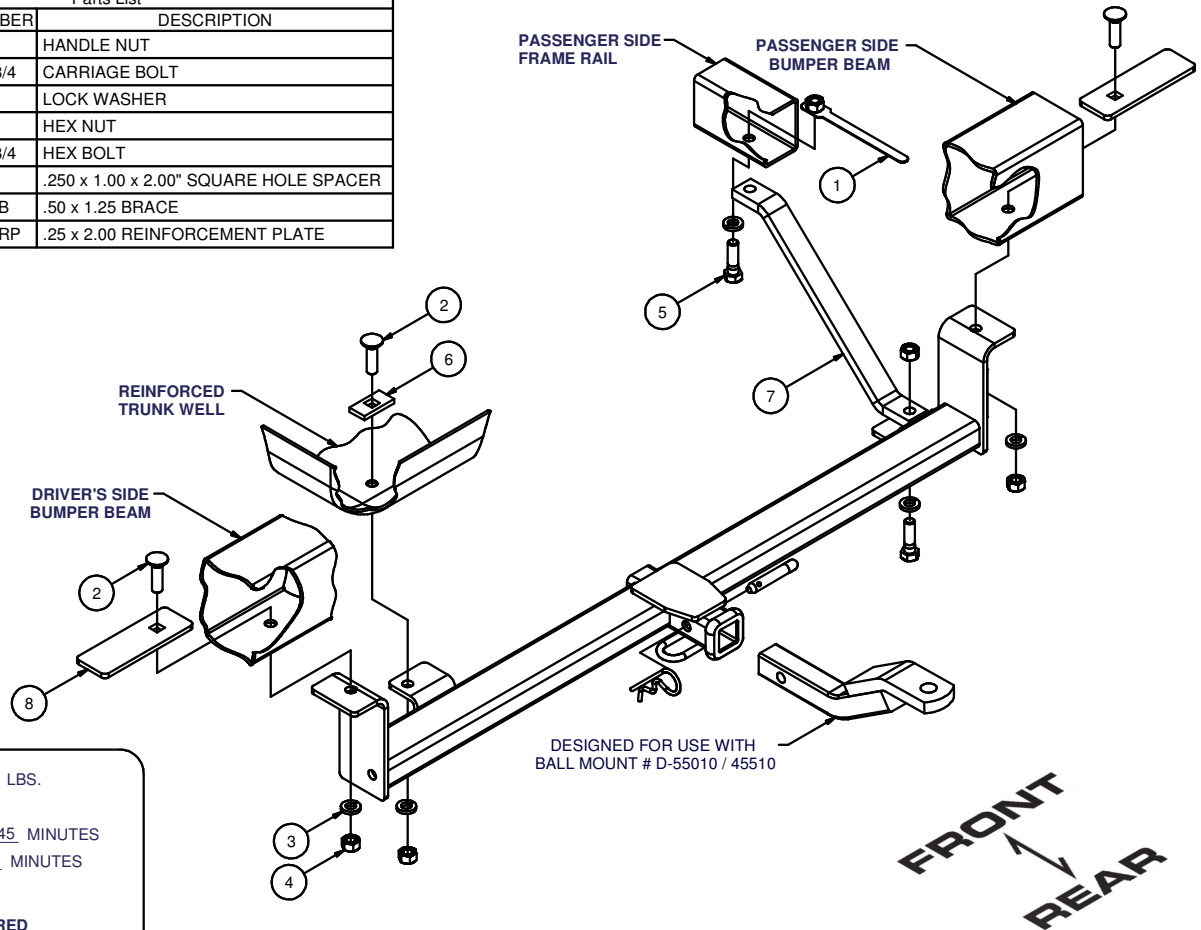
11/30/2012

GROSS LOAD CAPACITY WHEN USED AS A WEIGHT CARRYING HITCH: 3,500 LBS. TRAILER WEIGHT &amp; 300 LBS. TONGUE WEIGHT.

**\*\*\*DO NOT EXCEED VEHICLE MANUFACTURER'S RECOMMENDED TOWING CAPACITY.\*\*\*****WARNING: ALL NON-TRAILER LOADS APPLIED TO THIS PRODUCT MUST BE SUPPORTED BY AUXILIARY STABILIZING STRAPS.****\*\* FAILURE TO PROPERLY SUPPORT NON-TRAILER LOADS WILL VOID PRODUCT WARRANTY\*\***

HAVING INSTALLATION QUESTIONS? CALL TECHNICAL SUPPORT AT 1-800-798-0813

Parts List			
ITEM	QTY	PART NUMBER	DESCRIPTION
1	1	1/2-13	HANDLE NUT
2	3	1/2-13 x 1 3/4	CARRIAGE BOLT
3	5	1/2"	LOCK WASHER
4	4	1/2-13	HEX NUT
5	2	1/2-13 x 1 3/4	HEX BOLT
6	1	CM-SP12	.250 x 1.00 x 2.00" SQUARE HOLE SPACER
7	1	CM-12314-B	.50 x 1.25 BRACE
8	2	CM-12314-RP	.25 x 2.00 REINFORCEMENT PLATE



HITCH WEIGHT: .32 LBS.

**INSTALL TIME**

PROFESSIONAL: 45 MINUTES

NOVICE (DIY): 90 MINUTES

**INSTALL NOTES:****- DRILLING REQUIRED****INSTALLATION STEPS**

1. This hitch mounts to the bottom of the rear bumper beam (aluminum) and to the reinforced left (driver's side) trunk well. Also to the right side frame rail.
2. Clear the car's trunk well for drilling. Installation is easier if the rearmost exhaust hangers are temporarily removed. Loosen clamp and swing the muffler down.
3. Position and support the hitch under the bumper beam and trunk well centered on the car. Drill the bottom of the beam through the end brackets and trunk well using the angle brackets as a template.
4. Insert one of the longer backing plates with the carriage bolt into each open end of the bumper beam as shown, and fasten using hardware supplied, with the backing plates and bolts placed from inside the car.
5. Install the hitch bracket on top of the right side tab on the hitch body and fasten as shown. Position the bracket at the bottom of the frame rail and drill for 1/2" diameter bolts. Mount as shown with the handle nuts placed inside the rail from an access hole to the rear of the drilled holes.
6. Torque all 1/2" fasteners to 110 lb-ft.

**PERIODICALLY CHECK THIS RECEIVER HITCH TO ENSURE THAT ALL FASTENERS ARE TIGHT AND THAT ALL STRUCTURAL COMPONENTS ARE SOUND.**

Curt Manufacturing Inc., warrants this product to be free of defects in material and/or workmanship at the time of retail purchase by the original purchaser. If the product is found to be defective, Curt Manufacturing Inc., may repair or replace the product, at their option, when the product is returned, prepaid, with proof of purchase. Alteration to, misuse of, or improper installation of this product voids the warranty. Curt Manufacturing Inc.'s liability is limited to repair or replacement of products found to be defective, and specifically excludes liability for incidental or consequential loss or damage.

367239