

YEARS: 2011-CURRENT

MAKE: JEEP

MODEL: PATRIOT & COMPASS

STYLE: SUV

WARNING: NEVER EXCEED YOUR VEHICLE MANUFACTURER'S RECOMMENDED TOWING CAPACITY

WEIGHT CARRYING:
 TRAILER WEIGHT: 4,000 LBS.
 TONGUE WEIGHT: 400 LBS.

WARNING:
 WE RECOMMEND THE USE OF 18050 STABILIZING STRAPS FOR ALL NON-TRAILER (WHEEL-LESS) LOADS. PLEASE SEE THE CURT CATALOG OR VISIT US ONLINE AT WWW.CURTMFG.COM FOR FURTHER INFORMATION.

INSTALLATION TIME: 30 MIN.

THE INSTALL TIME LISTED IS FOR PROFESSIONAL INSTALLERS. IF YOU ARE HESITANT TO UNDERTAKE THIS TASK ON YOUR OWN, CONTACT AN AUTHORIZED CURT INSTALLER FOR ADDITIONAL ASSISTANCE.

INSTALLATION TIPS:

- BEFORE YOU BEGIN INSTALLATION, READ ALL INSTRUCTIONS THOROUGHLY.
- TO EASE INSTALLATION, 2 PEOPLE MAY BE REQUIRED.
- USING PROPER TOOLS WILL GREATLY IMPROVE THE QUALITY OF THE INSTALL AND REDUCE THE TIME REQUIRED.
- NEED HELP OR HAVE SOME QUESTIONS? CALL TECHNICAL SUPPORT AT 800.798.0813

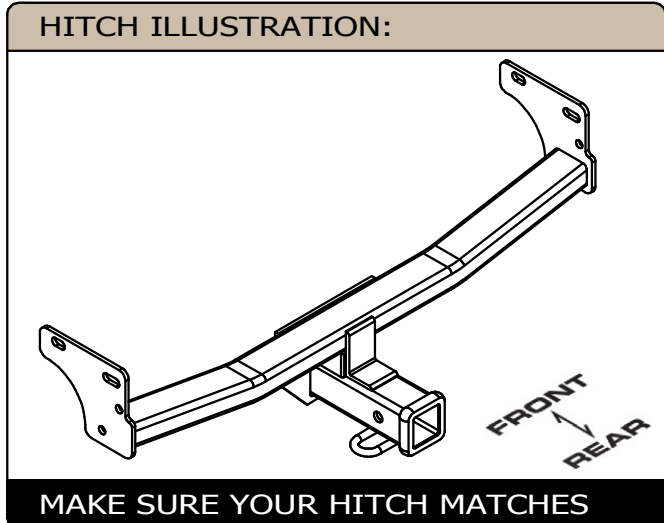


INSTALLATION REQUIRES:

RATCHET	5/8" 3/4" 7mm 11mm SOCKET	DIE GRINDER
TAPE MEASURE	MARKER	TORQUE WRENCH
SAFETY GLASSES	ROTARY TOOL	MASKING TAPE

LEVEL OF DIFFICULTY: CHALLENGING

EASY	MODERATE	CHALLENGING
	LOWER EXHAUST BY REMOVING (3) RUBBER ISOLATORS	
	FASCIA TRIMMING REQUIRED	
	FISHWIRE HARDWARE	



PERIODICALLY CHECK THIS RECEIVER HITCH TO ENSURE ALL FASTENERS ARE TIGHT AND ALL STRUCTURAL COMPONENTS ARE SOUND

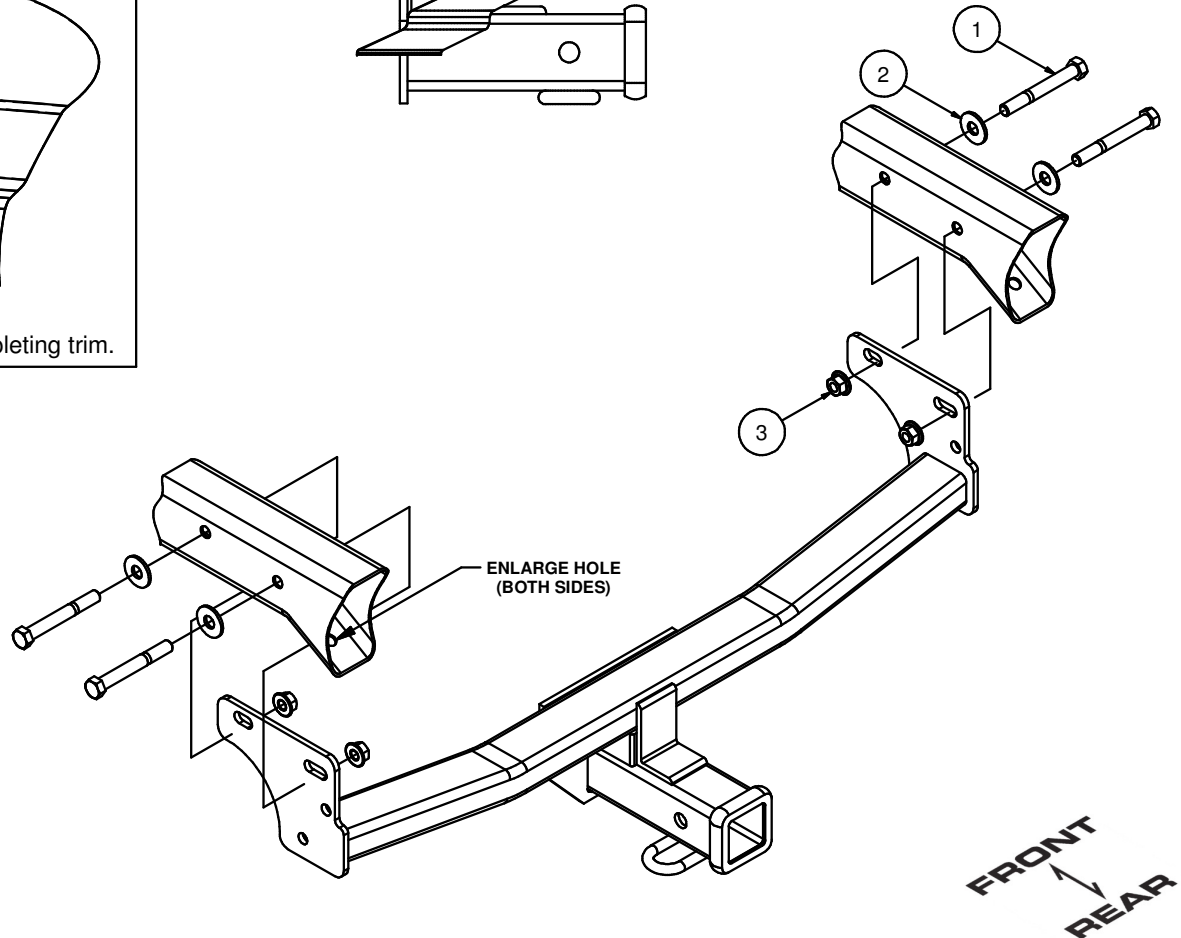
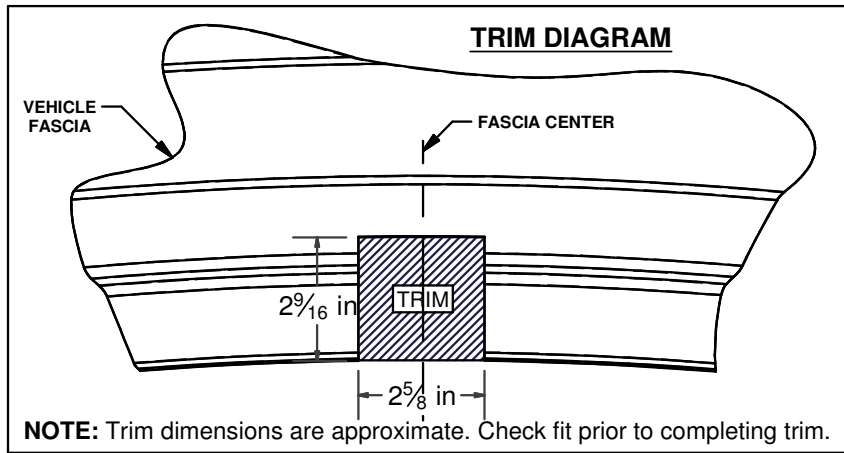
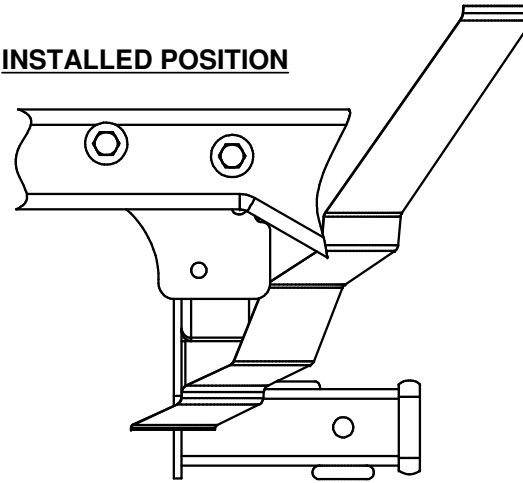
CURT Manufacturing LLC. warrants this product to be free of defects in material and/or workmanship at the time of retail purchase by the original purchaser. If the product is found to be defective, Curt Manufacturing LLC. may repair or replace the product at their option, when the product is returned, prepaid, with proof of purchase. Alteration to, misuse of, or improper installation of this product voids the warranty. Curt Manufacturing LLC.'s liability is limited to repair or replacement of products found to be defective, and specifically excludes liability for incidental or consequential loss or damage.

For more information log onto www.curtmfg.com, & for helpful towing tips log onto www.hitchinfo.com

INSTALLATION WALKTHROUGH:

Parts List			
ITEM	QTY	PART NUMBER	DESCRIPTION
1	4	1_2 - 13 x 4	HEX BOLT
2	4	FW12	FW, 12, ZP
3	4	HFN 1213	HEX FLANGE NUT

INSTALLED POSITION

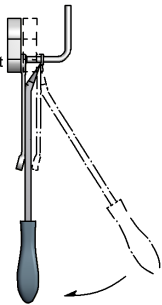


RUBBER ISOLATOR REMOVAL DIAGRAM

This technique can be used if and Exhaust Hanger Removal Pliers is not available.

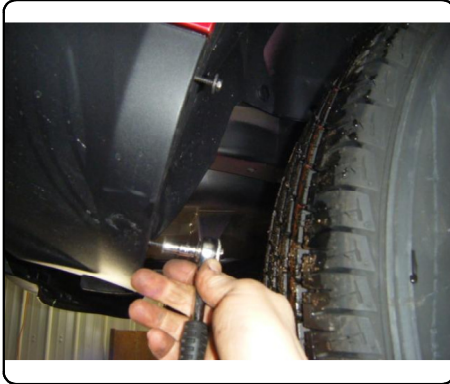
Using a 5/8" open end wrench, slide the wrench up to the rubber isolator, cradling the hanger rod as shown. Next place the flat edge of a pry bar between the wrench and the hanger stop or hanger rod. Then simply rotate the pry bar toward the wrench to remove the rubber isolator.

Note: Using a spray lubricant or soapy water on the hanger rod and the rubber isolator helps removal.

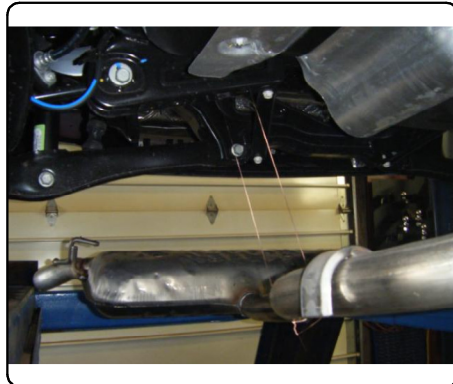
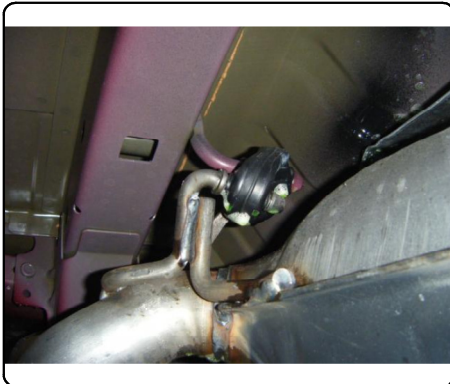


INSTALLATION WALKTHROUGH:

1. Temporarily remove (4) plastic fasteners and (4) hex screws from fascia.



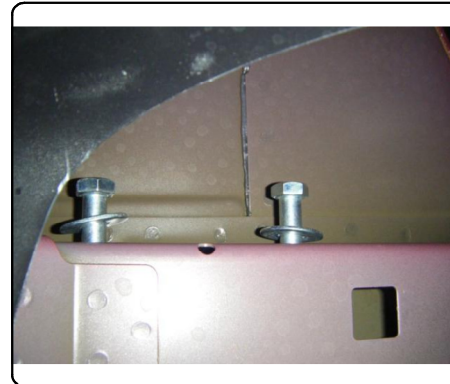
2. Lower exhaust by removing (3) rubber isolators. See RUBBER ISOLATOR REMOVAL DIAGRAM on page 2.
(**Note:** Support exhaust to avoid it possible damage.)



3. Temporarily remove heat shield by removing (4) nuts.
(**Note:** If tow loop is present remove and return to vehicle owner.)



4. Insert 4" hex bolts with washers into the frame rails from the outside. Raise the hitch into position between the frame rails. Push front bolts through mounting plates and loosely install 1/2" flange nuts.

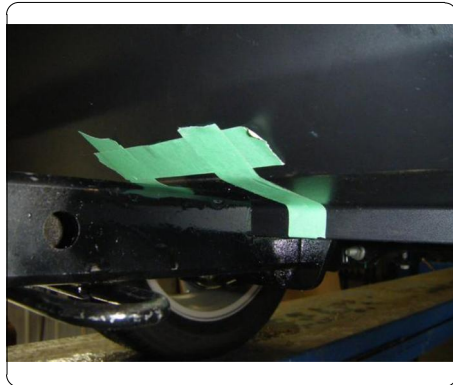
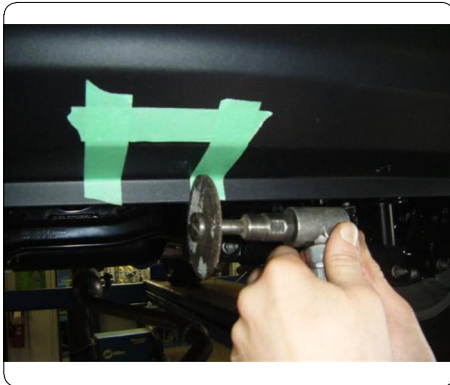


INSTALLATION WALKTHROUGH:

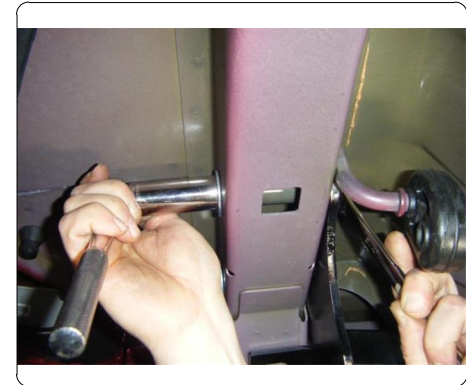
5. Rotate hitch up so that it is touching fascia and mark where to trim.



6. Trim fascia. See TRIM DIAGRAM on page 2.
(**Note:** Check fit prior to completing trim)



7. Push hitch in rearmost position and secure hitch to the frame with (4) flange nuts.
8. Torque all 1/2" fasteners to 110 ft-lbs.



9. Reinstall heat shield, fasteners, and exhaust removed in steps 1 & 2.



GROSS LOAD CAPACITY WHEN USED AS A WEIGHT CARRYING HITCH: 4,000 LBS. TRAILER WEIGHT & 400 LBS. TONGUE WEIGHT.

*****DO NOT EXCEED VEHICLE MANUFACTURER'S RECOMMENDED TOWING CAPACITY.*****

WARNING: ALL NON-TRAILER LOADS APPLIED TO THIS PRODUCT MUST BE SUPPORTED BY 18050 STABILIZING STRAPS.

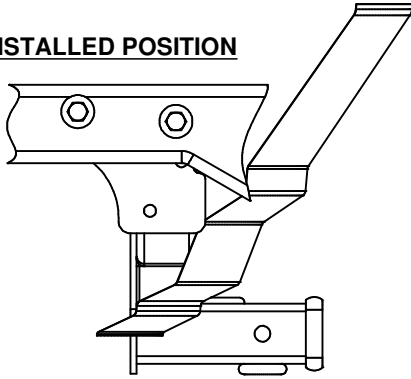
**** FAILURE TO PROPERLY SUPPORT NON-TRAILER LOADS WILL VOID PRODUCT WARRANTY****

HAVING INSTALLATION QUESTIONS? CALL TECHNICAL SUPPORT AT 1-800-798-0813

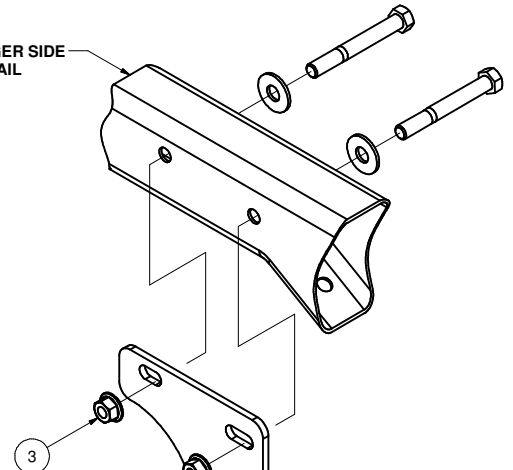
Parts List			
ITEM	QTY	PART NUMBER	DESCRIPTION
1	4	1_2 - 13 x 4	HEX BOLT
2	4	FW12	FW, 12, ZP
3	4	HFN 1213	HEX FLANGE NUT

TOOLS REQUIRED	
RATCHET	
3/4", 7mm & 11mm SOCKETS	
DIE GRINDER	
MARKER	
TAPE MEASURE	
TORQUE WRENCH	

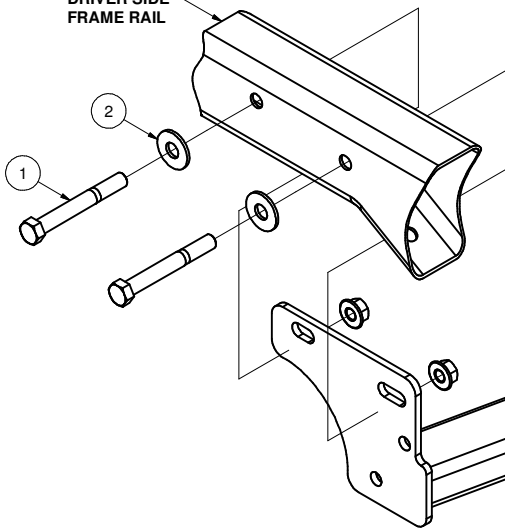
INSTALLED POSITION



PASSENGER SIDE
FRAME RAIL



DRIVER SIDE
FRAME RAIL



FRONT
↑
REAR

HITCH WEIGHT: 28 LBS.

INSTALL TIME

PROFESSIONAL: 30 MINUTES

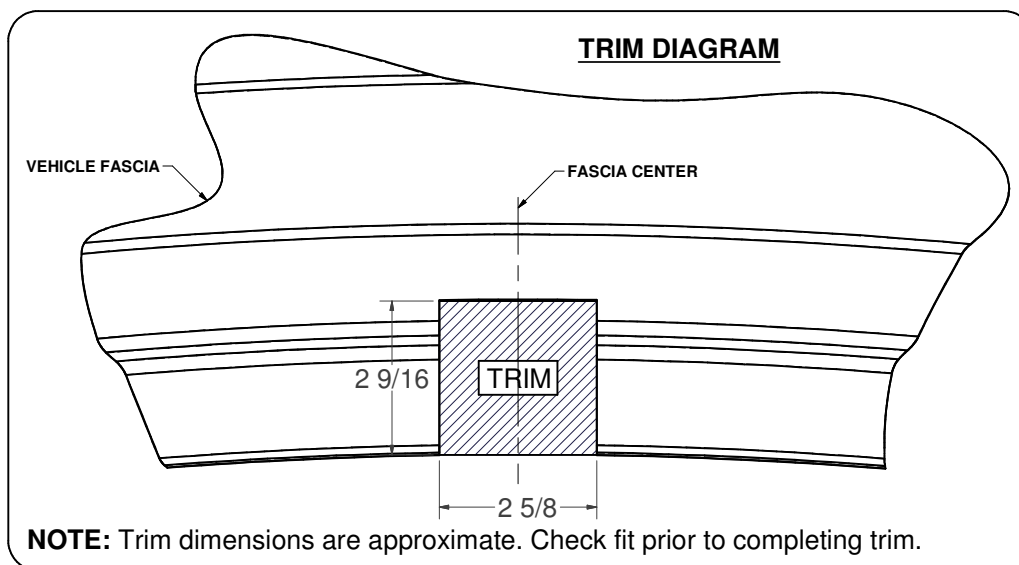
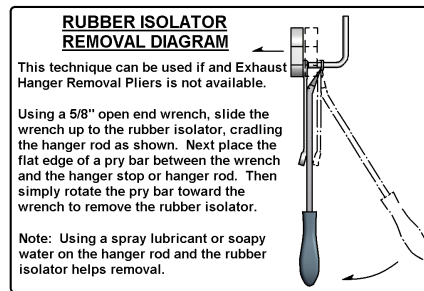
NOVICE (DIY): 60 MINUTES

INSTALL NOTES:

- FASCIA TRIMMING REQUIRED
- FISHWIRE HARDWARE
- LOWER EXHAUST

PERIODICALLY CHECK THIS RECEIVER HITCH TO ENSURE THAT ALL FASTENERS ARE TIGHT AND THAT ALL STRUCTURAL COMPONENTS ARE SOUND.

Curt Manufacturing Inc., warrants this product to be free of defects in material and/or workmanship at the time of retail purchase by the original purchaser. If the product is found to be defective, Curt Manufacturing Inc., may repair or replace the product, at their option, when the product is returned, prepaid, with proof of purchase. Alteration to, misuse of, or improper installation of this product voids the warranty. Curt Manufacturing Inc.'s liability is limited to repair or replacement of products found to be defective, and specifically excludes liability for incidental or consequential loss or damage.



INSTALLATION STEPS

1. Temporarily remove (4) plastic fasteners and (4) hex screws from fascia.
2. Lower exhaust by removing (3) rubber isolators. See RUBBER ISOLATOR REMOVAL DIAGRAM above. (**Note:** Support exhaust to avoid possible damage.)
3. Temporarily remove heat shield by removing (4) nuts. (**Note:** If tow loop is present remove and return to vehicle owner.)
4. Insert 4" hex bolts with washers into the frame rails from the outside. Raise the hitch into position between the frame rails. Push front bolts through mounting plates and loosely install 1/2" flange nuts.
5. Rotate hitch up so that it is touching fascia and mark where to trim.
6. Trim fascia. See TRIM DIAGRAM above. (**Note:** Check fit prior to completing trim.)
7. Secure hitch to the frame with (4) flange nuts.
8. Torque all 1/2" fasteners to 110 lb-ft.
9. Reinstall heat shield, fasteners, and exhaust removed in steps 1 & 2.

PERIODICALLY CHECK THIS RECEIVER HITCH TO ENSURE THAT ALL FASTENERS ARE TIGHT AND THAT ALL STRUCTURAL COMPONENTS ARE SOUND.