

**13442****TOYOTA SEQUOIA**

10/8/2012

GROSS LOAD CAPACITY WHEN USED AS A WEIGHT CARRYING HITCH: 6,000 LBS. TRAILER WEIGHT & 600 LBS. TONGUE WEIGHT.  
 GROSS LOAD CAPACITY WHEN USED AS A WEIGHT DISTRIBUTION HITCH: 10,000 LBS. TRAILER WEIGHT & 1,000 LBS. TONGUE WEIGHT

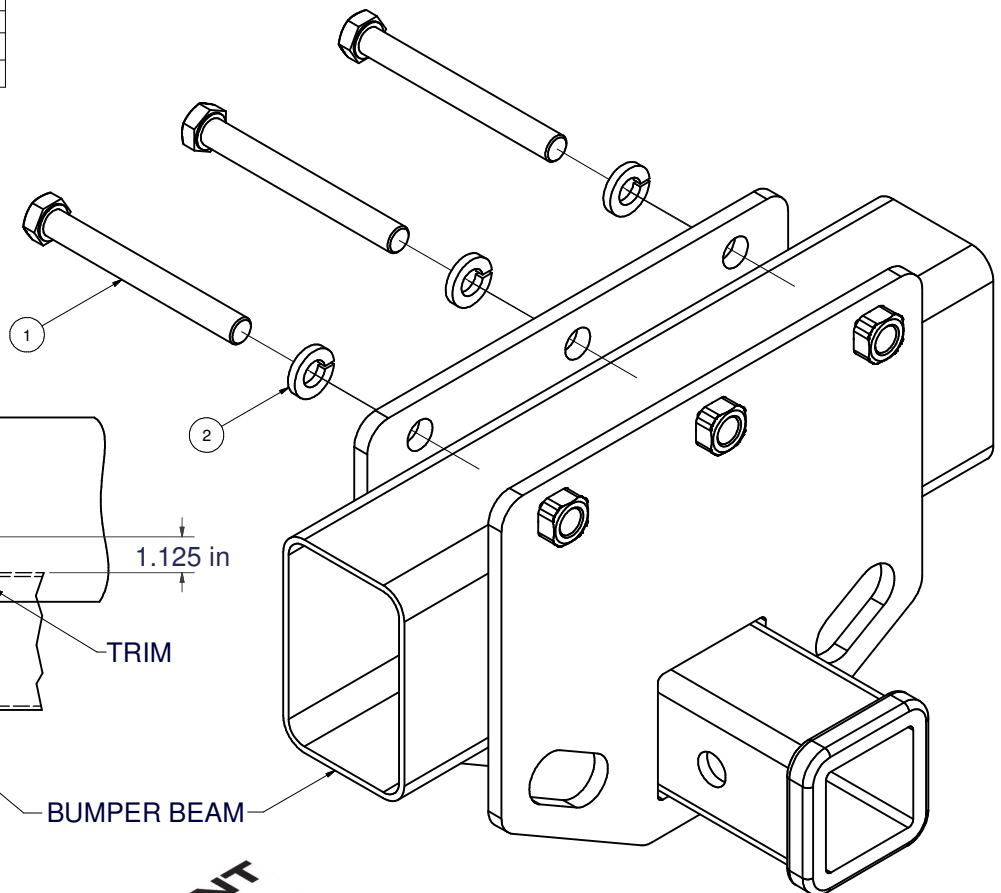
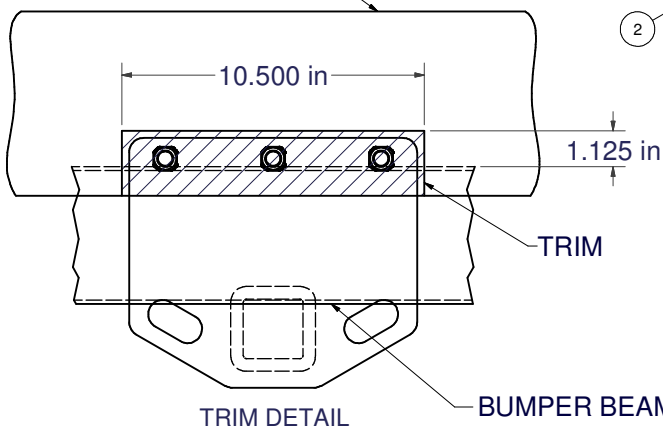
**\*\*\*DO NOT EXCEED VEHICLE MANUFACTURER'S RECOMMENDED TOWING CAPACITY.\*\*\***

HAVING INSTALLATION QUESTIONS? CALL TECHNICAL SUPPORT AT 1-800-798-0813

Parts List			
ITEM	QTY	PART NUMBER	DESCRIPTION
1	3	1_2 - 13 x 4 1_2 HEX	HEX BOLT
2	3	1/2"	LOCK WASHER

TOOLS REQUIRED	
3/4 WRENCH	
3/4 SOCKET	
TORQUE WRENCH	
1/2" DRILL BIT	
DRILL	
UTILITY KNIFE	

RIGID FOAM  
FASCIA SUPPORT



FRONT  
↑  
REAR

HITCH WEIGHT: 19 LBS.

INSTALL TIME

PROFESSIONAL: 45 MINUTES

NOVICE (DIY): 90 MINUTES

INSTALL NOTES:

- FOAM TRIMMING REQUIRED
- LOWER SPARE TIRE

## INSTALLATION STEPS

**Note:** For ease of installation you may remove the bumper cover.

1. Lower the spare tire.
2. Trim the rigid foam fascia support on both sides of the bumper beam (front and back) to clear the hitch brackets. (See Trim Detail)
3. Raise the hitch into position and center it on the vehicle. Using the hitch as a template mark the hole locations on the foam fascia support.
4. Lower the hitch and use a 1/2" drill bit to drill holes in the foam to allow the 1/2-13 bolts to pass over the top of the bumper beam.
5. Raise hitch back into position. Secure with the supplied 1/2" bolts and lock washers.
6. Torque all 1/2" fasteners to 110 lb-ft.
7. Raise spare tire back into position.

**PERIODICALLY CHECK THIS RECEIVER HITCH TO ENSURE THAT ALL FASTENERS ARE TIGHT AND THAT ALL STRUCTURAL COMPONENTS ARE SOUND.**

Curt Manufacturing Inc., warrants this product to be free of defects in material and/or workmanship at the time of retail purchase by the original purchaser. If the product is found to be defective, Curt Manufacturing Inc., may repair or replace the product, at their option, when the product is returned, prepaid, with proof of purchase. Alteration to, misuse of, or improper installation of this product voids the warranty. Curt Manufacturing Inc.'s liability is limited to repair or replacement of products found to be defective, and specifically excludes liability for incidental or consequential loss or damage.