

INSTALLATION MANUAL

16993

Level of Difficulty

Easy

Parts List

Item	Qty	Description
1	2	Universal shim
2	4	Hex bolt, M14 x 2 x 50mm
3	4	Hex bolt, M14 x 2 x 85mm

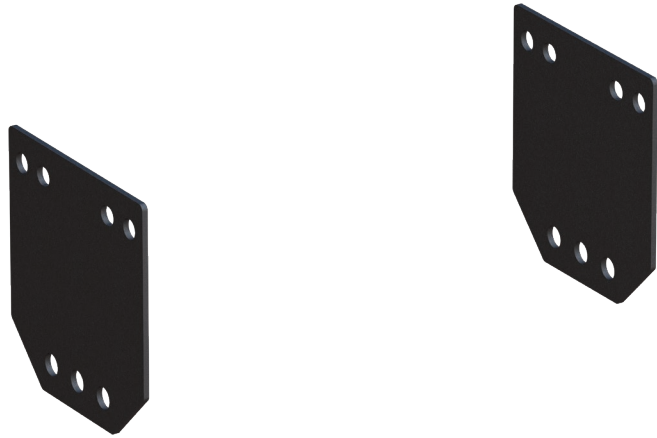
Tools Required

Torque wrench	Socket, 22mm
Wrench, 22mm	Safety glasses

Torque Specifications

M14 bolt	100 ft-lbs.
Use above torque setting unless otherwise noted	

Product Photo



NOTICE

Before you begin installation, read all instructions thoroughly.

Proper tools will improve the quality of installation and reduce the time required.

To help prevent damage to the product or vehicle, refer to the specified torque specifications when securing hardware during the installation process.

Maintenance

Refer to maintenance instructions provided with your 5th wheel.

Product Registration and Warranty

CURT Group stands behind our products with industry-leading warranties.

Provide feedback and help us to improve our products by registering your purchase at: warranty.curtgroup.com/surveys

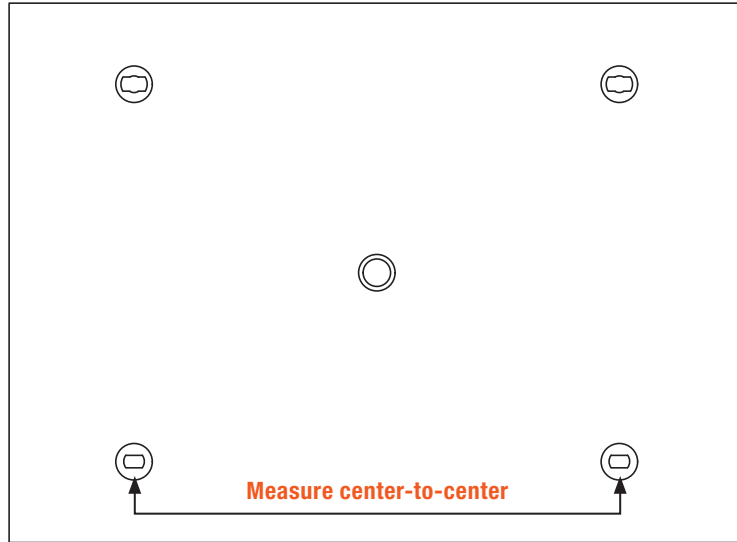
Step 1

Measure the center to center distance between the pucks in the truck bed. If less than 991mm, the shim kit is not needed.

Using this measurement, determine the number of shims required from the table below.

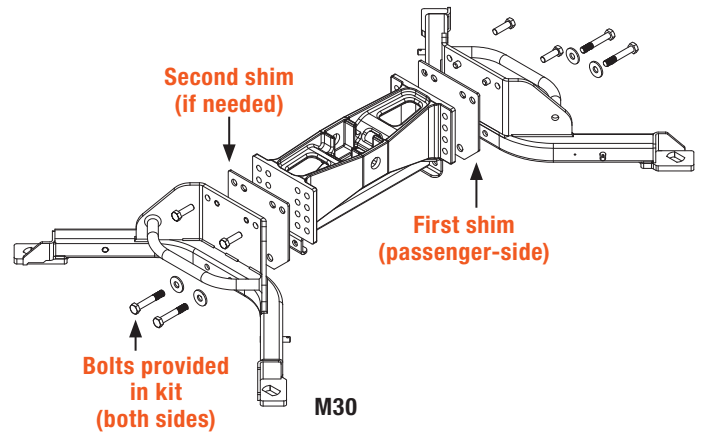
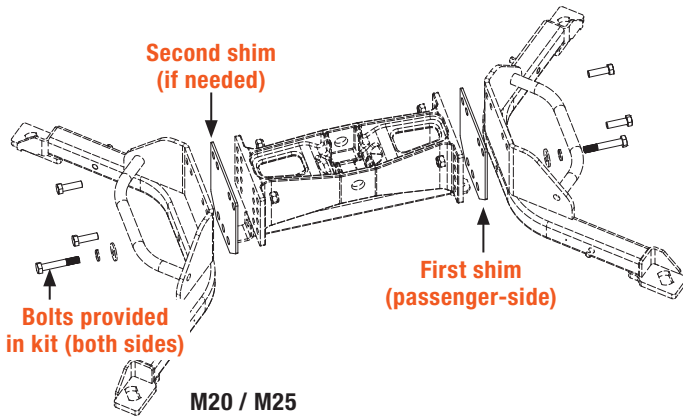
Measured Puck Width

+1 shim	39-1/16" (992mm) to 39-1/4" (996mm)
+2 shims	39-1/4" (997mm) to 39-7/16" (1001mm)



Step 2

Install the shim(s) between the 5th wheel head and leg(s), using the bolts provided in the shim kit.



Step 3

Continue following the instructions provided with the original 5th wheel assemblies.

