

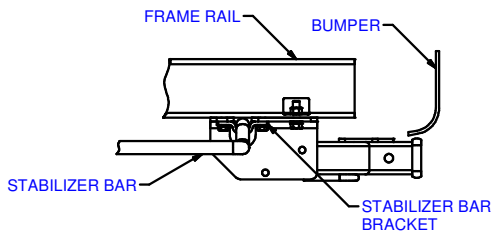
**31016****1996-2002 CHEVROLET EXPRESS & GMC SAVANA  
2003 CHEVROLET EXPRESS & GMC SAVANA WITH RV CUTAWAY ONLY**

11/19/2012

**GROSS LOAD CAPACITY WHEN USED AS A WEIGHT CARRYING HITCH: 5,000 LBS. TRAILER WEIGHT & 500 LBS. TONGUE WEIGHT.**  
**GROSS LOAD CAPACITY WHEN USED AS A STRAIGHT LINE PULL: 9,000 LBS. MAX. LINE PULL.**  
**\*\*\* DO NOT EXCEED VEHICLE MANUFACTURER'S RECOMMENDED TOWING CAPACITY. \*\*\***  
**HAVING INSTALLATION QUESTIONS? CALL TECHNICAL SUPPORT AT 1-800-798-0813**

Parts List			
ITEM	QTY	PART NUMBER	DESCRIPTION
1	4	M10 - 1.5 x 35mm	HEX TAP BOLT
2	4	7/16 LOCK WASHER	HELICAL LOCK WASHER
3	2	1/2-13 x 1 3/4	HEX BOLT
4	2	1/2"	LOCK WASHER
5	2	1/2-13	HANDLE NUT

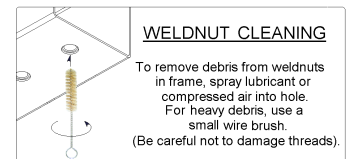
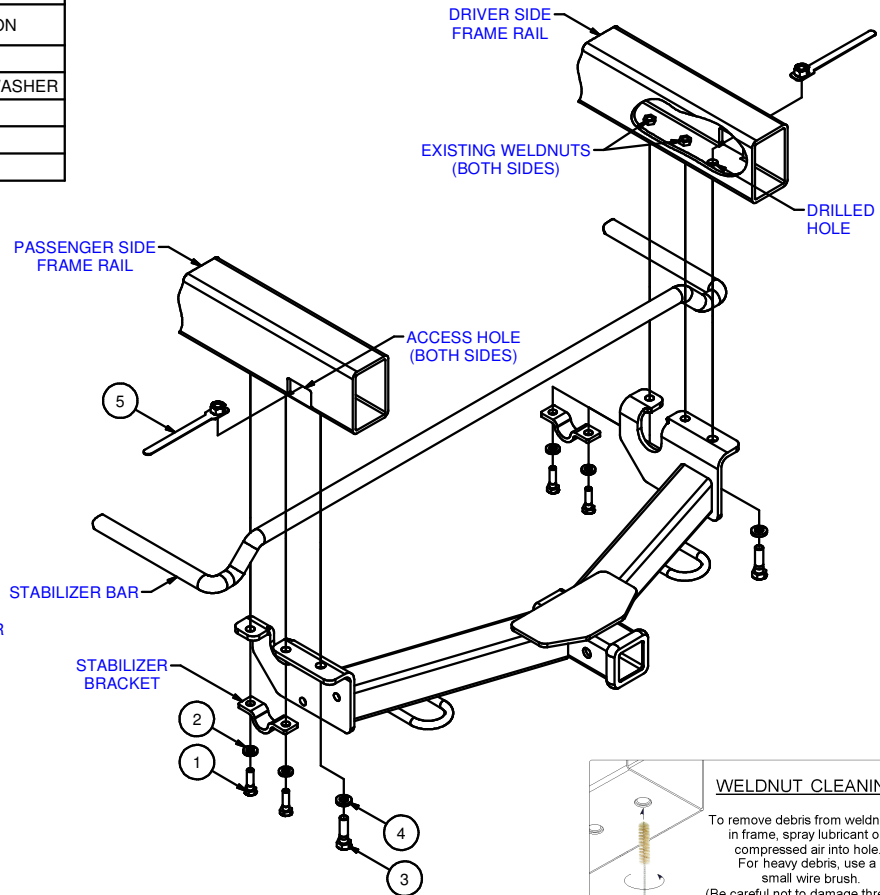
TOOLS REQUIRED
DRILL
17/32" DRILL BIT
TORQUE WRENCH
RATCHET
3/4" SOCKET
17mm SOCKET



INSTALLED HITCH POSITION

HITCH WEIGHT: 33 LBS.  
 INSTALL TIME: 35 MINUTES  
 INSTALL NOTES:

- DRILLING REQUIRED
- LICENSE PLATE REPOSITIONING
- FASCIA TRIMMING

**INSTALLATION STEPS**

**NOTE:** If front mounted license plate is present, repositioning is necessary.

1. Remove stabilizer bar fasteners and brackets allowing stabilizer bar to swing free. Return fasteners to owner.
2. Remove lower fascia and license plate mounting bracket (if existing).
3. Raise hitch, stabilizer bar and stabilizer bar brackets into position.
4. Install 10mm hex bolts and 7/16" lock washers through the stabilizer bar brackets, hitch side brackets, and into existing weldnuts as shown.
5. Using hitch as a template drill a 17/32" hole in the driver side frame rail as shown.
6. Install 1/2"-13 x 1 3/4" hex bolts and 1/2" lock washers through the forward most holes of hitch and secure with 1/2"-13 handle nuts through the access holes in the frames.
7. If desired, trim and reinstall lower fascia. CONSULT VEHICLE OWNER BEFORE TRIMMING.
8. Torque all 10mm hardware to 45 ft-lbs and 1/2" hardware to 110 ft-lbs.

**PERIODICALLY CHECK THIS RECEIVER HITCH TO ENSURE THAT ALL FASTENERS ARE TIGHT AND THAT ALL STRUCTURAL COMPONENTS ARE SOUND.**

Curt Manufacturing Inc., warrants this product to be free of defects in material and/or workmanship at the time of retail purchase by the original purchaser. If the product is found to be defective, Curt Manufacturing Inc., may repair or replace the product, at their option, when the product is returned, prepaid, with proof of purchase. Alteration to, misuse of, or improper installation of this product voids the warranty. Curt Manufacturing Inc.'s liability is limited to repair or replacement of products found to be defective, and specifically excludes liability for incidental or consequential loss or damage.

\*\*\***DO NOT EXCEED VEHICLE MANUFACTURER'S RECOMMENDED TOWING CAPACITY**\*\*\*.

#### FRONT MOUNTED ACCESSORIES

1) Do not exceed front axle Gross Weight Rating (GAWR). Consult owners manual or specification plate located on driver's door frame. Measure gross front axle weight by placing front wheels of loaded vehicle on a scale.

**WARNING:** Exceeding GAWR may overload the front axle and/or suspension. This could result in **accident, property damage and personal injury.**

- 2) Reposition front mounted license plate if obstructed.
- 3) Do not obstruct vehicle lights.
- 4) Allow free air flow into grille opening.
- 5) Rear wheel traction may be reduced. This could effect handling. Reduce speed and drive with caution.
- 6) Accessories extend front of vehicle. This may reduce approach angle. Use caution when parking and maneuvering.
- 7) Do not obstruct driver view.

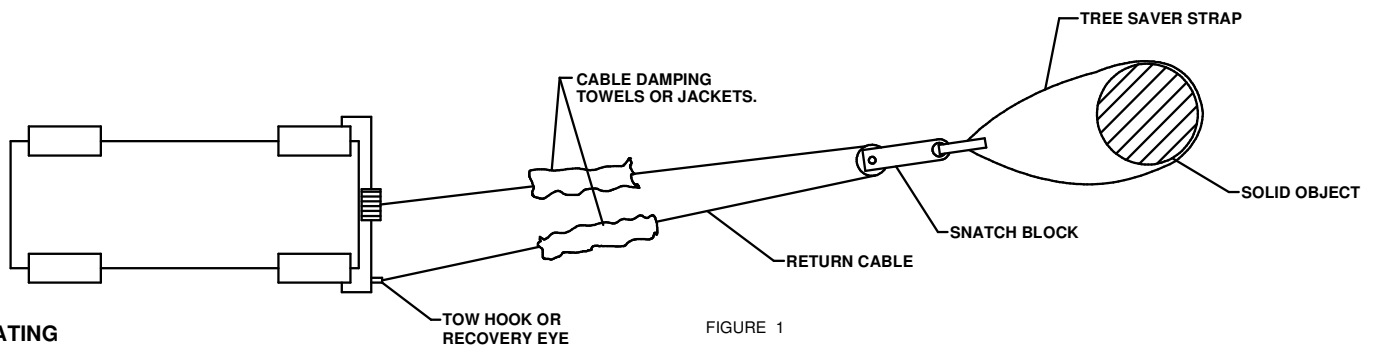
#### VEHICLE RECOVERY AND WINCHING TIPS

1) Use OEM tow hooks, recovery eyes or a clevis mount for attachment of a tow strap or winch cable.

**WARNING: NEVER** use a ball and/or ball mount as an anchor point for tow strap or winch cable. Severe personal injury or death could result.

- 2) Observe winch manufacturer's recommendations, cautions and warnings.
- 3) Attach return cable to tow hook or recovery eye when using a snatch block (See figure 1).

**CAUTION:** Do not attach return cable to winch mount. This may overload winch mount and/or front mounted receiver.



#### RATING

For **Maximum** line pull rating, winch cable must not exceed:

- 15 degree angle up or down from horizontal (See Figure 2).
- 45 degree angle left or right from straight ahead (See Figure 3).

**CAUTION:** Exceeding the maximum line pull rating may over load winch, winch mount, and/or front mounted receiver.

