

**31374****DODGE RAM 1500 (FOUR WHEEL DRIVE)**

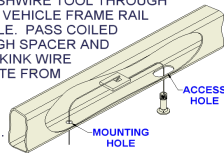
2/24/2010

**GROSS LOAD CAPACITY WHEN USED AS A WEIGHT CARRYING HITCH: 5,000 LBS. TRAILER WEIGHT & 500 LBS. TONGUE WEIGHT.****GROSS LOAD CAPACITY WHEN USED AS A STRAIGHT LINE PULL: 9,000 LBS. MAX. LINE PULL.****\*\*\* DO NOT EXCEED VEHICLE MANUFACTURER'S RECOMMENDED TOWING CAPACITY. \*\*\*****HAVING INSTALLATION QUESTIONS? CALL TECHNICAL SUPPORT AT 1-800-798-0813**

Parts List			
ITEM	QTY	PART NUMBER	DESCRIPTION
1	2	1/2"	CONICAL TOOTHED WASHER
2	2	M12 - 1.50 x 40 HEX	HEX BOLT
3	2	HFN 1213	HEX FLANGE NUT
4	2	CM-SP6	.250 x 1.00 x 3.00" SQUARE HOLE SPACER
5	2	1/2-13 x 1 1/2	CARRIAGE BOLT
6	2	1_2 FISHWIRE	1/2" FISHWIRE

**FISHWIRE TECHNIQUE**

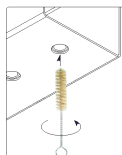
INSERT COILED END OF FISHWIRE TOOL THROUGH HITCH MOUNTING HOLE IN VEHICLE FRAME RAIL AND OUT THE ACCESS HOLE. PASS COILED END OF FISHWIRE THROUGH SPACER AND THREAD BOLT INTO COIL. KINK WIRE TO KEEP SPACER SEPERATE FROM BOLT AS SHOWN. PULL FISHWIRE, SPACER, AND BOLT THROUGH FRAME AND OUT MOUNTING HOLE. USE FISHWIRE TO GUIDE HITCH DURING MOUNTING AND PREVENT LOSS OF BOLT / SPACER INSIDE FRAME RAIL.



\*\*NOTE: SOME VEHICLES MAY FISHWIRE THROUGH END OF FRAME\*\*

**WELDNUT CLEANING**

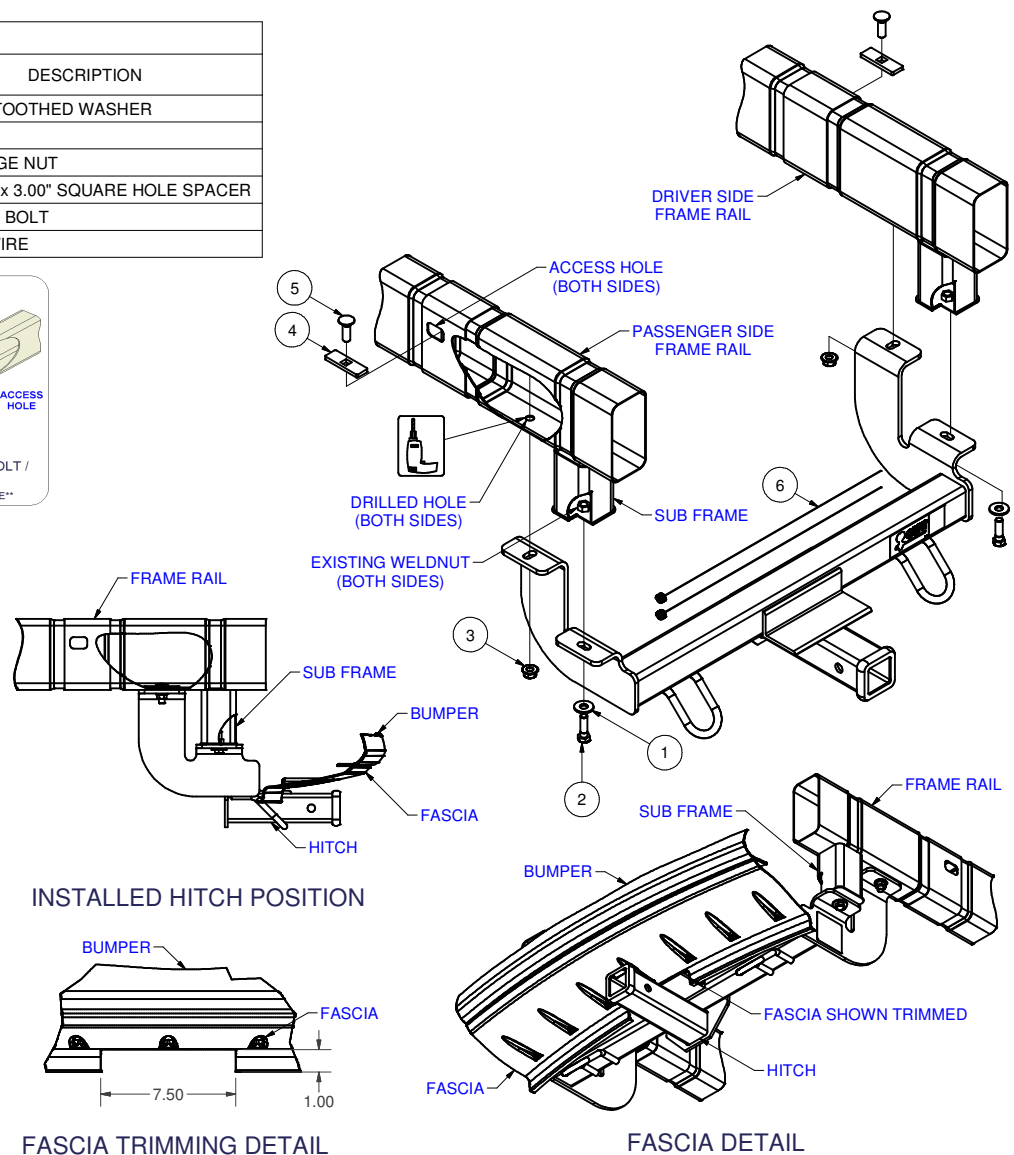
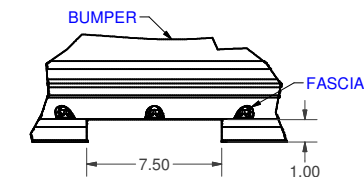
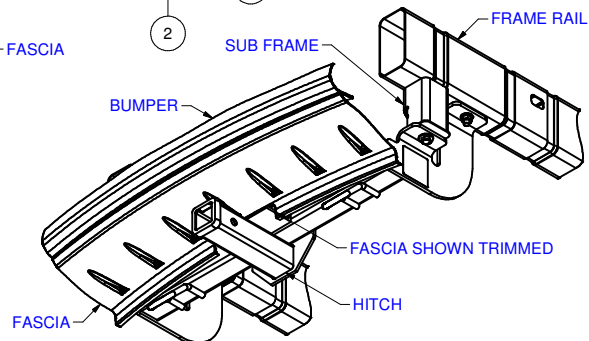
To remove debris from weldnuts in frame, spray lubricant or compressed air into hole. For heavy debris, use a small wire brush. (Be careful not to damage threads).

**TOOLS REQUIRED**

DRILL  
17/32" DRILL BIT  
RATCHET  
EXTENSION  
TORQUE WRENCH  
19mm SOCKET  
3/4" SOCKET

HITCH WEIGHT: 43 LBS.  
INSTALL TIME: 30 MINUTES  
INSTALL NOTES:

- DRILLING REQUIRED
- FASCIA TRIMMING OPTIONAL
- FISHWIRE HARDWARE

**INSTALLED HITCH POSITION****FASCIA TRIMMING DETAIL****FASCIA DETAIL****INSTALLATION STEPS****NOTE:** Fascia trimming optional, fascia will flex with installation of hitch, consult owner. (See fascia detail.)

1. Remove tow loops if present and return to owner.
2. Align holes in hitch with the existing weldnuts in subframe and secure with 12mm hex bolts and 1/2" conical toothed washers as shown.
3. Using hitch as a template drill a 17/32" hole through the frame rails both sides.
4. Fishwire 1/2" carriage bolts and SP6 spacers through the access holes in the frame rails and into the holes drilled in Step (2). (See fishwire technique.)
5. Secure 1/2" carriage bolts with 1/2" flange nuts.
6. Torque all 1/2" hardware to 75 ft-lbs and all 12mm hardware to 63 ft-lbs.

**PERIODICALLY CHECK THIS RECEIVER HITCH TO ENSURE THAT ALL FASTENERS ARE TIGHT AND THAT ALL STRUCTURAL COMPONENTS ARE SOUND.**

Curt Manufacturing Inc., warrants this product to be free of defects in material and/or workmanship at the time of retail purchase by the original purchaser. If the product is found to be defective, Curt Manufacturing Inc., may repair or replace the product, at their option, when the product is returned, prepaid, with proof of purchase. Alteration to, misuse of, or improper installation of this product voids the warranty. Curt Manufacturing Inc.'s liability is limited to repair or replacement of products found to be defective, and specifically excludes liability for incidental or consequential loss or damage.

\*\*\***DO NOT EXCEED VEHICLE MANUFACTURER'S RECOMMENDED TOWING CAPACITY**\*\*\*.

### FRONT MOUNTED ACCESSORIES

1) Do not exceed front axle Gross Weight Rating (GAWR). Consult owners manual or specification plate located on driver's door frame. Measure gross front axle weight by placing front wheels of loaded vehicle on a scale.

**WARNING:** Exceeding GAWR may overload the front axle and/or suspension. This could result in **accident, property damage and personal injury.**

- 2) Reposition front mounted license plate if obstructed.
- 3) Do not obstruct vehicle lights.
- 4) Allow free air flow into grille opening.
- 5) Rear wheel traction may be reduced. This could effect handling. Reduce speed and drive with caution.
- 6) Accessories extend front of vehicle. This may reduce approach angle. Use caution when parking and maneuvering.
- 7) Do not obstruct driver view.

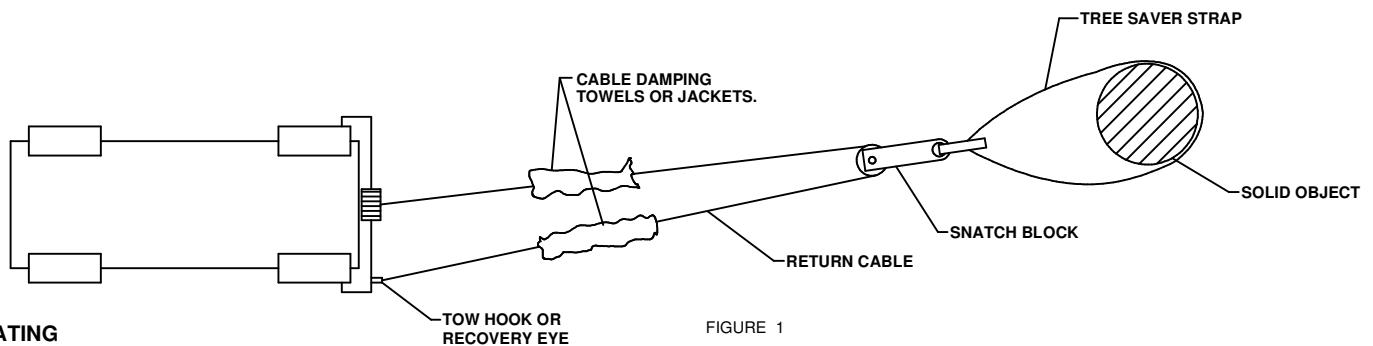
### VEHICLE RECOVERY AND WINCHING TIPS

1) Use OEM tow hooks, recovery eyes or a clevis mount for attachment of a tow strap or winch cable.

**WARNING: NEVER** use a ball and/or ball mount as an anchor point for tow strap or winch cable. Severe personal injury or death could result.

- 2) Observe winch manufacturer's recommendations, cautions and warnings.
- 3) Attach return cable to tow hook or recovery eye when using a snatch block (See figure 1).

**CAUTION:** Do not attach return cable to winch mount. This may overload winch mount and/or front mounted receiver.



### RATING

For **Maximum** line pull rating, winch cable must not exceed:

- 15 degree angle up or down from horizontal (See Figure 2).
- 45 degree angle left or right from straight ahead (See Figure 3).

**CAUTION:** Exceeding the maximum line pull rating may over load winch, winch mount, and/or front mounted receiver.

