

INSTALLATION INSTRUCTIONS

PART#4047(B-C-PS)

01-14 SILVERADO 1500, 2500HD, 3500 / SIERRA CREW CAB 4DR

PARTS LIST:

QTY:	(1) HARDWARE KIT 37201:	(2) 3/8" Lock washer
(1) Sidebar set (Driver & Passenger)	(4) 1/2 x 1 1/2" Hex head bolt (6) M12 x 120mm Hex head bolt (10) 1/2" Flat washer	
(2) Front mounting brackets	(10) 1/2" Lock washer	
(2) Rear mounting brackets	(2) 3/8 x 1 1/4" Hex head bolt	
(2) Central mounting brackets	(2) 3/8" Flat washer	

TOOLS REQUIRED:

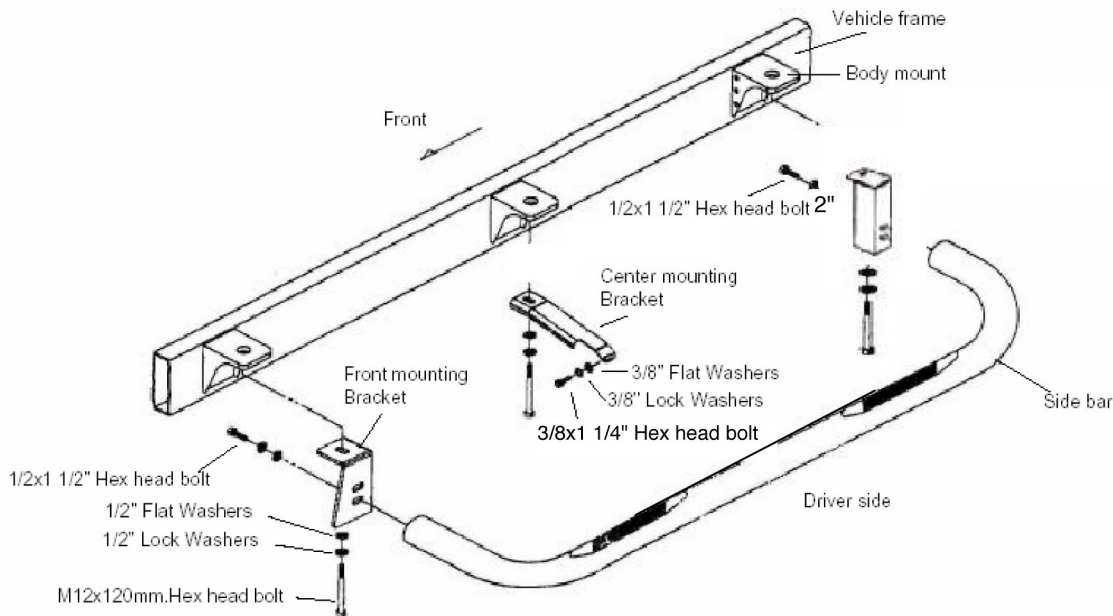
3/4" Socket	19 mm Socket	Extension	Ratchet
18 mm Socket	9/16" Socket	21 mm Socket	

INSTRUCTIONS:

Approximated installation time: 30 min.

1. Read and understand instructions completely before beginning installation.
2. The set of sidebars has a driver and passenger side. The bigger leg on side bar go to the front of vehicle.
3. Remove the original body mount bolt (3 per side) and keep the washers and rubber parts.
4. Put the front, center, and rear bracket with the original washer and rubber part (as in the original position) and use the original bolts. **Note: On models 99 - 04 change the original body mount bolt for the M12 x 120 mm Hex Head Bolt provided and 1/2" Flat and lock washers, on 05-07 models use the original bolts to attach the brackets.** Leave loose.(refer to a illustration).
5. Fit the side bar tube (remember the big leg goes to front) use (4) 1/2 x 2" Hex Head Bolt and 1/2" flat and lock washers. Central brackets attached to the tube using (2) 3/8 x 1 1/4" Hex Head Bolt, with flat and lock washers. Leave loose.
6. Align the side bars and all brackets and make any final adjustment and tighten all bolts (on both sides of vehicle).
7. Check and re-tighten all bolts periodically.

Assembly Diagram:



Cleaning and care instructions:

Design:

Quality:

Protect the finish with a non-abrasive automotive wax, (e.g. Pure Carnauba) on a regular basis. The use of any soap, polish, or wax that contains an abrasive is detrimental to the finish, as the compounds scratch the finish and cause corrosion.