

INSTALLATION INSTRUCTIONS

PART#4411(B-C-PS) 05-13 TOYOTA TACOMA EXTENDED CAB

Parts List:

(1) HARDWARE KIT 37183.

QTY:	T01 (4) 1/2 x 2" hex. head bolts
P01 (1) Sidebar set Driver & Passenger	T02 (8) 1/2" flat washers
P02 (1) Front bracket set Driver & Passenger	T03 (4) 1/2" lock washers
P03 (2) Rear brackets Driver & Passenger	T04 (4) 1/2" lock nuts
P04 (2) Brake line relocators	T05 (2) 1/2 x 3" hex. head bolts
P05 (2) Fixing plates Driver & Passenger	

Tools required:

3/4" socket	Ratchet	Ratchet extension
3/4" wrench	13 mm wrench	

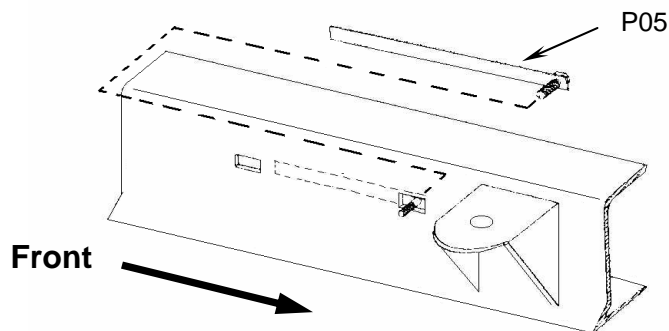
Instructions:

Approximated installation time: 35 min.

1. Before beginning the installations, please read all the instructions thoroughly. If any of the listed hardware is missing, please stop the installation and contact your distributor immediately.
2. Identify the correct sidebar side before installing, the side that has the bent at 90° is the the one that is in the rear part of the vehicle.
3. Install the backing plates as shown in **figure 1**.
5. Install and bolt the rear and front brackets. Do not tighten yet. Look at **figure 2**. **NOTE: For better access to the front mounting base, remove the brake line from the plastic clip. Install when the sidebars are in place and tightened.**
6. Attach the sidebar to the front and rear brackets. Leave loose. **Look at figure 2**.
7. Make any final adjustments and tighten all bolts. Repeat for the opposite side.
8. You may need to retighten all bolts periodically.
9. Fill out included warranty card and place inside the vehicle.

Assembly Diagram:

FIGURE 1



All models in front part (driver / passenger)

Cleaning and care instructions:

Design:

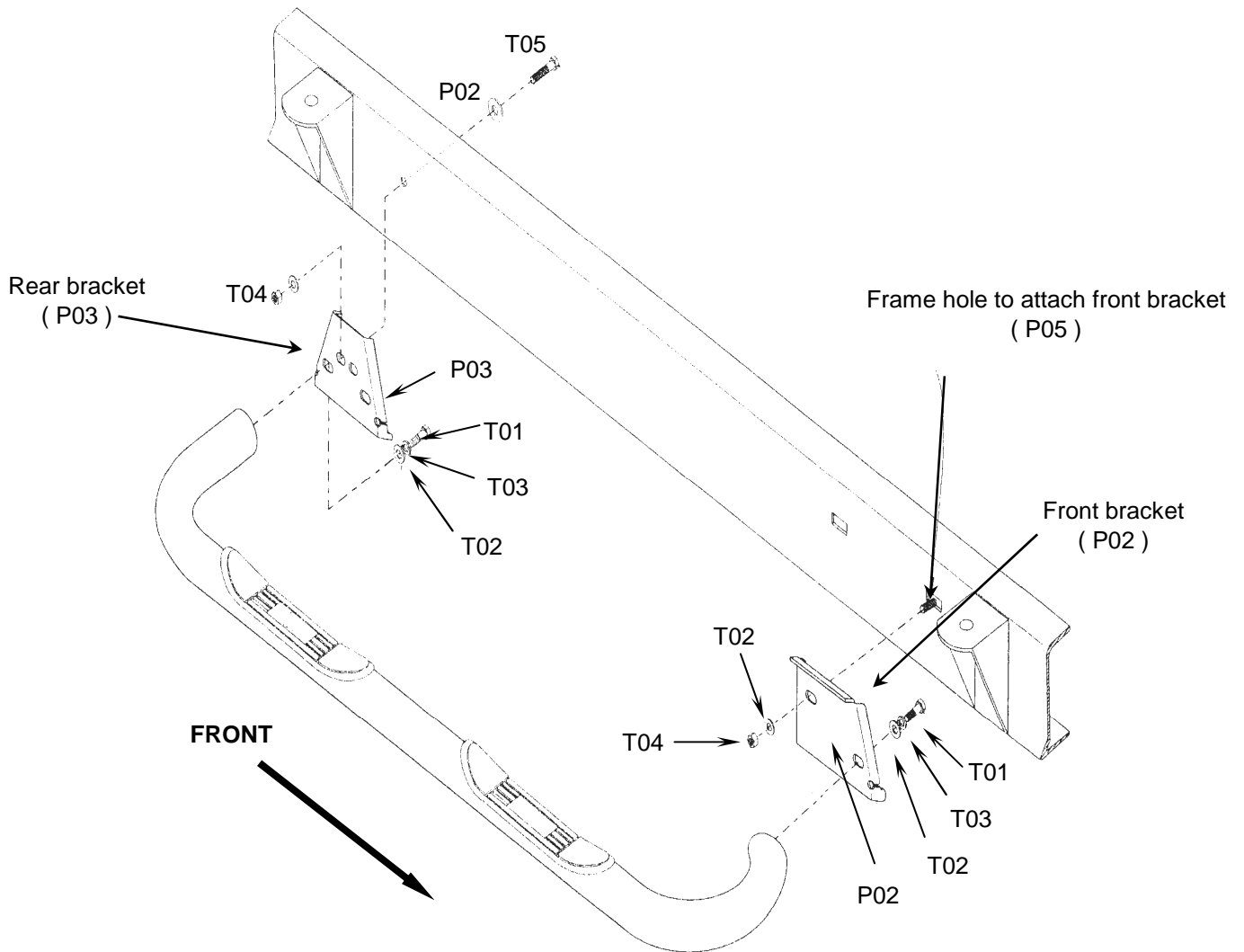
Quality:

Protect the finish with a non-abrasive automotive wax, (e.g. Pure Carnauba) on a regular basis. The use of any soap, polish, or wax that contains an abrasive is detrimental to the finish, as the compounds scratch the finish and cause corrosion.

INSTALLATION INSTRUCTIONS

PART#4411(B-C-PS)

FIGURE 2



Cleaning and care instructions:

Design:

Quality:

Protect the finish with a non-abrasive automotive wax, (e.g. Pure Carnauba) on a regular basis. The use of any soap, polish, or wax that contains an abrasive is detrimental to the finish, as the compounds scratch the finish and cause corrosion.

Checked 12/03/2009