

# INSTALLATION INSTRUCTIONS

## PART#4811(B-C-PS)

### 06-13 HONDA RIDGELINE

<b>Parts List:</b>	(1) Hardware kit including:
<b>QTY</b>	T01 (16) M8 1.25 x 30mm hex head bolt
P01 (2) Side bar set ( Driver & Passenger )	T02 (32) 3/8" lock washer
P02 (4) Front mounting brackets	T03 (32) 3/8" flat washer
P03 (2) Rear mounting brackets	T04 (12) 3/8 x 1 1/4" hex head bolt
P04 (4) Spacer	T05 (4) M8 1.25 x 35mm hex head bolt

#### Tools required:

13mm Socket      Ratchet  
9/16" Socket      Extension to ratchet

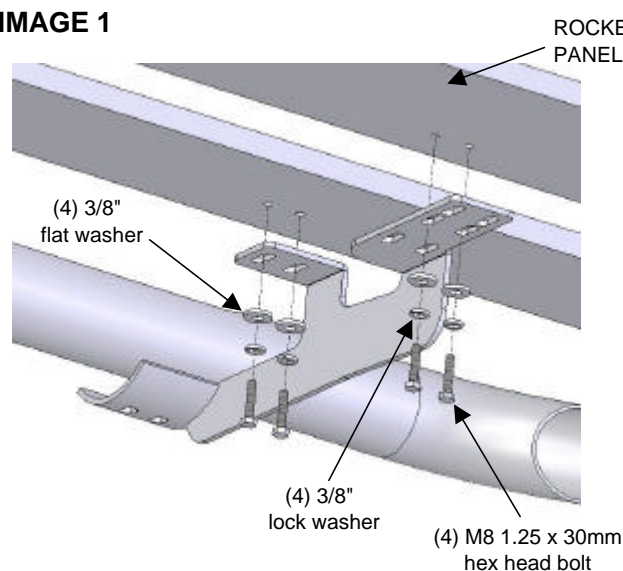
#### Instructions:

**Approximated installation time: 35 min.**

1. Read and understand instructions completely before beginning installation. Also be sure all the mounting brackets & hardware are present and identified BEFORE you begin the installation.
2. Sidebar and brackets set consist of a driver and passenger side. The closest step pad to the bend of sidebar is the front. Front and center brackets are the same for each side.
3. To install front and center brackets locate 4 holes in the rocker panel of the vehicle, place the bracket, and attach using (4) M8 1.25x30mm hex head bolt, (4) flat and lock washer, by each bracket. Leave loose. See image 1.
4. To install rear bracket locate 2 holes in the rocker panel and place the bracket, and attach using (2) M8 1.25x35mm hex head bolt, (2) flat and lock washer. Leave loose. See image 2. **NOTE:** On previous models to 2009 use (2) spacers between the rocker panel and the rear bracket.
5. Place the sidebar up to the mounting brackets and bolt to the mounting brackets using (2) 3/8" x 1 1/4" hex head bolt, (2) 3/8" flat and lock washer. Leave loose. See image 2.
6. Make any final adjustments to the alignment of the sidebar and tighten all bolts. Repeat for the opposite side.
7. You may need to periodically re-tighten the bolts.

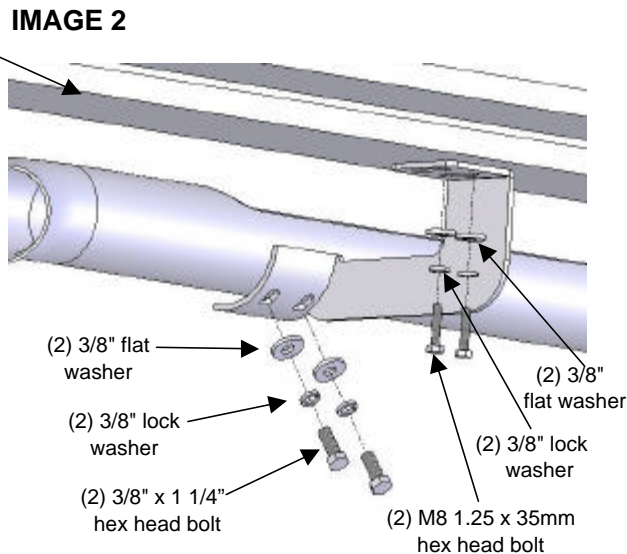
#### Assembly Diagram:

**IMAGE 1**



FRONT AND CENTER BRACKET

**IMAGE 2**



REAR BRACKET

#### Cleaning and care instructions:

Protect the finish with a non-abrasive automotive wax, (e.g. Pure Carnauba) on a regular basis. The use of any soap, polish, or wax that contains an abrasive is detrimental to the finish, as the compounds scratch the finish and cause corrosion.

Diseño:

Calidad:

Revised 14/04/09

G:\Usuarios\Diseño\Instructivos PDF\37\4811-I