

INSTALLATION INSTRUCTIONS

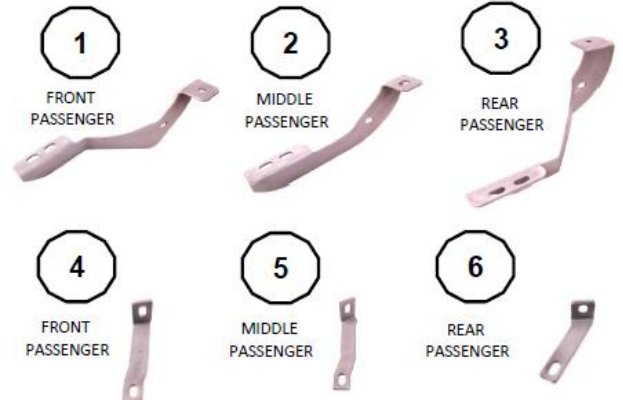
Chevrolet Silverado / GMC Sierra 2500HD, 3500HD Crew Cab (Diesel)
2015

RB10
RUNNING BOARD

63405187T

Parts List

Item	Qty.	Part #	Description	Torque
1	1 Pr	6340514AA	Front Cab Bracket	-
2	1 Pr	6340514BA	Middle Cab Bracket	-
3	1 Pr	6340514CA	Rear Cab Bracket	-
4	1 Pr	393014DA	Front Auxiliary Bracket	-
5	1 Pr	391014FA	Middle Auxiliary Bracket	-
6	1 Pr	391014EA	Rear auxiliary bracket	-
7	6	3713312	5/16" Bolt Plate	-
8	6	630087AA	U-Bracket	-
9	6		5/16" Flat Washer	-
10	6		5/16" Lock Washer	-
11	6		5/16" Hex Nut	11Ft. Lbs.
12	12	(Black Zinc)	5/16" x 1" Hex Bolt	30 Ft. Lbs.
13	12	(Black Zinc)	5/16" Flat Washer	-
14	12	(Black Zinc)	5/16" Lock Washer	-
15	6	(Black Zinc)	3/8" 1" Carriage Bolt	30 Ft. Lbs.
16	6	(Black Zinc)	3/8" Flat Washer	-
17	6	(Black Zinc)	3/8" Lock Washer	-
18	6	(Black Zinc)	3/8" Hex Nut	30 Ft. Lbs.
19	2		1/2" Flat Washer	-
20	1 Pr		RB10 Running Board	-



Tool Required:

1/2", 9/16", & 21mm Socket
1/2" & 9/16" Wrench
Ratchet & Ratchet Extension

Approximate Installation Time: 60 min

Read the installation instructions completely and verify that all of the parts listed are accounted for. If you have defective, missing or damaged parts or need assistance, please contact *Go Rhino Products* for fast, friendly customer service at: 1-888-427-4466 or email: warranty@gorhino.com

WARNING! GM uses thread-locking compound on all factory body mount bolts. Removal using an air assisted impact or ratchet will damage the body mount bolt threads and the internal nut assembly.

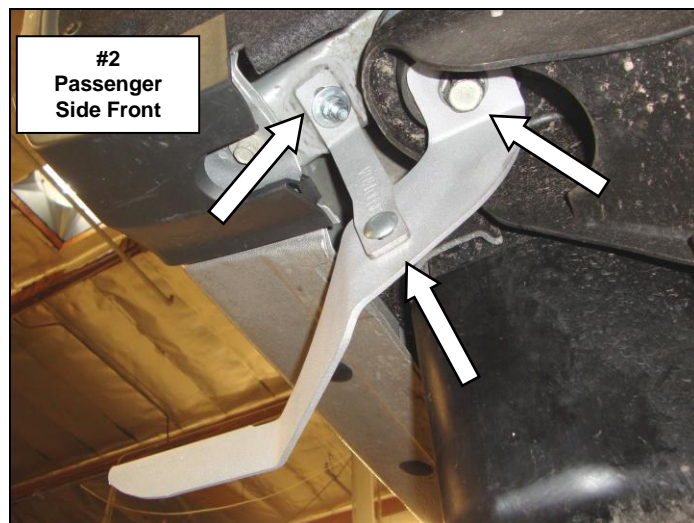
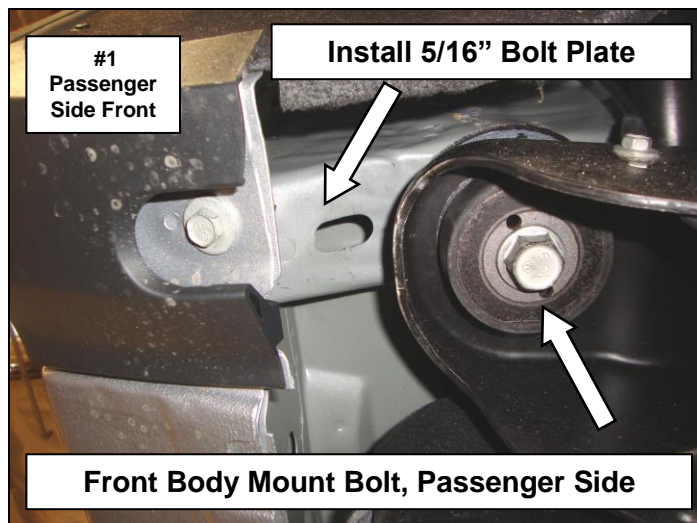
We only recommend using hand tools to slowly remove and reinstall body mount bolts on all GM vehicles.

IMPORTANT! If during the body mount bolt removal process, it becomes increasingly difficult to unscrew the bolt with hand tools, tighten the bolt several rotations to clear the thread-locking compound from the threads, then reverse the direction and continue to unscrew the bolt until it is out. Repeat this process as necessary on all of the body mount bolts. Use of an appropriate anti-seize compound is highly recommended for re-installation. Tighten the body mount bolts to factory torque specifications.

Installation

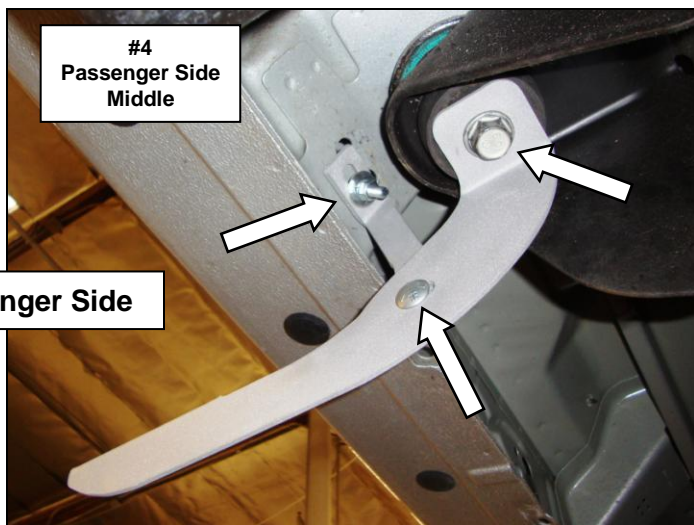
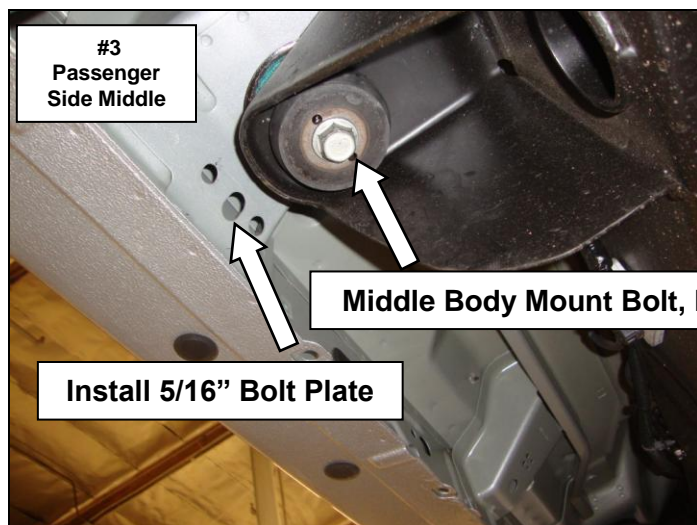
Step-1 Begin the installation by removing the passenger side front body mount bolt. Keep all existing bushing in place, and attach the passenger side front bracket to the vehicle using the factory body mount bolt, (Photo 1 & 2). Leave the body mount bolt loose for final adjustment.

Step-2 Locate the obround hole in the underside of the body and install one of the 5/16" bolt plates. Attach the passenger side front auxiliary bracket to the body using the bolt plate, (1) 5/16" flat washer, (1) 5/16" lock washer and (1) 5/16" hex nut. Attach the opposite end of the auxiliary bracket to the side of the front bracket using (1) 3/8" x 1" carriage bolt, (1) 3/8" flat washer, (1) 3/8" lock washer and (1) 3/8" hex nut, (Photo 1 & 2). Leave the nuts and bolts loose for final adjustment.



Step-3 Remove the passenger side middle body mount bolt. Keep all existing bushing in place, and attach the passenger side middle bracket to the vehicle using the factory body mount bolt, (Photo 3 & 4). Leave the body mount bolt loose for final adjustment.

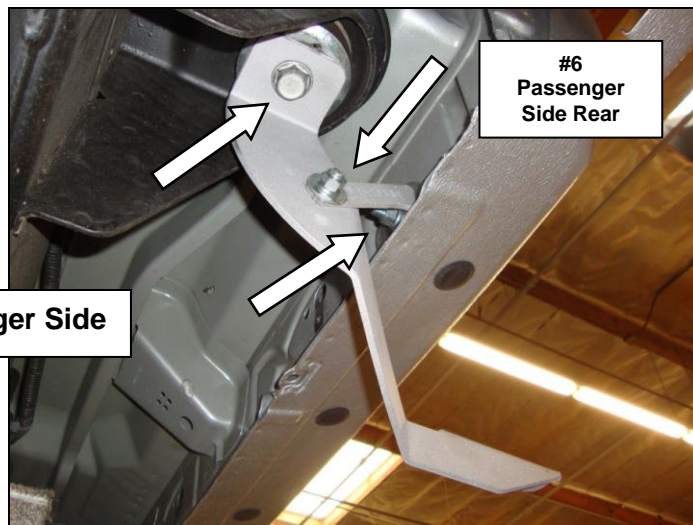
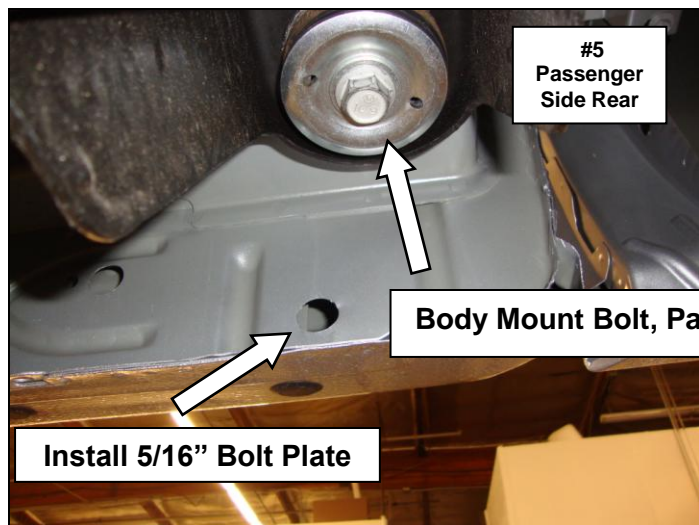
Step-4 Locate the obround hole in the underside of the body and install one of the 5/16" bolt plates. Attach the passenger side middle auxiliary bracket to the body using the bolt plate, (1) 5/16" flat washer, (1) 5/16" lock washer and (1) 5/16" hex nut. Attach the opposite end of the auxiliary bracket to the side of the front bracket using (1) 3/8" x 1" carriage bolt, (1) 3/8" flat washer, (1) 3/8" lock washer and (1) 3/8" hex nut, (Photo 3 & 4). Leave the nuts and bolts loose for final adjustment.



Step-5 Remove the passenger side rear body mount bolt. Keep all existing washer and bushing in place, and attach the passenger side rear bracket to the vehicle using the factory body mount bolt and supplied ½" flat washer, (Photo 5 & 6). Leave the body mount bolt loose for final adjustment.

Note: Position the supplied ½" flat washer between the bracket and the factory body mount washer.

Step-6 Locate and remove the plastic plug in the body rocker panel to expose the round hole and install one of the 5/16" bolt plates. Attach the passenger side rear auxiliary bracket to the body rocker panel using the bolt plate, (1) 5/16" flat washer, (1) 5/16" lock washer and (1) 5/16" hex nut. Attach the opposite end of the auxiliary bracket to the side of the rear bracket using (1) 3/8" x 1" carriage bolt, (1) 3/8" flat washer, (1) 3/8" lock washer and (1) 3/8" hex nut, (Photo 5 & 6). Leave the nuts and bolts loose for final adjustment.



Step-7 Place the passenger side running board on top of the mounting brackets. Position (3) of the U-brackets inside the running board body, and align the U-brackets with the holes in the mounting brackets. Attach the running board to each mounting bracket using the U-bracket, (2) 5/16" hex head bolts, (2) 5/16" flat washers and (2) 5/16" lock washers, (Photo 7).

Step-8 Align the running board with the vehicle and tighten all factory and supplied nuts and bolts securing the running board and bracket assembly, (Photo 8).

Step-9 Repeat the installation steps to install the driver side brackets and running board. Remember to check and retighten all factory and supplied nuts and bolts periodically.

