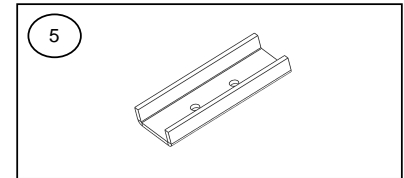
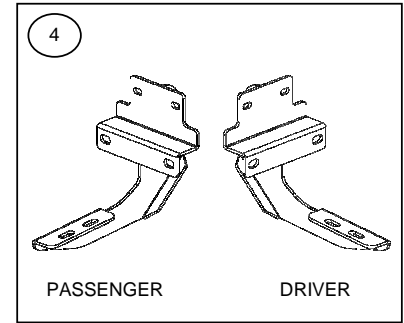


INSTALLATION INSTRUCTIONS
RB10 RUNNING BOARD PART # 63415587T
2015 FORD F-150 SUPER CREW

Do not attempt to install this product on any vehicle other than the one listed above!

PARTS LIST

ITEM	QTY.	PART #	DESCRIPTION	TORQUE
1	1 Piece	630087T	RB10 Running board passenger	-
2	1 Piece	630087T	RB10 Running board driver	-
3	1 Set	BRK-6341555	Hardware brackets kit	-
4	3 Set	6341550AA	Bracket (Driver & Passenger)	-
5	6 Piece	6300874AA	U bracket	-
6	1 Set	KTE-392695	Hardware kit	-
7	12 Piece	-	5/16 x 1" Hex head bolt (black)	11 Lb.ft
8	12 Piece	-	5/16" Flat washer (black)	-
9	12 Piece	-	5/16" Lock washer (black)	-
10	18 Piece	-	M8 P1.25 Hex nut (gray)	20 Lb.ft
11	18 Piece	-	5/16" Flat washer (gray)	-
12	18 Piece	-	5/16" Lock washer (gray)	-



ASSEMBLY & INSTALLATION TOOLS REQUIRED:

1/2" Socket & 1/2" Wrench
 13mm Socket & 13mm Wrench
 Ratchet
 Extension.

Approximate installation time: 40 min.

Read the assembly and installation instructions completely and verify that all of the parts listed are accounted for. If you have defective, missing or damaged parts or need assistance, please contact Go Rhino Products for fast, friendly customer service at: 1-888-427-4466 or email: warranty@gorhino.com

It is the customer's responsibility to protect the finish with a regular application of a nonabrasive polish compatible with the products finish. **NOTE: LOOK THE POSITION BEFORE INSTALLING THE BRACKETS.**

INSTALLATION

Step-1 Locate at the front, middle and rear of the rocker panel the threaded studs as shown in **PICTURES 1 & 2.**

Step-2 Place the bracket on the threaded studs and attach with: (1) 5/16" flat and lock washer (gray), (1) M8 hex nut (gray), by each threaded stud. Look **ILLUSTRATION 1.** Leave loose. Repeat for each bracket.

PICTURE 1.

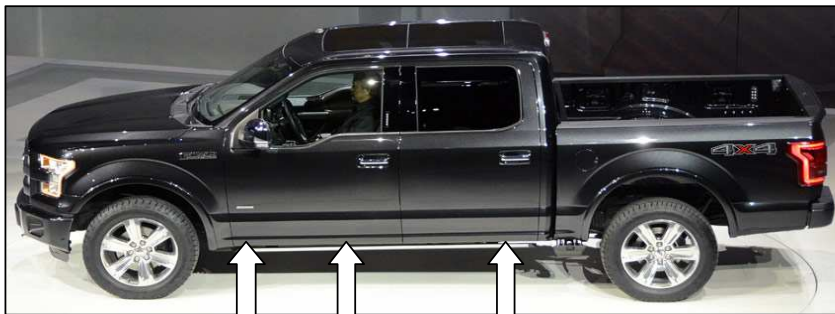
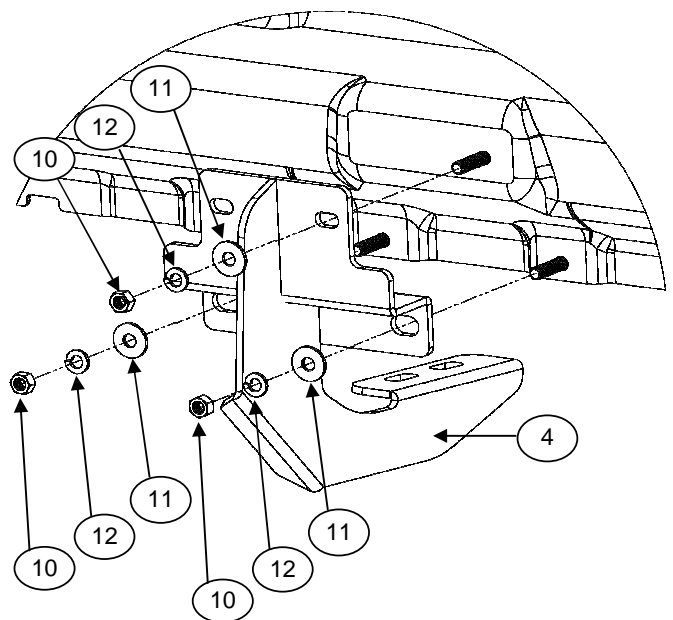
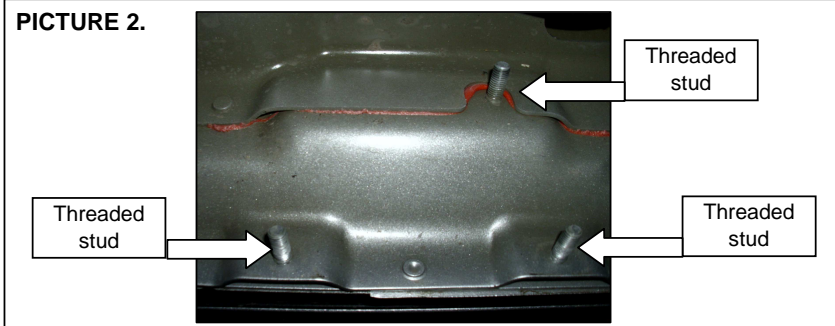


ILLUSTRATION 1.

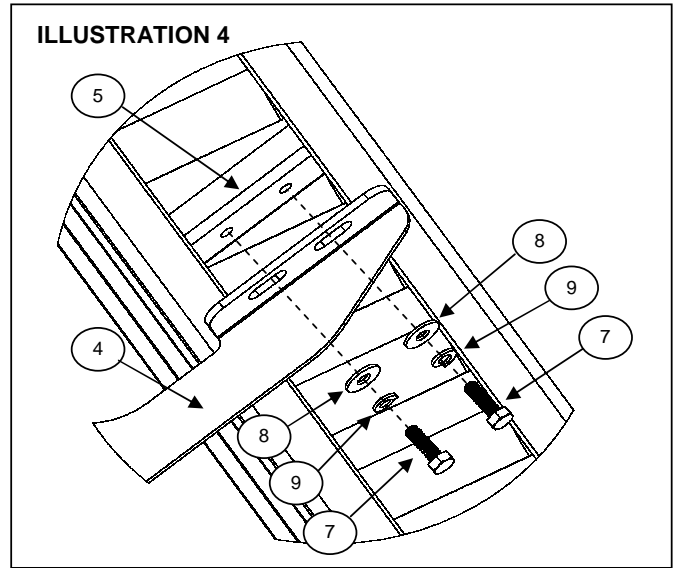
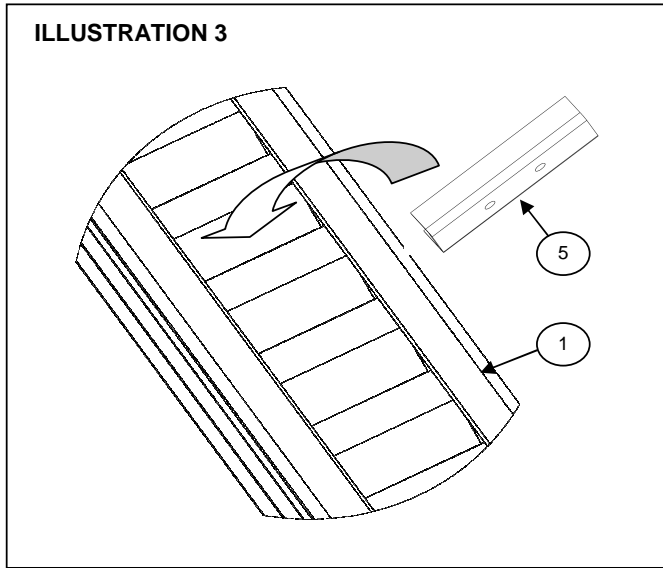


PICTURE 2.



Use 13mm wrench & Ratchet, extension and 13mm socket.

Step-3 Place the U bracket and attach with: 5/16" hex head bolt (black), 5/16" Flat and lock washer (black), by each bracket. **SEE ILLUSTRATION 3 & 4.** Repeat for the opposite side. Leave loose.



Use ratchet & 1/2" hex socket.

Step-4 Align the side bar and then tighten all bolts.

Step-5 Periodically check your product because it may need a re-tighten of bolts.

Step-6 Fill the warranty card and place it inside your vehicle's glove box.