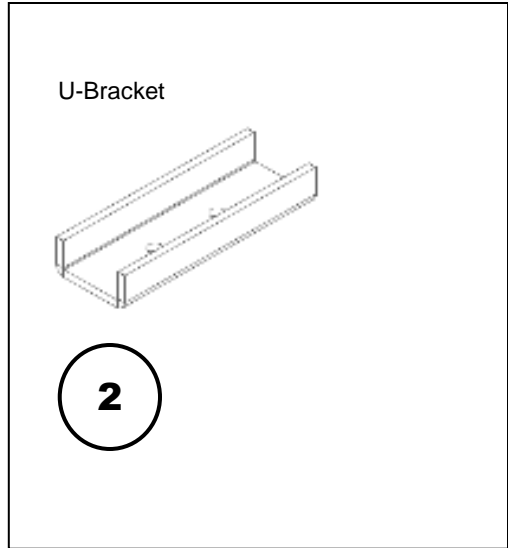
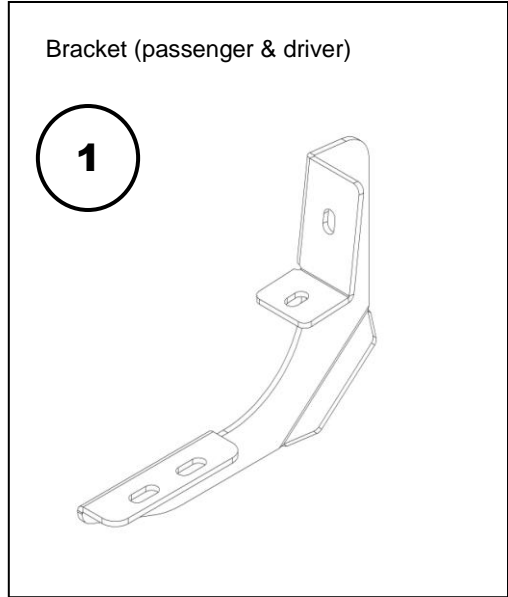


**Installation Instructions**  
**RB10 Running Boards Part Number 63423580T**  
**2015-2016 Chevrolet Colorado & GMC Canyon Crew Cab**  
 Do not attempt to install this product on any vehicle other than the one listed above!

**Parts List**

No.	Qty.	Part #	Description	Torque
1	8	6342354AA	Bracket (passenger & driver)	
2	8	6300874AA	U-Bracket	
3	1	630080T	Passenger Side Step	
4	1	630080T	Driver Side Step	
5	16		M8-1.25 x 25mm Hex Bolt	16 Ft. Lbs
6	16		M8-1.25 Clip-Nut	
7	16		5/16" x 1" Hex Bolt	17 Ft. Lbs
8	32		5/16" Flat Washer	
9	32		5/16" Lock Washer	



**Tool Required:**  
 1/2" & 13mm Socket  
 1/2" & 13mm Wrench  
 Ratchet & Ratchet Extension  
**Approximate installation time: 60 min**

Read the installation instructions completely and verify that all of the parts listed are accounted for. If you have defective, missing or damaged parts or need assistance, please contact *Go Rhino Products* for fast, friendly customer service at: 1-888-427-4466 or email: [warranty@gorhino.com](mailto:warranty@gorhino.com)

## Installation

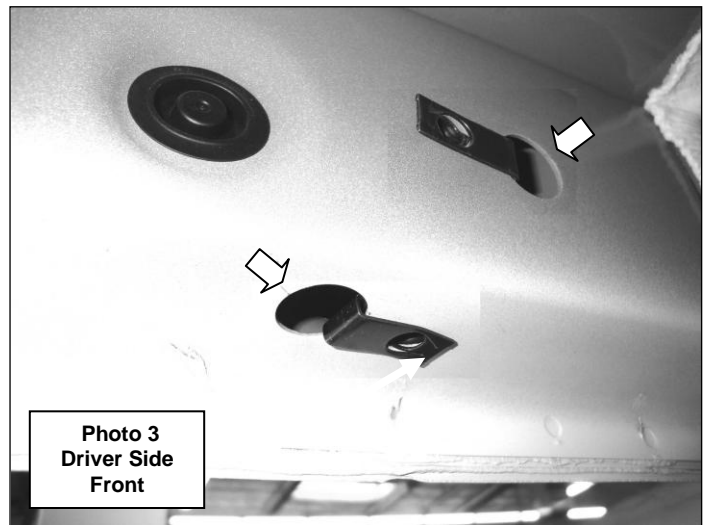
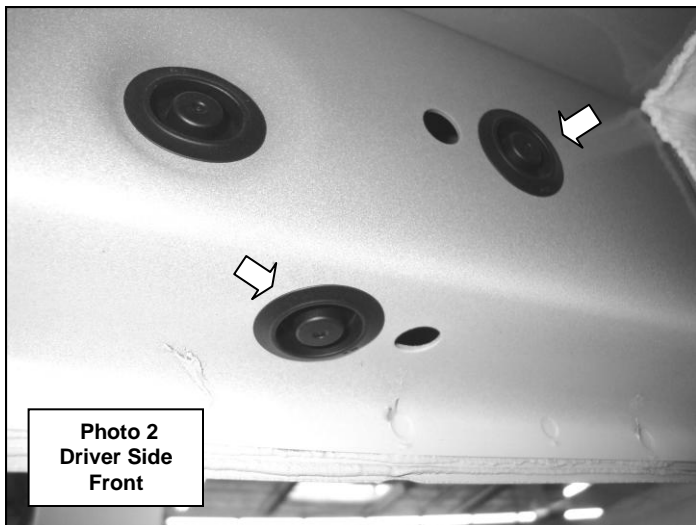
This installation uses 4 brackets per side, (Photo 1).

Photo 1

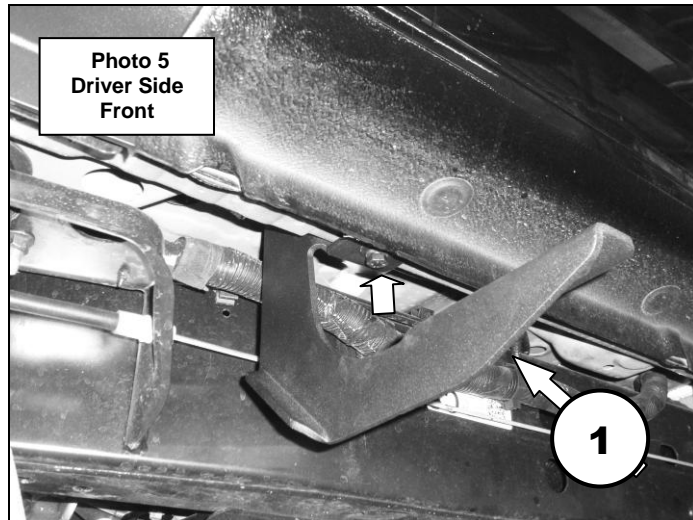
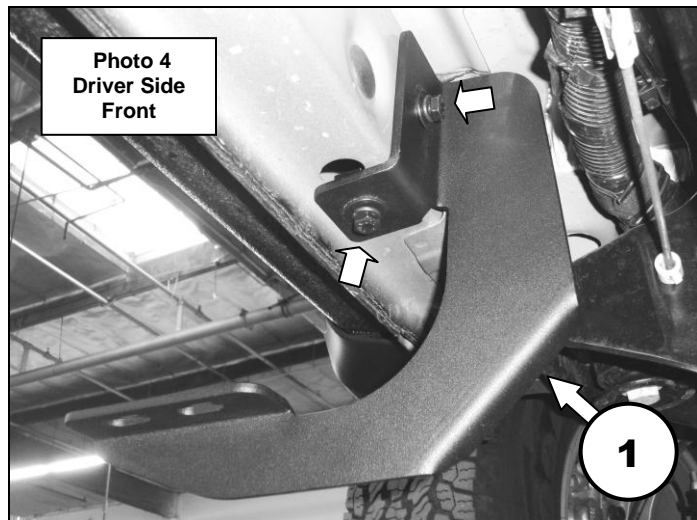


**Step-1** Begin the installation on the driver side. Starting at the front of the vehicle, locate and remove the plastic plugs in the back side and bottom of rocker panel to expose the holes used for placement of the M8 Clip- Nuts, (Photo 2).

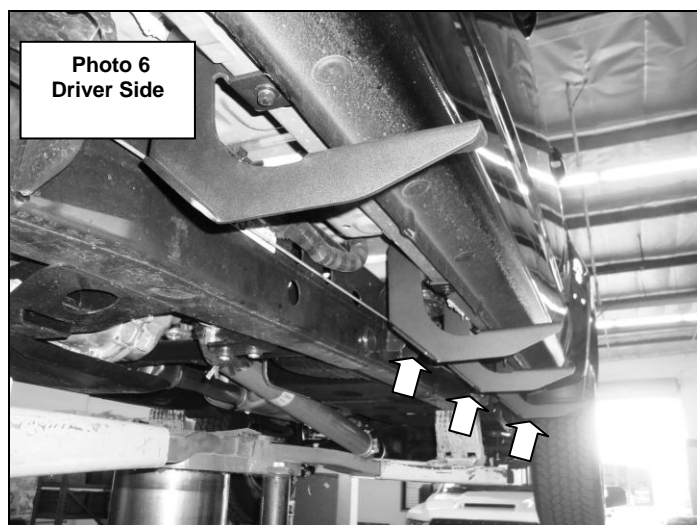
**Step-2** Install M8 Clip-Nuts in the rocker panel with the threaded end centered over the smaller hole, (Photo 3).



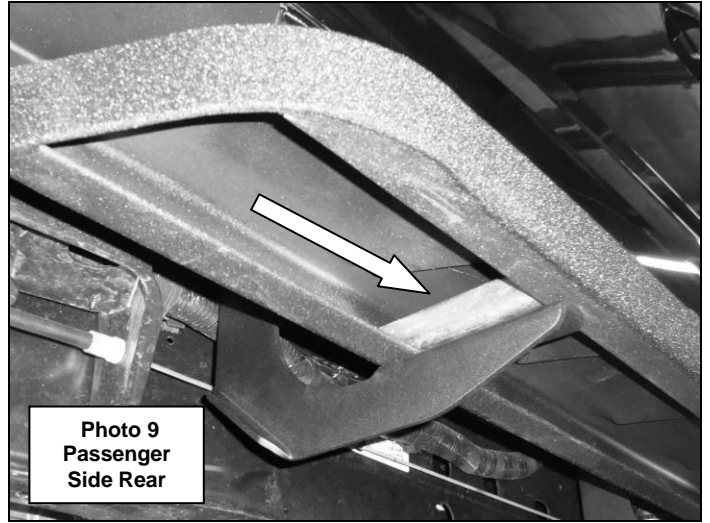
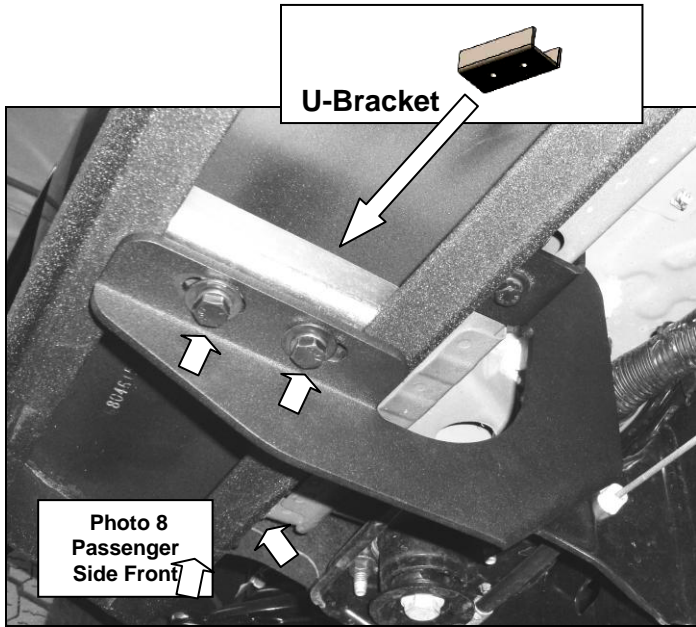
**Step-3** Attach one of the brackets to the rocker panel using (2) M8 hex bolts, (2) 5/16" flat washers and (2) 5/16" lock washers, (Photo 4 & 5). Leave the bolts loose for final adjustment.



**Step-4** Locate the plastic plugs and holes in the rocker panel at the center and rear of the cab, and repeat steps 1-3 to install the 3 additional brackets, (Photo 6 & 7). Leave the bolts loose for final adjustment.



**Step-5** Place the passenger side running board on top of the mounting brackets. Position (4) of the U-brackets inside the running board body, and align the U-brackets with the holes in the brackets. Attach the running board to each mounting bracket using the U-bracket, (2) 5/16" hex head bolts, (2) 5/16" flat washers and (2) 5/16" lock washers, (Photo 8 & 9).



**Step-7** Align the running board with the vehicle and tighten all supplied nuts and bolts securing the running board and bracket assembly. Repeat the installation steps to install the driver side brackets and running board. Remember to check and retighten all bolts periodically.

