

Kit Parts List

<u>DESCRIPTION</u>	<u>QTY.</u>	<u>DESCRIPTION</u>	<u>QTY.</u>
Nitrous Solenoid	1	.024 N20/ Fuel Jet	2
Fuel Solenoid	1	.030 N20/ Fuel Jet	2
8.75" Hose, -3AN, red, .040 ID	8	.040 N20/ Fuel Jet	2
8.75" Hose, -3AN, purple, .086 ID	8	.043 N20/ Fuel Jet	8
24" Hose, -3AN, red, .086 ID	2	.046 N20/ Fuel Jet	2
24" Hose, -3AN, purple, .106 ID	2	.052 N20/ Fuel Jet	2
3' Hose, -4AN, purple	1	.067 N20/ Fuel Jet	2
16' Hose, -4AN, purple	1	.072 N20/ Fuel Jet	2
Direct Port Nitrous Nozzles	8	.105 N20/ Fuel Jet	2
Distribution Block "A"	2	Arming Switch	1
Distribution Block "B"	2	Electronic Throttle Activation TPS Switch	1
Distribution Block Jet Fitting	4	Red 18 GA. Wire	15ft.
¼ NPT to -4 AN Filter Fitting	2	Red 14 GA. Wire	15ft.
-3 AN to 1/8 NPT Fitting	2	30amp Fuse Holder	1
-4 AN to 1/8 NPT Fitting	1	30amp Fuse	1
-4 AN to 1/16 NPT Fitting	1	Bosch 20amp Mini Relay	1
90 deg., -4 AN Swivel Fitting	1	5/16-18 X 1" Bolt for Bottle Brackets	4
10lb. Nitrous Bottle w/Valve	1	5/16 - 18 Nut for Bottle Brackets	4
Bottle Bracket (short)	1	5/16 Flat Washer	4
Bottle Bracket (long)	1	Solenoid Bracket Screws	4
Solenoid Bracket	2	8-32 x 1/2in. Socket Cap Screw	4
.019 N20/ Fuel Jet	8	1/8-27 NPT Tap	1
.021 N20/ Fuel Jet	10	Schrader Valve Removal Tool	1

Why our nitrous system is better

- A complete "Direct Port" nitrous system. Everything is included in this kit for a safe, proper installation.
- Adjustable from 75-300 horsepower. Safe enough for stock engines, powerful enough for racing use.
- Uses one injector nozzle per cylinder. Gives perfect nitrous and fuel distribution.
- Features easy to install, pre-made nozzle flex-lines. No hours wasted on cutting and bending distribution hard-lines.
- Dual-stage jet technology uses one jet in the distribution block and one jet in the injector nozzle. Offers much finer tuning adjustments as well as easy HP level changes.
- The EFI V8 Direct Port Nitrous System is activated at wide open throttle with advanced electronics that monitor your throttle position sensor (TPS). Easy and safe activation, especially with throttle-by-wire systems.

- Unique nozzle design has Active Fuel Control™ built in. This feature monitors bottle pressure and when the nitrous system is engaged, it adds or subtracts enrichment fuel so the engine never runs too rich or too lean.

Quick Start Reference Guide

How the ZEX™ EFI V8 Direct Port Nitrous System works: The ZEX™ 82063 nitrous system begins with a connection to a supply cylinder containing pressurized liquid nitrous oxide and a connection to the engine's fuel system. These connections go to the system's nitrous and fuel solenoids, respectively. These solenoids are normally closed, but are opened when the nitrous system is armed, and the TPS throttle switch is activated by going to wide-open throttle. Once these solenoids open, the nitrous and fuel are delivered to the nozzles, via braided stainless steel delivery lines and billet distribution blocks. The amount of nitrous and fuel that is injected is adjustable by means of metering jets installed in the distribution blocks and the nozzles. These metering jets allow for easy changes in horsepower settings.

Work Safely: Always wear eye protection and gloves when working with lines or hoses that contain pressurized nitrous oxide or fuel. Never transport nitrous cylinders loose in a trunk or the back of a pick-up truck and especially NOT within a vehicle's interior whether the cylinder is full OR empty. Always disconnect the GROUND side of the battery when working on any electrical components.

Nitrous Oxide won't fix problems you already have: Before you install your nitrous system, be sure your engine is in good mechanical condition. Intermittent wiring problems, etc., can lead to erratic system performance and possible engine damage.

Never defeat operation of the safety relief disc in the nitrous cylinder's valve: It's required by law and is there for your safety. Never drill, machine, weld, deform, scratch, drop, or modify a nitrous oxide tank in ANY way whatsoever!

Never overfill nitrous cylinders: That little bit extra will put you and others at risk of injury. More often than not, when the cylinder warms up, the pressure goes above the limit of the safety relief disc and you lose all the nitrous you just paid for.

All the power comes from the fuel, not the nitrous: Nitrous oxide is simply a tool that allows you to adjust how much and how quickly the engine burns the fuel. If the fuel isn't there, the power won't be either.

Avoid detonation at all times: Nitrous enhanced detonation is much more damaging than detonation that occurs when naturally-aspirated due to the increased amount of fuel available for releasing energy and the fact that more oxygen is present.

When system is activated, if something doesn't feel or sound right, BACK OFF: If you hear any detonation or feel anything unusual, get off the throttle. It's a lot easier to check everything over than it is to just try to drive through it and damage expensive parts. Don't activate or have the system activated when you hit the stock rev limiter. The stock rev limiter is a fuel cutoff. If you cut fuel while you're injecting nitrous, you're instantly very lean. This momentary lean condition has the potential of causing engine damage.

Spark plugs and nitrous performance: Quite often, factory type, wide-gap, projected nose spark plugs will produce a detonation condition after a few seconds of nitrous use. The solution to the problem is to install spark plugs that have a colder heat range and proper ground strap design for nitrous use. Consult your preferred spark plug manufacturer to ensure you install the correct plugs for the nitrous level you choose to run. Also, due to the cooler and denser inlet air charge that nitrous creates, it may be necessary to close-up your spark plug gaps to eliminate any misfiring. In our experience, .030 to .035 in. spark plug gaps typically will ensure proper ignition. You may be able to run a wider gap, or you may have to close them up, just be aware of this if you start to experience an ignition misfire when you are using your nitrous system.

Reading Plugs & Tuning ZEX™ Nitrous Kit: If you've installed larger injectors or have otherwise increased the capacity of your fuel system, you need to read the following. Because the real limit of how much power you make with the ZEX™ Nitrous Kit is your car's fuel system, you need to tune up to that limit. Start with the lowest power level nitrous jet and corresponding fuel metering jet. Make a full throttle pass at the drag strip and read the plugs. Not enough nitrous/too much fuel results in a sooty, black plug coloration. This coloration means that the fuel mixture is too rich. Too much nitrous will exhibit high heat in the form of a bluish or rainbow-like coloring on the plug's metal surfaces. This means your engine is about to, or is, detonating. If this is observed, ensure the proper spark plugs are installed, reduce nitrous/increase fuel delivery, and ensure the proper grade of fuel is being used. When you check the spark plugs, check EVERY plug. Don't just spot check the easiest plug you can access. Due to the wide possibility of air/fuel mixture variations, you need to check every single plug for signs of detonation or other problems. If your plugs indicate too much fuel, trim the fuel delivery down by installing smaller metering jets. If you are too lean/not enough fuel, you need to install larger metering jets to increase fuel delivery.

Do not use Teflon sealing tape on any fittings in a ZEX™ Nitrous System: It is easy for Teflon tape to get pulled into the system, causing blockages that can ultimately lead to incorrect nitrous system performance and potentially, engine damage. Only use liquid thread sealer for all NPT type fittings. Do not use any thread sealing compound on AN style threads.

Do not attempt to start your engine if nitrous has been accidentally injected into the engine while it was not running: Disable the ignition, and with the throttle wide open, turn over the engine for several seconds to clear the nitrous from the engine. Failure to do this before restarting the engine can lead to a dangerous intake system backfire.

Do not engage your nitrous system below 2500 rpm: This ensures that you will not have excessive cylinder pressures that could cause engine damage.

When finished using your nitrous system, close the nitrous bottle valve and relieve the line pressure: This eliminates the possibility that nitrous could inadvertently accumulate in the intake manifold while the nitrous system is not being used.

Do Not Run Excessive Bottle Pressures: Excessive bottle pressures, over 1100 psi, are dangerous to your engine. Your ZEX™ nitrous system is calibrated and optimized to operate from 900-1000 psi. Exceeding this will not improve performance. Over 1100 psi also runs the danger of locking the nitrous solenoid closed due to excessive pressure working against the valve's plunger. If this happens, you must cool the nitrous bottle down to lower the pressure. This will allow the valve to operate properly again.

Start with the lowest horsepower setting and work your way up: This ensures if you have any tuning issues to work out on your vehicle, they will get sorted out with a smaller shot of nitrous that will be less likely to damage your engine. Once you have the car working well on the smaller shot, you can then safely start to step up your nitrous kit horsepower.

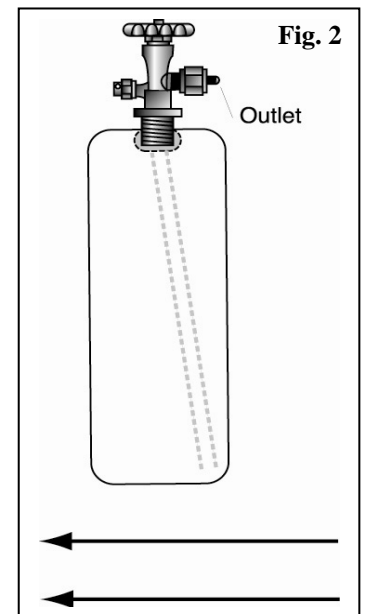
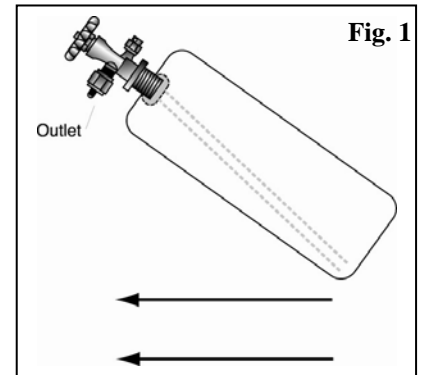
Make sure your vehicle has an adequate fuel supply: Nitrous systems put a large demand on your vehicle's fuel system. Make sure you have a large enough fuel pump to handle the demands of your engine, as well as the nitrous system.

How to adjust power levels: The ZEX™ EFI V8 Direct Port Nitrous System is designed for multiple power levels. Metering jets installed in the nitrous injectors and distribution blocks control these power levels. To change the power output, all you need to do is install the appropriate set of jets. The ZEX™ EFI V8 Direct Port System uses a unique dual stage jetting system. There is a set of jets in each of the distribution blocks and a second set of jets in each of the nitrous nozzles that allows the tuner to further trim nitrous and fuel for individual cylinders. The correct combination of jets is listed on the tune-up sheet on the back of this instruction manual.

Installation Instructions

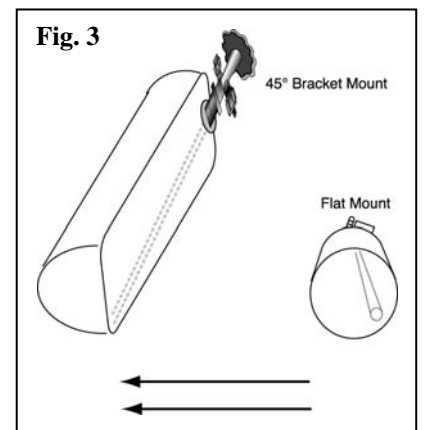
Step 1: Decide where to put everything

Before you start to install the various components of this kit, you'll have to locate the best locations of each component by trial fitment and careful measurement. First, decide where you want to mount the nitrous and fuel solenoids. Remember, the stainless steel braided lines that connect these to the distribution blocks are 24 inches long. Observe and mark the location on each intake runner where you will drill and tap for the nitrous nozzles. You'll also have to decide where to install the arming switch and the nitrous bottle. The arming switch should be installed in a position convenient to the driver, but not in an area where it could be accidentally armed. To help you decide where and how you'll mount the nitrous supply bottle, check fig. 1, 2, 3, and 4 for technical restrictions on bottle mounting locations and positions. Finally, have a reputable performance shop fill your nitrous bottle with automotive grade nitrous oxide before you begin. Do not overfill the nitrous bottle.



Step 2: Mount Nitrous Supply Bottle

1. Mount the nitrous supply bottle so that it is separated from the passenger cabin. Fastback style cars that do not have separate trunk compartments have to be equipped with a safety blowdown tube (ZEX™ Part # 82099). Route the tube from the safety pressure relief cap to the exterior of the car, preferably under the car. Doing so will prevent your car from filling with a cloud of nitrous oxide should the safety pressure relief cap rupture.
2. Index the pickup tube with bottle position. (Refer to fig. 1, 2, and 3). ZEX™ nitrous bottles are designed with the bottom of the siphon tube at the bottom of the bottle towards the outlet. Always mount the bottle so that as your car accelerates, the liquid flows toward the pickup tube.

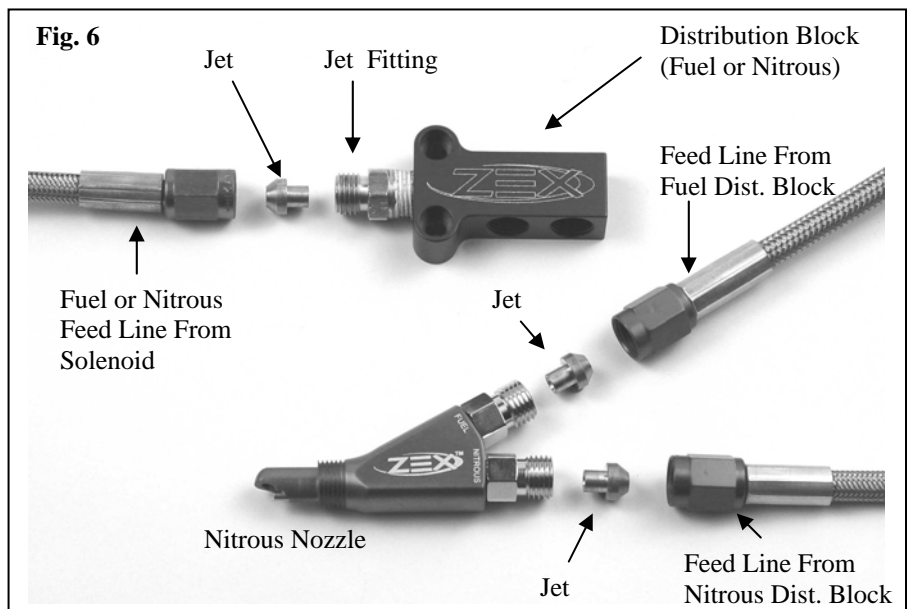
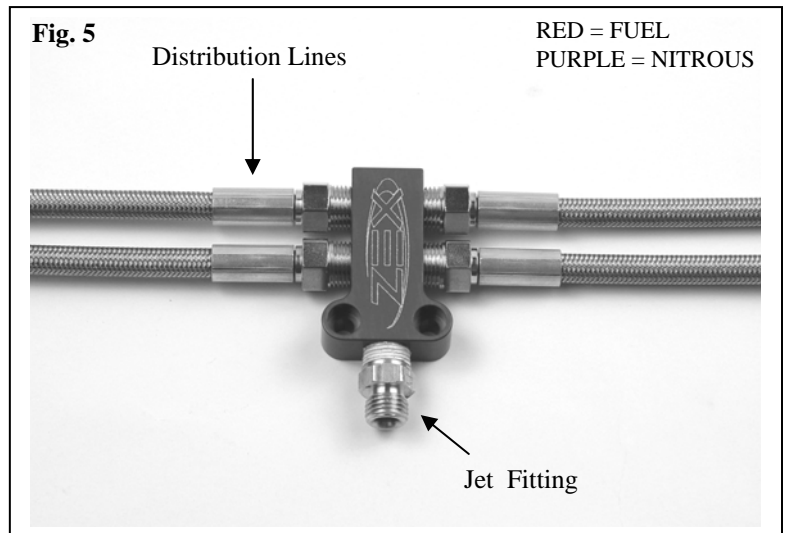
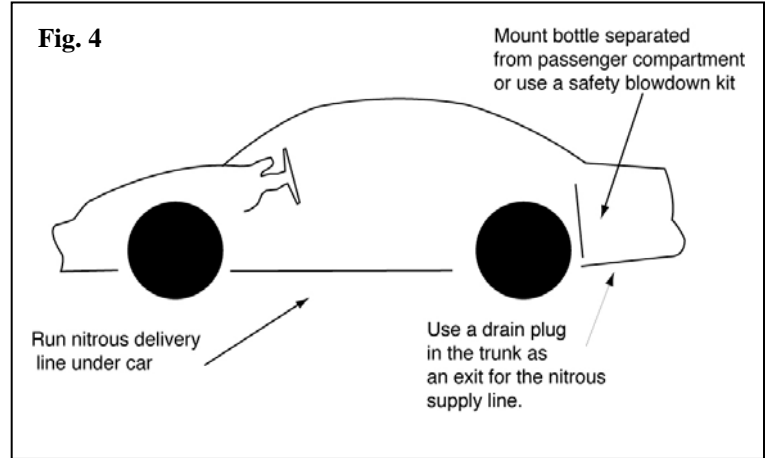


Step 3: Mount Nitrous Delivery Line Under the Car

When routing the nitrous delivery line under the car, try to use the sub-frame as a conduit (fig.4). This protects the line and eliminates the need to use clamps. The supplied cable ties work if you can run the line higher in the under-body so that it's safe from road level obstacles such as speed bumps. For the pro-race look, you can use steel loom clamps with rubber sheathing to fasten the line to the body.

Step 4: Install Injectors and Delivery Lines

1. Remove the intake manifold.
2. Using a 11/32 dia. drill bit, drill each intake runner where you would like to position the nitrous nozzles.
3. Use the 1/8 NPT tap that is included with the kit to tap the holes you have just drilled in the intake runners. Take special care to not tap the holes too deep. It is recommended to tap a few turns at a time, back the tap out, clean out the shavings, and test fit the nozzle to the NPT threaded hole. When all eight holes have been tapped, thoroughly clean and blow out all shavings from the inside of the intake manifold.
4. Using a liquid thread locking compound on the threads, install the nozzles in the threaded holes. Make sure the nozzles are pointing in the correct direction. The outlets should face toward the cylinder head.
5. Reinstall the intake manifold.
6. Assemble the dist. blocks and lines (Fig. 5).
7. Install the jets for both fuel and nitrous in the nitrous injector nozzles (fig. 6).
8. Attach the fuel and nitrous distribution lines to the nitrous nozzles. Be sure to use a 3/8in. wrench to hold the jet fitting as you are tightening the 7/16 swivel nut on the distribution lines.
9. Assemble the -4AN inlet filter fittings and the -3AN tee outlet fittings to the fuel and nitrous solenoids. Make sure you use a liquid thread sealant on all NPT pipe threads. Attach the solenoid brackets to the solenoids using the pan head allen screws and find a suitable mounting location for them.
10. Insert the correct jets in the fuel and nitrous jet holders in the distribution blocks (fig. 6).



11. Attach the 24 in. -3 AN hoses, with the red ends, to the fuel solenoid outlet tee fitting. Attach the other end of these two lines to the two fuel distribution block's jet fittings. Attach the 24 in. -3 AN hoses, with the purple ends, to the nitrous solenoid outlet tee fitting. Attach the other end of these two lines to the two nitrous distribution block's jet fittings.

12. Attach the -4AN nitrous delivery line, from the bottle, to the nitrous solenoid inlet.

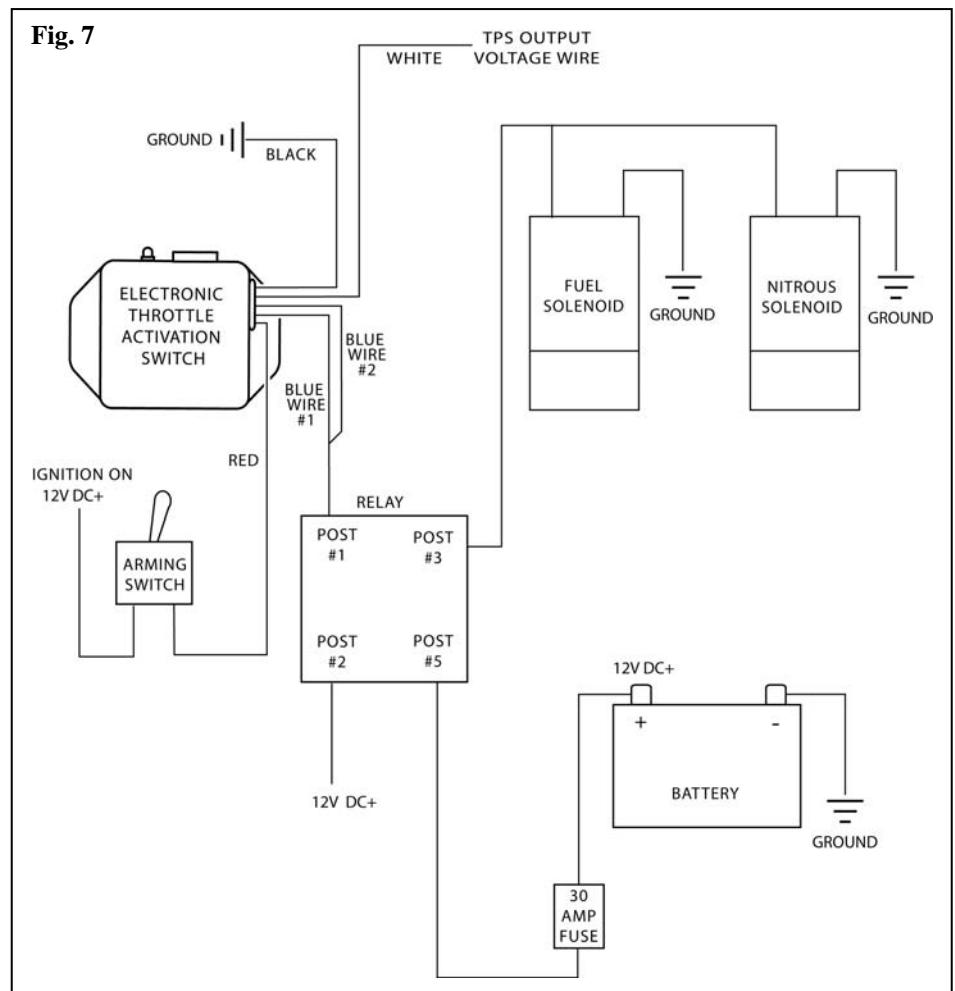
13. Provide a source of fuel from the vehicles fuel rail that will connect to the 3 ft. long -4AN hose. If needed, two different -4AN, NPT fittings are supplied. If the -4AN, 1/8 NPT fitting is to be used, drill and tap the fuel rail for this fitting. Make sure all metal shavings are removed before reinstalling the fuel rail.

14. Attach the 3ft., -4AN fuel delivery line, from the fuel source, to the fuel solenoid inlet.

Step 5: Wiring

1. Mount the arming switch in an easily accessible area for the driver.

2. Using the supplied electrical connectors and wire, refer to the wiring diagram for proper routing and electrical connections for the nitrous system (see Fig. 7). Always use the supplied fuse for electrical system protection in the event of a short in the system. The best positive (+) power source for the nitrous system's solenoids is a direct connection from relay post #5 to the battery's positive (+) post. Do not splice into the factory wire harness, it will not have the ability to supply the current required by the nitrous and fuel solenoids.



3. The next step is to program the Electronic Throttle Activation Switch.

To begin, turn the vehicle's ignition on, but do not start the engine. Turn the nitrous arming switch to the "ON" position. Go to the Electronic Throttle Switch (ETS) and locate the push-button. Depress, then release, the push-button switch. Observe the ETS Operation Light. At this point, it should be RED. This RED light informs

you that the ETS is in learn mode. Return to the driver's seat and depress the accelerator pedal to the floor, holding it there for ten seconds. Release the accelerator pedal and go back to the ETS and observe the Operation Light. At this point, the light should be flashing continuously from RED to GREEN to OFF. This is the ETC's way of telling you that it has successfully learned the voltage curve of your engine's throttle position sensor. Go back to the driver's compartment and turn off the system's arming switch, then turn it back on. Go back to the ETC and observe the Operation Light. It should be solid GREEN at this point. This informs you that the system is armed and ready to activate at wide-open throttle. Return to the driver's seat and depress and release the accelerator pedal several times. You should hear the solenoids click each time you reach wide-open throttle. At this point, your Activation Switch is fully programmed and ready for use. If you ever transfer your nitrous system to another vehicle, perform this same procedure on the new vehicle to "relearn" the Throttle Activation Switch.

Step 6: Check Fuel and Nitrous Pressure Lines

1. Perform a final inspection of all plumbing and electrical connections to ensure that they are correct.
2. Ensure that the nitrous bottle is turned off and the line pressure is relieved.
3. Start the engine and observe all fuel connections for any leaks. Fix any fuel leaks before proceeding.
4. Turn off the engine.
5. Open the nitrous bottle valve. Listen carefully for any leaks as your valve is opened. Leaks in the nitrous supply line will be obvious because they will be covered in frost.
6. If everything checks out, close the nitrous bottle and relieve the line pressure.

Step 7: Check Fuel Quality & Ignition Timing

The last thing to do before enjoying your new nitrous system is to ensure that premium fuel (92 R/M Octane or better) is in the fuel tank and that your ignition timing is set correctly. All recommended ignition timing retard amounts, on the Tune-Up Sheet, are calculated off of the base, stock ignition setting. It is important to set this with a timing gun before you use your nitrous system for the first time. Do not assume that it is set properly. If the ignition timing is not set correctly, severe engine damage may occur.

Step 8: Enjoy!

After everything has been checked over and properly set-up, turn on the nitrous bottle and enjoy your ZEX™ Nitrous System.

ZEX™ #82063 Nitrous System Tune-Up Sheet

	75hp	125hp	175hp	200hp	250hp	300hp
Nitrous (950psi)						
Nozzle Jet	21	21	21	43	43	43
Distribution Block Jet	30	40	105	52	67	105
Fuel (40psi)						
Nozzle Jet	19	19	19	19	19	19
Distribution Block Jet	21	24	30	33	46	72
Ignition Retard (deg.)	0	4	6	8	10	12

Normally aspirated tuning requirements:

For engines less than 10.00-1 compression ratio, using nitrous system settings of 125hp or less, pump premium fuel is required for safe operation of your ZEX™ EFI V8 Direct Port Nitrous System. For engines with 10.00-1 compression ratio or greater, using nitrous system settings higher than 125hp, high octane racing fuel is required for safe operation of your ZEX™ EFI V8 Direct Port Nitrous System. Nitrous system fuel pressure must be at least 38 psi at the inlet of the fuel solenoid for all applications. Base fuel pressures higher than 42 psi may require a slight distribution block fuel jet or nozzle fuel jet adjustment to achieve optimum nitrous to fuel ratios. Track or dyno tuning will dictate this.



3406 Democrat Road

Memphis, TN, 38118

888-817-1008