

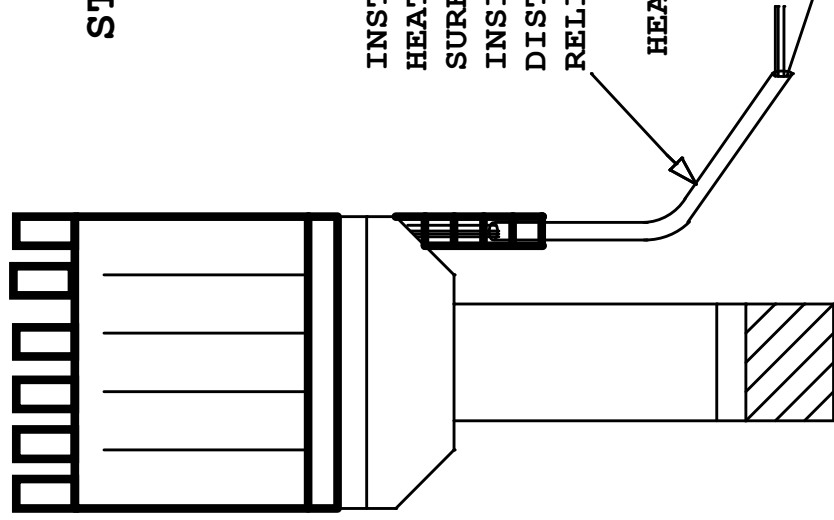
REVISION HISTORY

REV	DESCRIPTION	DATE	NAME
A00	Initial Design	3/1/07	RJT

STEP #1

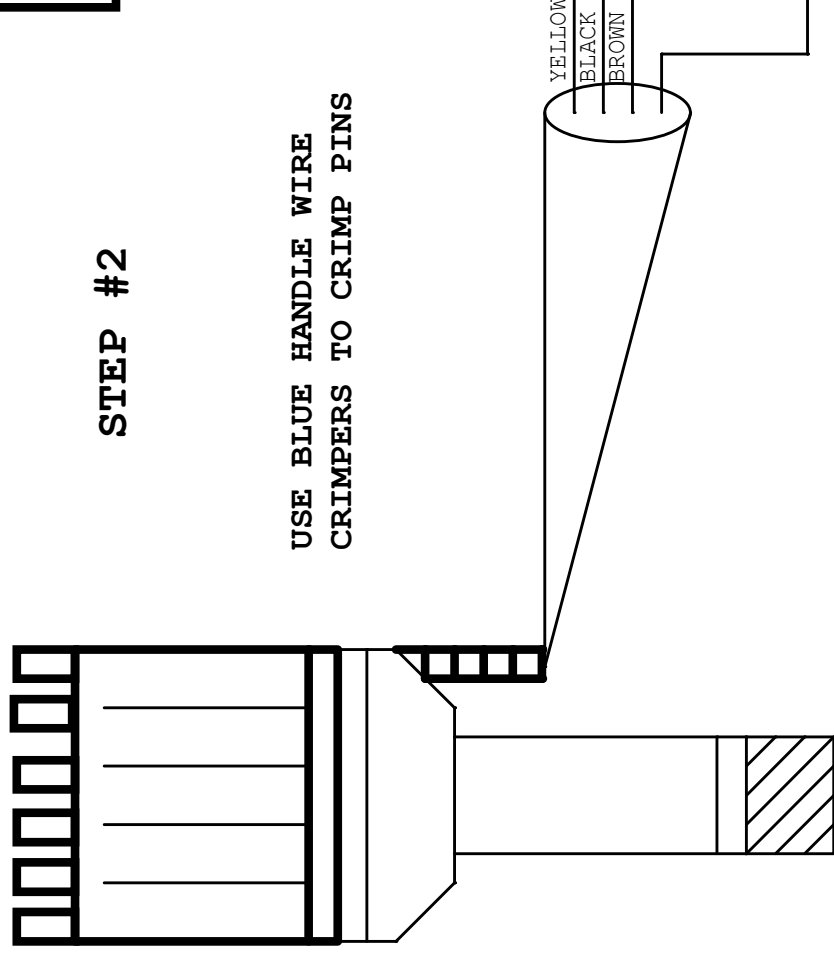
INSTALL 16" OF HEATSHRINK. MAKE SURE TO SLIDE IT INSIDE THE DISTRIBUTOR'S STRAIN RELIEF.

HEATSHRINK: 170049



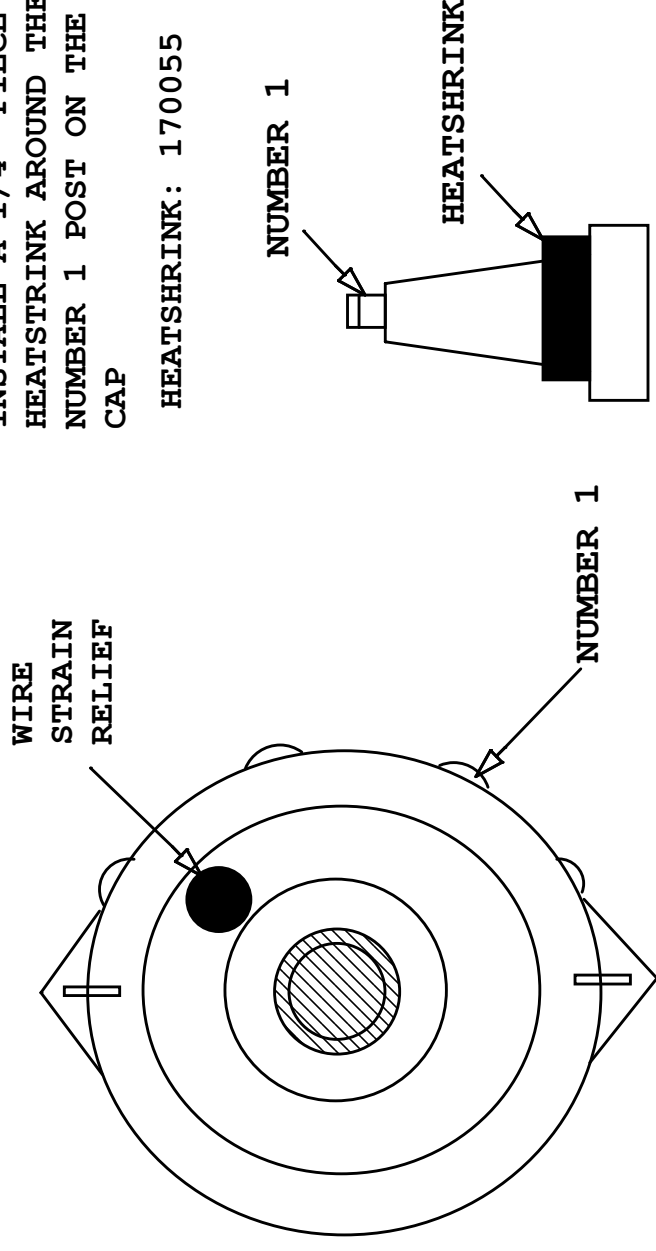
STEP #2

USE BLUE HANDLE WIRE CRIMPERS TO CRIMP PINS



INSTALL A 1/4" PIECE OF HEATSHRINK AROUND THE NUMBER 1 POST ON THE CAP

HEATSHRINK: 170055



VIEW FROM BOTTON OF DISTRIBUTOR

- (1) CONNECTOR: 170264
- (5) RUST SEALS: 170087
- (1) LOCK: 170213
- (3) TERMINAL: 170557
- (3) BLUE SEALS: 170558

FAST

FUEL AIR SPARK TECHNOLOGY

3753 Old US23, Suite 300, Brighton, MI 48114

Ford302 Distributor Connector Installation

Title	Ford302 Distributor Connector Installation	
Size	Document Number	Rev
A	305007	A00

Date: Wednesday, May 16, 2007 Sheet 1 of 1