

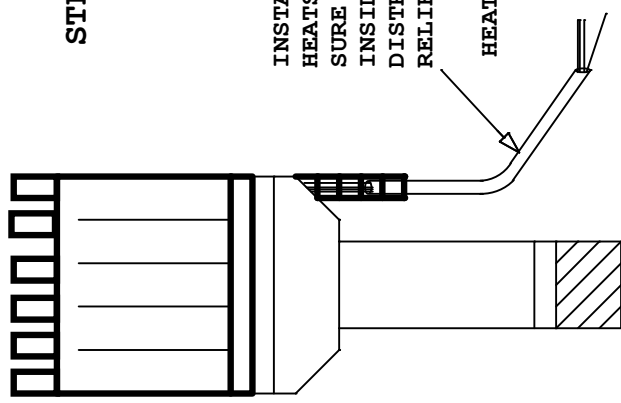
REVISION HISTORY

REV	DESCRIPTION	DATE	NAME
A00	Initial Design	6/25/07	RJT

STEP #1

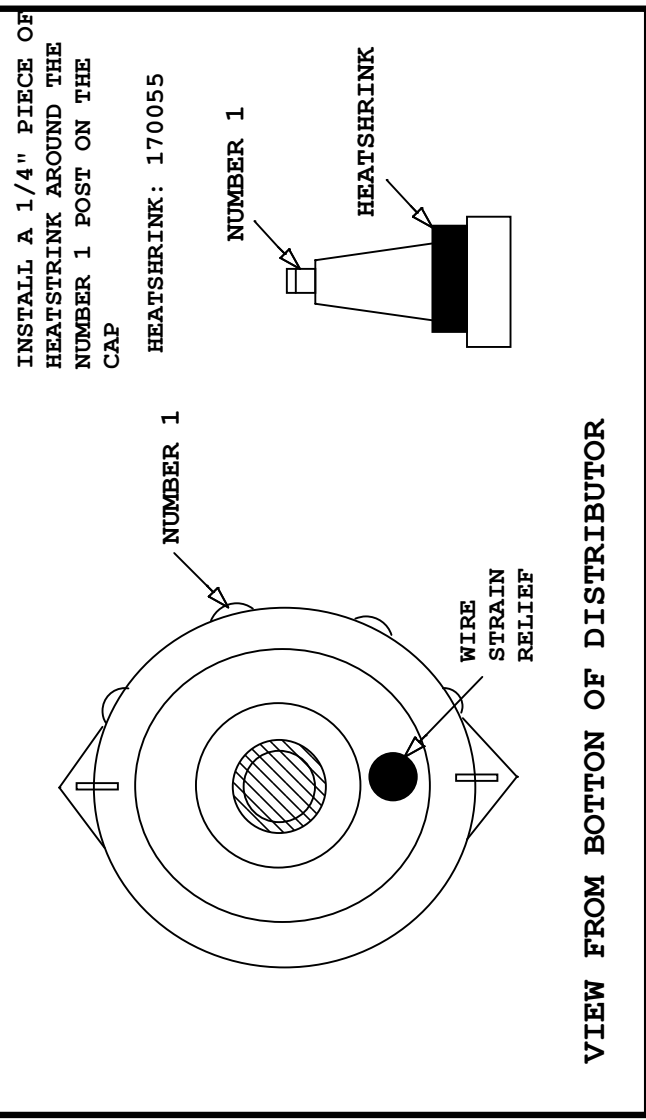
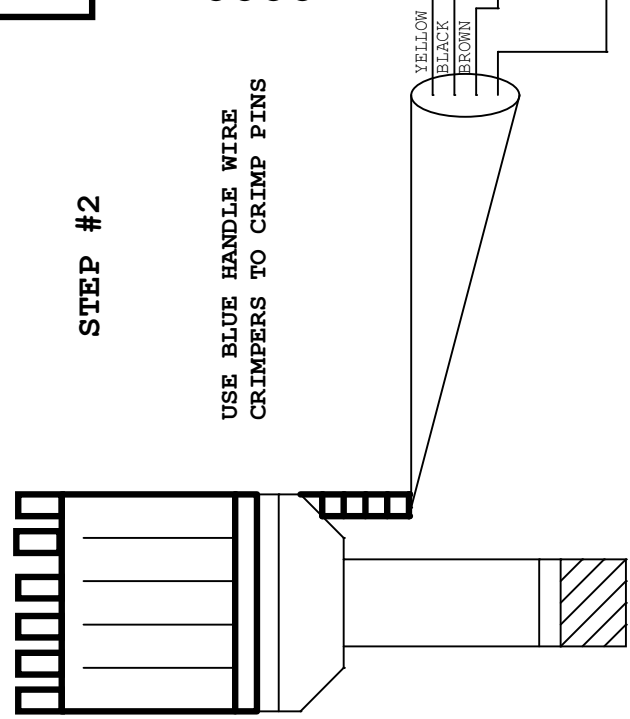
INSTALL 16" OF HEATSHRINK. MAKE SURE TO SLIDE IT INSIDE THE DISTRIBUTOR'S STRAIN RELIEF.

HEATSHRINK: 170049



STEP #2

USE BLUE HANDLE WIRE CRIMPERS TO CRIMP PINS



VIEW FROM BOTTOM OF DISTRIBUTOR

- (1) CONNECTOR: 170264
- (5) RUST SEALS: 170087
- (1) LOCK: 170213
- (3) TERMINAL: 170557
- (3) BLUE SEALS: 170558

FAST

FUEL AIR SPARK TECHNOLOGY

3753 Old US23, Suite 300, Brighton, MI 48114

Title: Ford FE Distributor Connector Installation

Size	Document Number	Rev
A	305010	A00

Date: Monday, June 25, 2007 Sheet 1 of 1