



dB Performance Exhaust System Installation
Cat-Back Exhaust System
 2011 Chevy/GMC Silverado/Sierra 2500HD 6.0L
 Single Side Exit w/ 4.0" Slash Cut Polished Tip
 24790, 24792, 24794, 24796, 24798

Please take time to read and understand these installation instructions.

We recommend that the installation of this system be performed by a qualified service center or professional muffler installer who has the necessary equipment, tools and experienced personnel. However, if you decide to perform this install, the use of a hoist and an additional person will be required.

CAUTION: Never work on a hot exhaust system. Allow time for the vehicle to cool. Always wear eye protection when working under a vehicle.

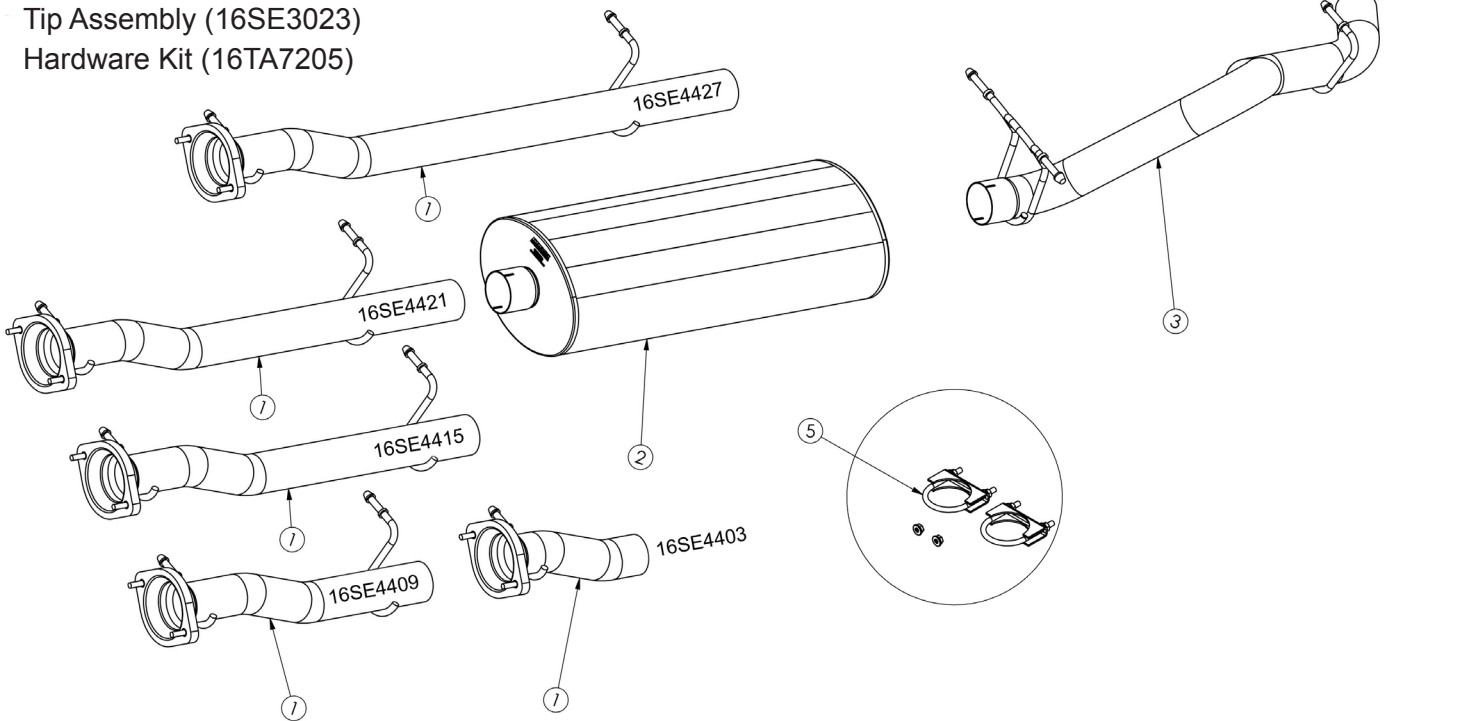
Please confirm that all parts are present before beginning the factory exhaust system removal and dB Performance Exhaust system installation.

Single Side Exit Bill of Materials:

- 1 Headpipe Assembly:
 16SE4403 - 133.7" WB
 16SE4409 - 144.2" WB
 16SE4415 - 153.7" WB
 16SE4421 - 158.2" WB
 16SE4427 - 167.7" WB
- 2 Muffler Assembly (16SE2026)
- 3 Tailpipe Assembly (16SE4433)
- 4 Tip Assembly (16SE3023)
- 5 Hardware Kit (16TA7205)

Recommended Tools:

- Safety Glasses
- Small flat head screw driver
- 15mm socket and ratchet
- Chain style pipe cutter or reciprocating saw
- Grommet pullers
- Spare tire removal kit
- Soapy water
- Torque wrench



Removal of Stock System:

- 1) Remove the rearmost hanger from the grommet using grommet pullers or similar device. (See Fig. A)
- 2) Use a 15mm socket and ratchet to remove the flange nuts at the flange connection of the headpipe. Then remove the hangers at the headpipe location and the hanger after the muffler. Remove the tunnel muffler section away from the vehicle. This completes the removal of the stock system. (See Fig's B, C, D & E)



Fig. A



Fig. B



Fig. C



Fig. D



Fig. E

Installation of dB Exhaust System:

NOTE: The supplied double edge clamps in this system will crush and permanently deform the exhaust piping as they are tightened. **DO NOT** tighten these clamps any more than is necessary to lightly hold the exhaust components in place, until the very end of this installation process. It will be difficult or impossible to make any positional or rotational adjustments to the exhaust system after these clamps have been tightened down.

VERY IMPORTANT: Align all clamps so that the open edge of the clamp bracket is parallel and aligned with the notch in the pipe, and the outside edge of the clamp bracket is approximately 1/8" from the end of the pipe expansion. (See Fig. 1) Failure to properly position or orient the clamps could result in a weak clamping load, or even a potential leak at the clamp joints.

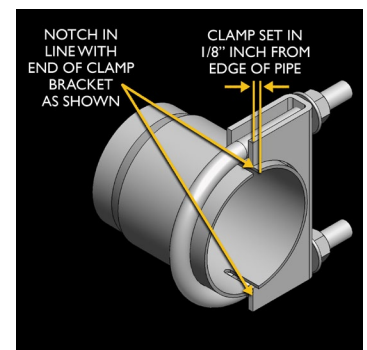


Fig. 1

- 1) Locate the dB Head Pipe assembly and slide the flange studs into the factory flange. Use the nuts supplied with the dB hardware kit and evenly tighten down to 45 Ft-lbs. Insert the hanger(s) in to the factory grommet(s). (See Fig's F, G & H)
Note: Using a soapy solution on the grommet hole will make the job easier.



Fig. F



Fig. G

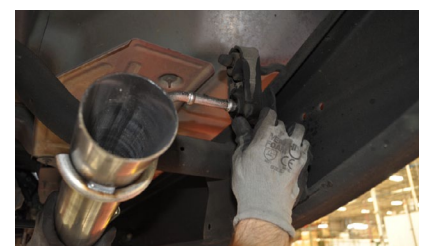


Fig. H

- Slide a supplied 3" clamp over the inlet of the dB muffler. Make sure the drain hole is facing down. Slide the muffler onto the Head Pipe and pre-tighten the clamp. (See Fig's I, J, K & L)



Fig. I



Fig. J

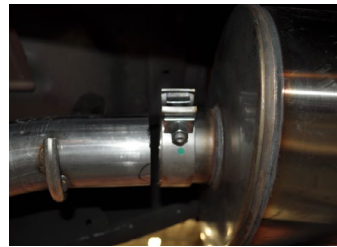


Fig. K



Fig. L

- Locate Tail Pipe and slide a supplied 3" clamp over inlet end. Then route the inlet end over the axle housing, slide over Muffler outlet (See Fig M) and snug fit clamp. The Tail Pipe hangers can now be inserted into rubber grommets (See Fig N).
- Insert Tail Pipe rear hanger into rubber insulator (See Fig O).
- Locate dual 4" Pro-Series tip assembly and slide a supplied 3" clamp over inlet. Next slide assembly over Tail Pipe (See Fig. P) and snug fit clamp.
- Check for clearance from the front of the installed exhaust system to the Tail Pipe. Once clearance adjustments are made, start tightening each 3" clamp beginning with the Intermediate Pipe clamp.
- Check alignment of tips first using a level (See Fig. Q) and be sure to allow clearance between the top of the Tip Assembly and the body panel. Make necessary adjustments, including fore and aft, and begin tightening each clamp as noted in Fig. R. Starting from the muffler inlet and working back, tighten all the clamps to **35 ft-lbs.** Tip clamp torque setting: **16-20 ft-lbs.**
- It is **STRONGLY SUGGESTED** that all clamps be checked and tightened if necessary after road testing the vehicle and only after system has cooled.

NOTE: During cold weather start-ups, you may experience an exhaust sound that is deeper and louder in tone than usual. This is temporary and will diminish to normal levels once your engine has reached its normal operating temperature.
NOTE: Immediately following the installation of your exhaust system, you may experience a trace of smoke after initial start-up. DO NOT be alarmed. The smoke is caused by the burning of a small amount of forming oil residue used in the manufacturing process.

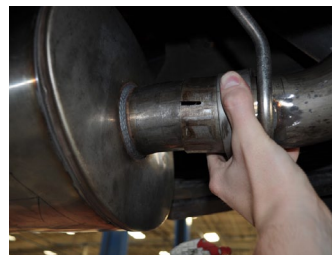


Fig. M

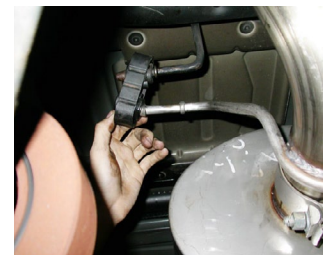


Fig. N



Fig. O



Fig. P



Fig. Q

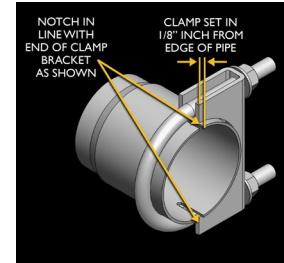


Fig. R